

SANDRINGHAM

BATHROOM & KITCHEN FITTINGS



- S7031 Basin pillar taps
- S7032 Bath pillar taps
- S7929 Kitchen pillar taps
- S7372 Basin mixer - 1 hole with pop-up waste
- S7371 Basin mixer - 1 hole with weighted chain
- S7658 Bath filler - 2 hole
- S7659 Bath shower mixer - 2 hole
- S7928 Kitchen twin flow swivel spout - 1 hole
- S7927 Kitchen twin flow swivel spout - 2 hole

*Armitage
Shanks*

INSTALLER:

After installation please pass this instruction booklet to user

2 WATER SUPPLIES & BACKFLOW PROTECTION

The fittings covered by this installation and maintenance instruction should be installed in accordance with the water regulations published in 1999*, therefore American Standard would strongly recommend that these fittings are installed by a professional installer

Connections

Basin & Kitchen pillar taps	G ½
Bath pillar taps & two hole fittings	G ¾
Basin & Bidet	10mm rigid copper tails
Kitchen monoblock	Flexible tails with 15mm compression connectors
Kitchen twin flow 2 hole fittings	G ½

Bidet fittings are designed to operate in the pressure range 0.2 bar to 5.0 bar. To ensure safety with bath and bidet mixers installed on low pressure tank fed systems

For all mixer fittings it is strongly recommended that the cold water feed from the storage tank is connected below the feed to the hot water storage cylinder.

IMPORTANT NOTE
It is recommended that these fittings have the cold water supplies connected on the right and the hot supplies on the left when facing the fitting

Backflow protection

The water regulations published in 1999* take a new approach to backflow in that they look at different categories of risk.

The installer must assess the risk from the various categories of fluid in adjacent appliances before determining the level of backflow protection required for a particular installation.

A separate leaflet entitled:

Supplementary guidance on back flow prevention when installing bath shower mixers E965049

which is packed with every bath shower mixer gives full details of this requirement.

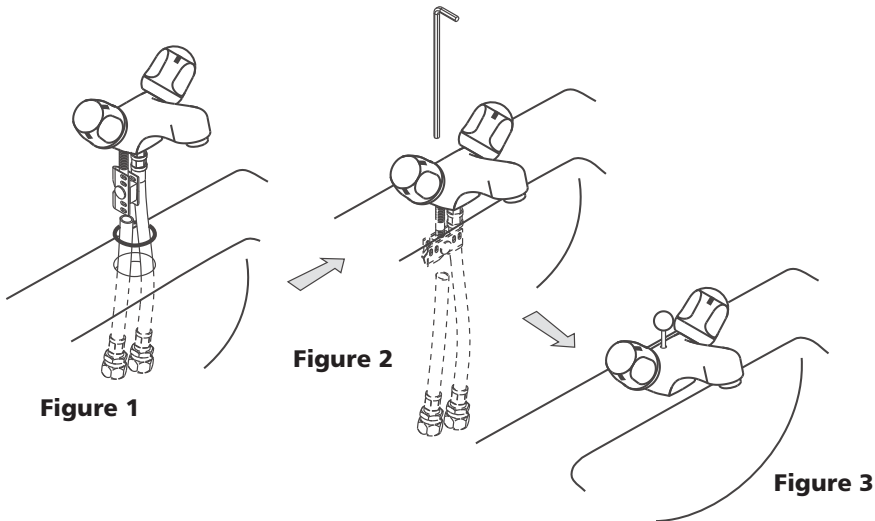
Water Supplies

All Sandringham fittings are designed for installation on normal UK low pressure storage tank fed systems or unvented high pressure systems. With mixers it is a requirement that hot and cold supply pressures be reasonably balanced and from a common source, i.e. both from a low pressure gravity fed system or both from a high

pressure unvented system.

Basin and bath fittings are designed to operate in the pressure range 0.1 bar to 5.0 bar.

*A guide to the Water Supply (Water fittings) Regulations 1999 and the Water Byelaws 2000, Scotland is published by WRAS (Water Regulations Advisory Scheme) Fern Close, Pen-y-Fan Industrial Estate, Oakdale, Newport, Np11 3EH. ISBN 0-9539708-0-9



Basin / Bidet Monoblock Mixer

Connect fixation bracket to the underside of the mixer body by 2 - 3 threads only

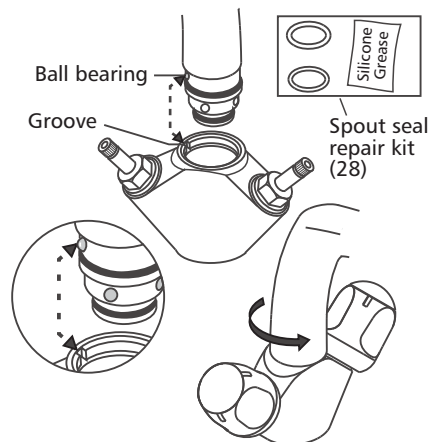
THIS IS A LEFT HAND THREAD.

- Ensure fixation bracket is also only engaged by 2 - 3 threads.
- Connect the two inlet tails to the underside of the mixer body.
- Hold the fixation bracket in the vertical position and place through the tap hole ensuring that the 'O' ring remains above the platform as this acts as a watertight seal between the two surfaces, (Figure 1).
- Once positioned correctly, tighten the fitting using the Allen key provided. (Retain the Allen key for future use).
- Once tightened, position the vertical waste rod through the same vertical hole and connect this to the horizontal rod using the connector provided, (Figures 2 & 3).

Fitting the swivel spout

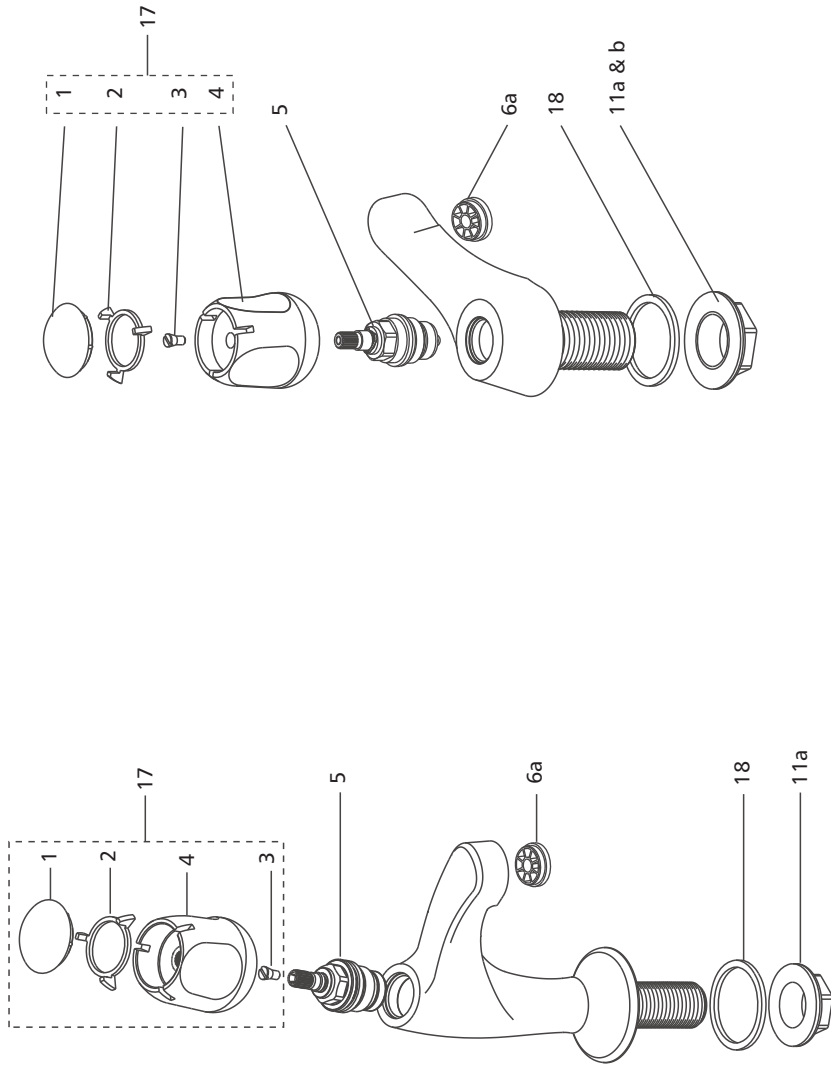
The kitchen fittings are delivered with spouts disassembled. Fixation of the spout to the body employs the bayonet principle

- Position the spout with the outlet nozzle facing the 10 o'clock position so that the ball bearing engages with the groove in the body Fig 4
- Push the spout firmly down until it is fully home and turn it to the facing position.



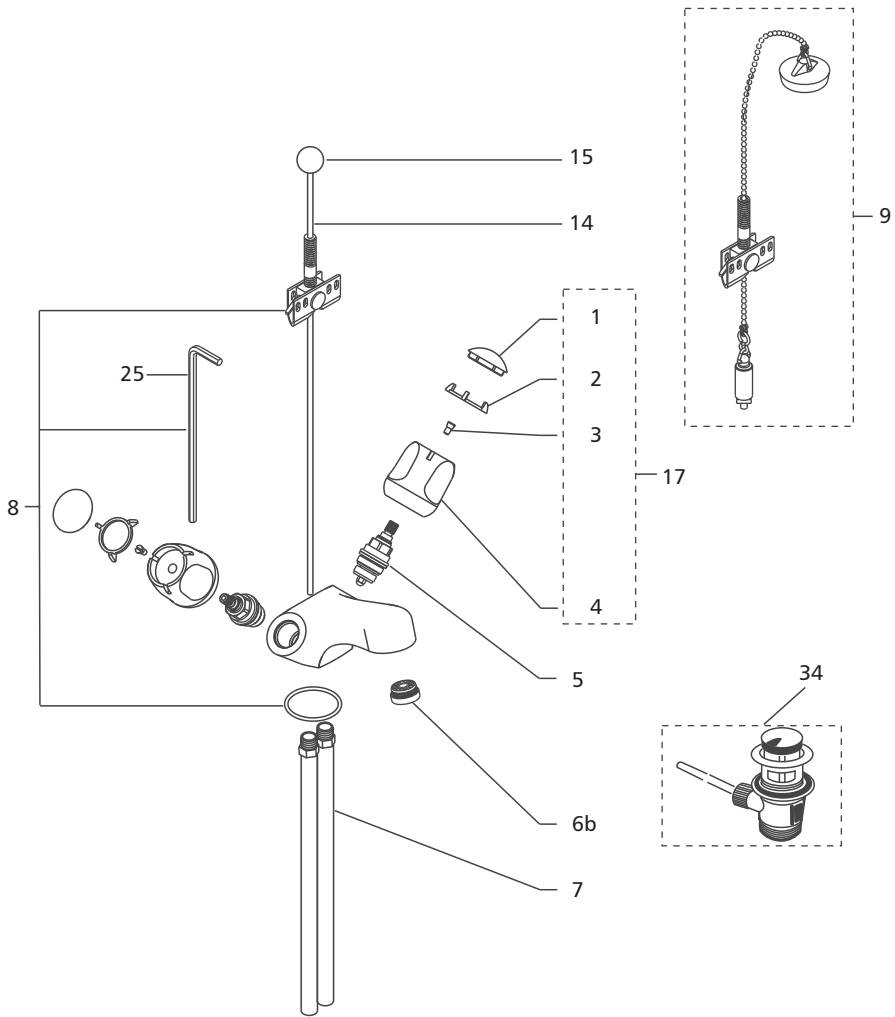
4

BATHROOM & KITCHEN PILLAR TAPS



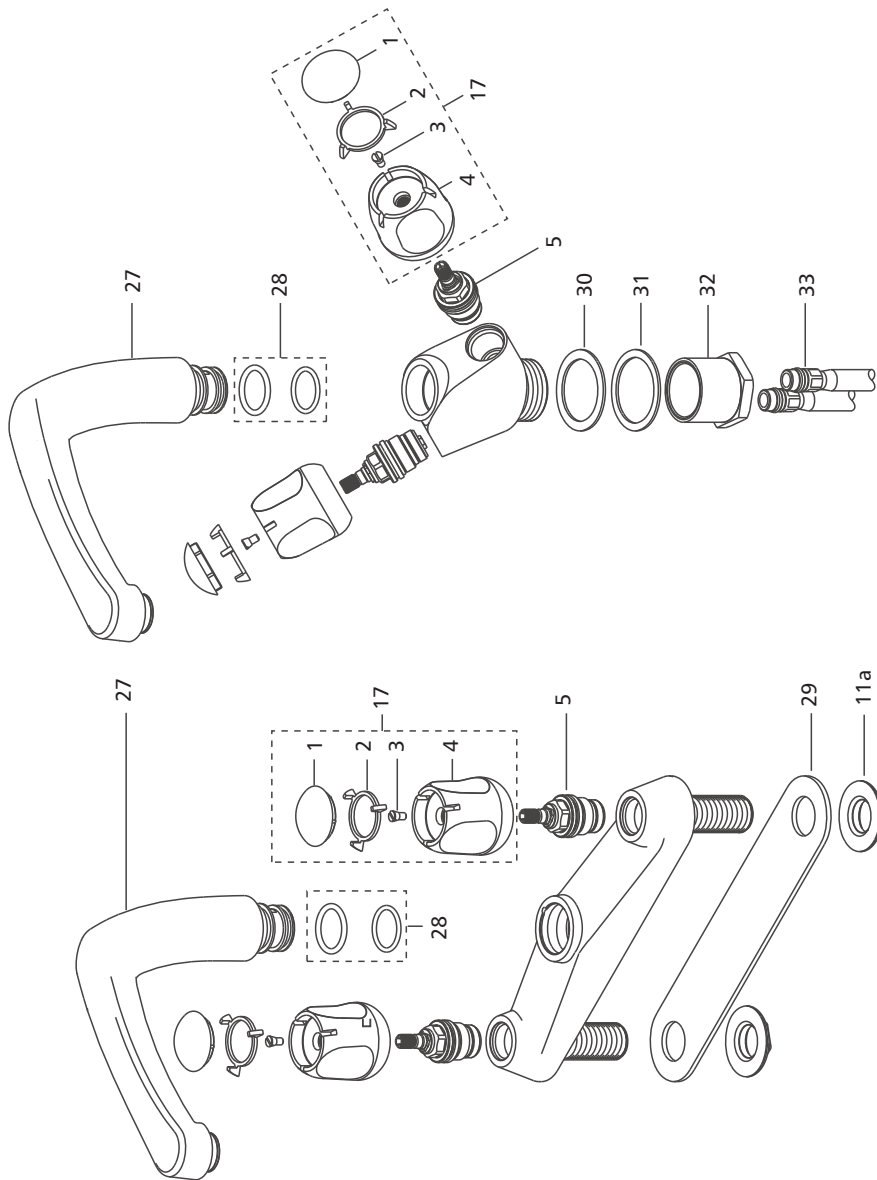
S7031 Basin pillar taps
S7032 Bath pillar taps

S7929 Kitchen pillar taps



S7372 Basin monoblock with pop-up waste
S7371 Basin monoblock with plug & weighted chain

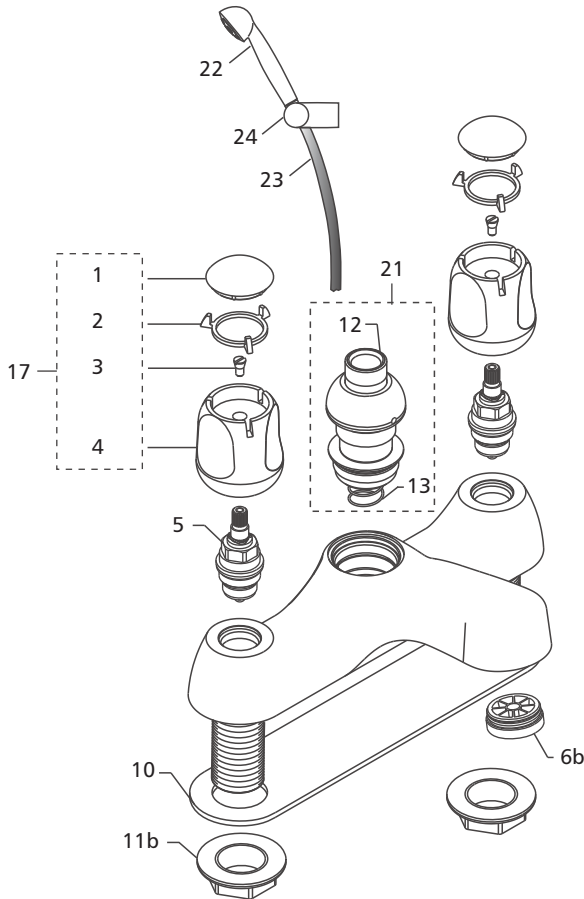
6 KITCHEN TWIN FLOW FITTINGS WITH SWIVEL SPOUT



S7928 Kitchen monoblock with twin flow swivel spout
S7927 Kitchen two hole with twin flow swivel spout

BATH FITTINGS AND PARTS LISTS

7



S7658 Bath filler - 2 hole & S7659 Bath shower mixer 2 hole

Ref. Description	Ref. Description
1 Handwheel cap	15 Pop-up knob
2 Index ring	17 Pair of handles complete
3 Fixing screw M4	18 Rubber Washer - singles
4 Handwheel body	19 Seating washers set of four
5 Rubber valve internal headwork	21 Divertor complete
6a Flow straightener S	22 Hand spray
6b Flow straightener L	23 Flexible hose 1.35m
7 Inlet tail 10mm copper	24 Showering station
8 Top Fixing kit	25 5 A/F Allen key - long
9 Beaded chain assembly	27 Swivel spout complete
10 Bath mixer gasket	28 Swivel spout repair kit
11a Back nut 1/2in	29 Kitchen deck sealing gasket
11b Back nut 3/4in	30 Kitchen monoblock sealing ring
12 Divertor	31 Slip ring
13 Divertor Spring	32 Kitchen monoblock reversible nut
14 Pop-up rod - two part	33 Flexible inlet tail - 15mm connector
	34 Pop-up waste

Fitting the Handwheels

Sandringham fittings are supplied with the handwheels already fitted.

To remove the handwheel, prise off the cover (1) using a small screwdriver or small sharp penknife blade taking care not to damage the chrome plating. Lift off the index ring (2).

Unscrew the screw (3) and the handwheel (4) then will pull off.

To replace, push the handwheel onto the splines of the cartridge spindle (5) taking care that they engage correctly.

Replace and tighten the screw (3).

Replace the index ring (2) so that it engages in the slots

Finally snap on the cover. This may require a light tap with the palm of the hand.

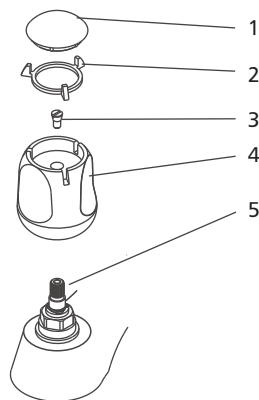


Figure 4 Handwheel fixation

*Armitage
Shanks*

Armitage Shanks
The Bathroom Works,
National Avenue,
Kingston upon Hull,
HU5 4HS,
England.
Telephone: (01482) 346461
Telefax: (01482) 445886.

CUSTOMER CARE HELPLINE
0870 1296085
FAX LINE 01482 499611
e mail : ukcustcare@IdealStandard.com

Armitage Shanks pursues a policy of continuing improvement in design and performance of its products. The right is, therefore, reserved to vary specification without notice.

Ideal Standard (UK) Ltd.

4356 03/08

E96543300