

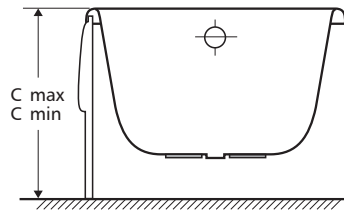
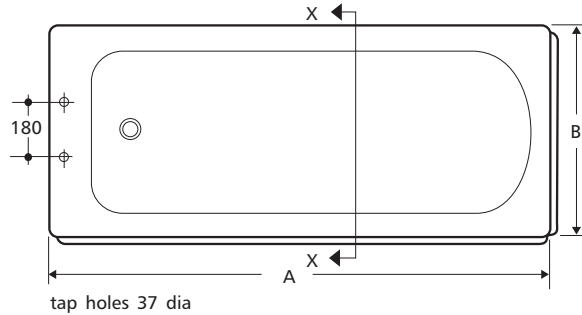
IDEALFORM ACRYLIC BATHS



Installation Instruction

4025 06/09
EE72528467

TECHNICAL INFORMATION



Section X - X

Fig. 1

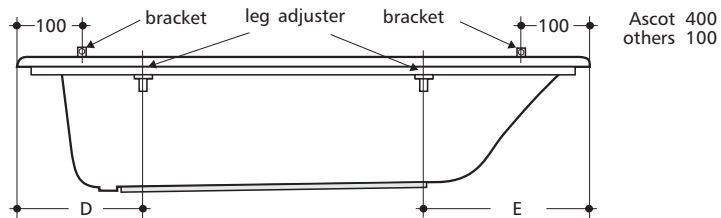


Fig. 2 centres of leg adjusters

All dimensions shown in millimetres.
Dimensions shown may vary within permitted tolerances.

Special Note :

Chloe : Suitable for monoblock tap units (corner fixing)

BATH CONDITION

Before commencing installation, carefully remove packaging/protective film and check for damage. If damaged, report immediately to supplier.

The bath should be fully protected during the installation process.

Fig. 1 illustrates baths fitted with rigid panels (except baths with wooden panel option. - see Installation Instructions supplied with wooden panels).

Appropriate safety equipment/workwear should be used

TABLE 1

| | A | B | C Max | C Min | D | E | Water capacity to overflow (A or B) litres | Panel type (A or B) |
|--------------------|------|-----|-------|-------|-----|-----|--|---------------------|
| Alto 70 | 1695 | 695 | 550 | 520 | 390 | 495 | 175 | A |
| Alto 75 | 1695 | 745 | 550 | 520 | 390 | 495 | 195 | A |
| Alto Double | 1695 | 745 | 550 | 520 | 440 | 440 | 200 | A |
| Alto W.S. 70 | 1695 | 695 | 550 | 520 | 390 | 495 | 149 | A |
| Aqua Duo | 1800 | 800 | 595 | 565 | 450 | 450 | 262 | B |
| Ascania | 1690 | 700 | 530 | 500 | 400 | 500 | 195 | B |
| Ascot | 1695 | 745 | 543 | 543 | 390 | 590 | 207 | A |
| Baronet | 1695 | 695 | 540 | 520 | 370 | 495 | 190 | A |
| Camargue | 1690 | 690 | 530 | 500 | 420 | 470 | 195 | B |
| Cameo 150 | 1490 | 695 | 530 | 500 | 350 | 500 | 180 | B |
| Cameo 170 | 1690 | 700 | 530 | 500 | 350 | 500 | 209 | B |
| Chloé | 1695 | 695 | 540 | 480 | 350 | 575 | 176 | A |
| Concept 150 | 1495 | 695 | 540 | 500 | 390 | 450 | 149 | B |
| Concept 170 | 1695 | 695 | 540 | 500 | 390 | 450 | 174 | B |
| Concept 170 x 75 | 1695 | 745 | 540 | 500 | 390 | 460 | 192 | B |
| Concept 170 x 75DE | 1695 | 745 | 540 | 500 | 470 | 470 | 174 | B |
| Cottage | 1690 | 700 | 530 | 500 | 370 | 500 | 180 | B |
| County | 1790 | 795 | 530 | 500 | 500 | 500 | 218 | - |
| Create 70 | 1695 | 695 | 540 | 520 | 400 | 500 | 190 | A |
| Create 75 | 1695 | 745 | 540 | 520 | 390 | 430 | 208 | A |
| Elmdale 150 | 1500 | 700 | 565 | 545 | 400 | 450 | 158 | B |
| Elmdale 170 | 1700 | 700 | 565 | 545 | 400 | 550 | 192 | B |
| Envy | 1685 | 700 | 530 | 500 | 370 | 420 | 191 | B |
| Halo | 1685 | 695 | 530 | 500 | 400 | 470 | 175 | B |
| Harrow | 1695 | 695 | 540 | 500 | 370 | 495 | 190 | A |
| Jasper Morrison | 1695 | 695 | 595 | 565 | 450 | 450 | 230 | B |
| Kyomi 180 | 1795 | 795 | 540 | 500 | 410 | 535 | 185 | A |
| Lichfield/Shetland | 1690 | 690 | 530 | 500 | 350 | 530 | 190 | B |
| Linda 180 | 1790 | 795 | 540 | 515 | 535 | 535 | 225 | A |
| Monaco | 1680 | 690 | 530 | 500 | 420 | 470 | 191 | B |
| Montana | 1690 | 690 | 530 | 500 | 350 | 470 | 209 | B |
| Plaza | 1695 | 695 | 540 | 500 | 370 | 495 | 190 | A |
| Purity | 1695 | 695 | 540 | 500 | 435 | 495 | 207 | A |
| Richmond | 1695 | 695 | 550 | 530 | 400 | 460 | 190 | A |
| Sandringham 150 | 1485 | 692 | 530 | 500 | 370 | 400 | 160 | B |
| Sandringham 170 | 1680 | 690 | 530 | 500 | 420 | 470 | 200 | B |
| Sandringham W.S. | 1680 | 690 | 530 | 500 | 420 | 470 | 149 | B |
| Select | 1685 | 690 | 530 | 500 | 380 | 380 | 179 | B |
| Seville | 1690 | 690 | 530 | 500 | 420 | 470 | 195 | B |
| Sophie | 1695 | 695 | 540 | 500 | 390 | 495 | 190 | A |
| Studio 150 | 1495 | 695 | 540 | 480 | 365 | 530 | 162 | A |
| Studio 170 | 1695 | 695 | 540 | 480 | 365 | 530 | 185 | A |
| Studio Extra | 1695 | 745 | 540 | 480 | 365 | 530 | 203 | A |
| Tiffany | 1690 | 690 | 530 | 500 | 370 | 450 | 160 | B |
| Tonic 170 | 1700 | 800 | 595 | 565 | 450 | 630 | 203 | B |
| Tonic 180 | 1800 | 800 | 595 | 565 | 450 | 630 | 220 | B |
| Venturo 70 | 1695 | 695 | 550 | 520 | 420 | 520 | 200 | A |
| Venturo 75 | 1695 | 745 | 580 | 560 | 420 | 520 | 215 | A |
| Westside | 1680 | 690 | 530 | 500 | 420 | 470 | 191 | B |
| Washpoint 70 | 1695 | 695 | 550 | 520 | 420 | 520 | 200 | A |
| Washpoint 75 | 1695 | 745 | 580 | 560 | 420 | 520 | 215 | A |

INSTALLATION

1. Lay bath face down and remove legs and bags containing feet etc. (Note: Tonic legs feet and waste are boxed separately.)

The 4 black - No. 8 x 40 long countersunk crosshead self tapping screws removed from the bath are NOT REQUIRED.

2. Locate leg adjusters on bath frame and mark positions for the fixing screws. **Note:** If fitting wooden panels, locate outside face of leg adjuster flush with outside face of frame. Pilot drill the holes in the bath frame and fix leg adjusters to frame.

3. Locate bath legs in leg adjusters and mark positions for the fixing screws on the base board. Pilot drill the holes in the base board, to a depth of 6mm maximum. Position legs in leg adjusters and on base board and secure. Locate No. 8 x 12 long pan head self tapping screw into leg adjuster and tighten.

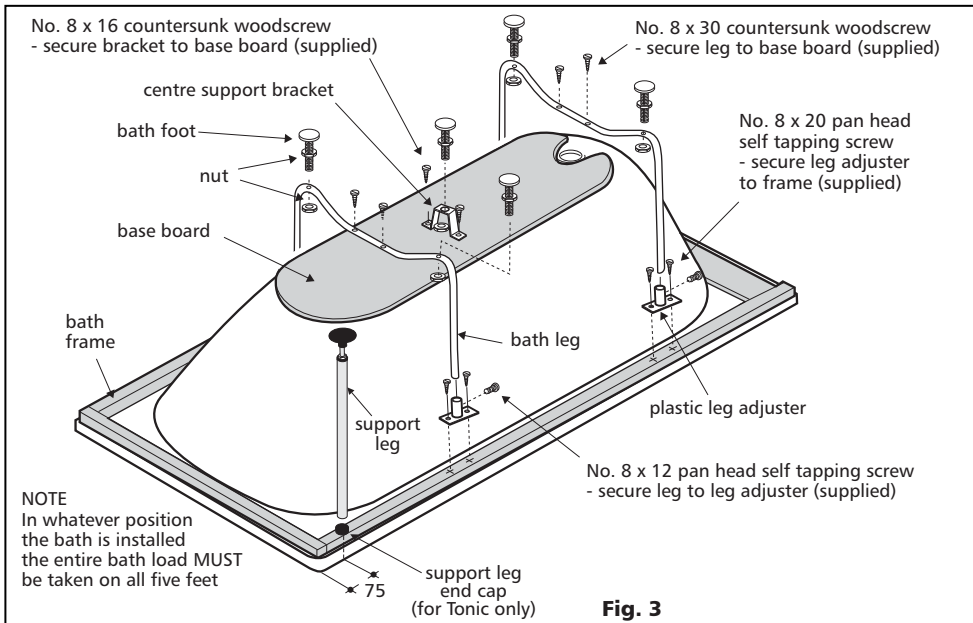
DO NOT OVER TIGHTEN.

4. Locate centre support bracket, mark screw hole positions, pilot drill holes in base board, to a depth of 6mm maximum, and secure bracket.

5. Fix the feet and adjust to give approximate floor to top of rim height required.

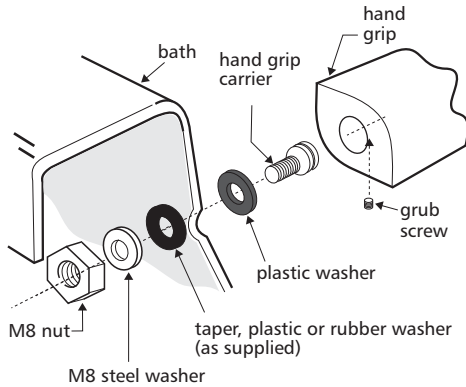
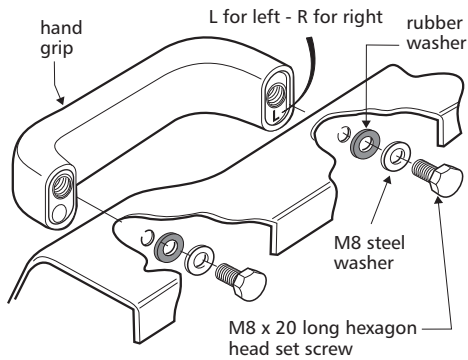
6. Tonic Only. Fit support leg end cap to front member of wooden frame in position shown (Fig. 3).

7. Fit supply and waste fittings. If the bath is to be installed with a monoblock mixer a special hole (or holes) is required to accommodate the mixer and will have to be cut by the installer in an appropriate position on the rim of a no tap hole bath to suit the bathroom layout. Full details or a template for cutting the hole (or holes) is supplied with monoblock fittings. A template for cutting two tap holes in a no tap hole bath is supplied with the bath. Cut tap holes, and fit supply fittings, waste, overflow and trap. When using a monoblock fitting, the area directly behind the pop-up waste mechanism should be avoided.



8. Fit hand grips (where supplied)

See Figs. 4 & 5. Use appropriate mounting method.

**Fig. 4****Fig. 5**

9. Fix the two wall fixing brackets to bath frame as indicated in Fig. 6. Pilot drill holes in frame before fixing brackets.

10. Fix bath to wall (Fig. 6)

11. Fix bath to floor and ensure that all nuts are tight.

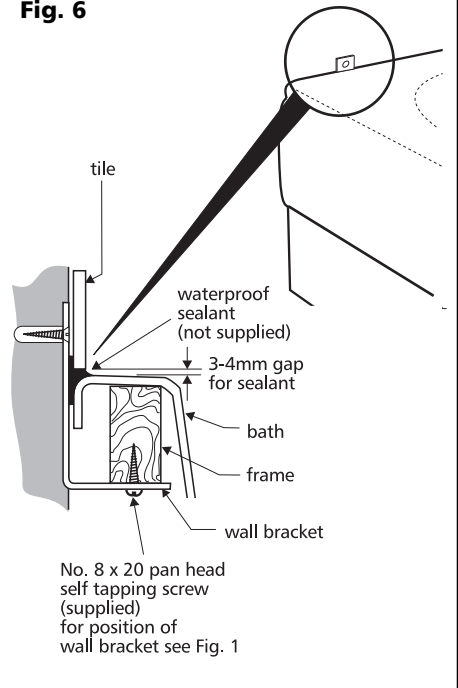
12. (Tonic only) Fit support leg and adjust foot to correct height. (Do not force the rim upwards). The foot can be screwed to the floor for extra stability if required.

13. Connect services, test for satisfactory operation of fittings and ensure there are no leaks.

14. Tile down to the height of the bath rim leaving a 3-4mm gap for waterproof sealant, see Fig. 6. An extruded sealing strip can be used for the bath to wall joint as an alternative to waterproof sealant. Protect bath during tiling.

WARNING

DO NOT fix hand grips in any oil based bedding compound or putty.
These materials contain solvents which will damage the hand grips irreparably.

Fig. 6

15. FIT PANEL(S)

Refer to Table 1 for panel type

PANEL TYPE 'A'**UNILINE PANELS****16. Fit panel(s)**

Attach the lengths of PVC cushioning strip to the top edge(s) of the panel(s) (three on the front panel and two on the end). Fit

panel(s) (end panel first where appropriate) by pushing the top edge under the bath rim, Fig. 7.

17. Panels can be reduced in height by cutting a strip from the bottom edge, for heights see Fig. 1. Timber floor battens are not supplied but are necessary to secure the panels. Screw battens to the floor.

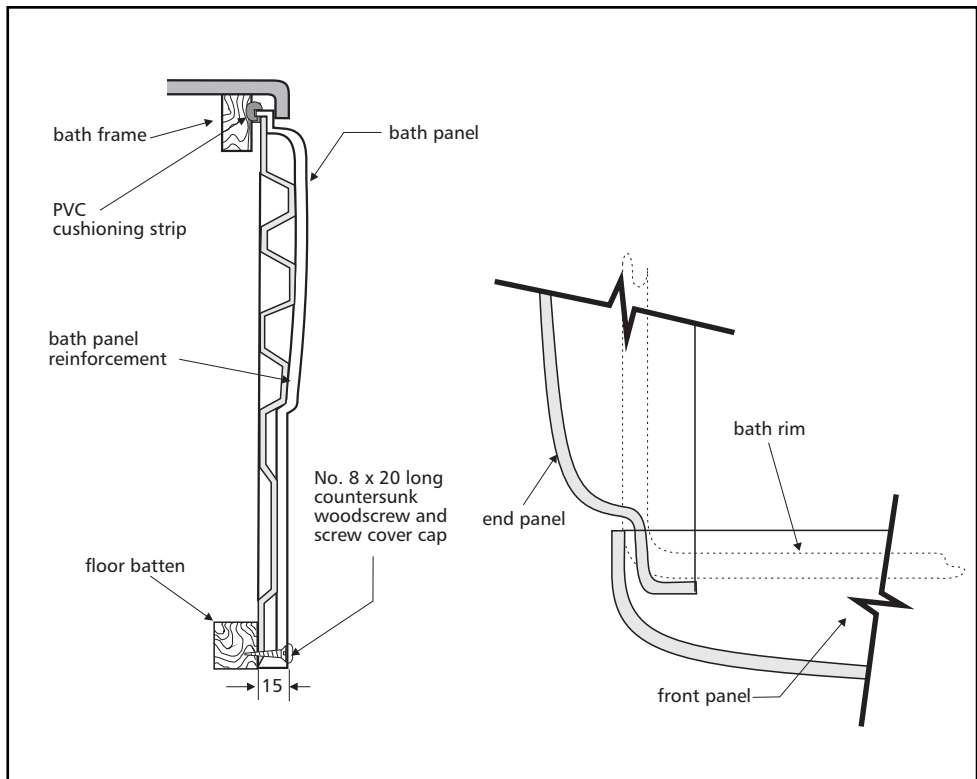


Fig. 7 TYPE 'A' PANELS

PANEL TYPE 'B'

End panels must be fitted before front panels. Hercules 800 end panels will need to be trimmed if fitting to 750mm wide baths. (See Fig. 8 for abutment cut out).

Universal 2 front panel may be installed with feature line at top or bottom. Hercules front panel to be installed with feature line closest to the floor.

Ensure that the bath is fitted and levelled to the correct height (see table), measured from the floor to the top of the bath roll.

Drop a plumbline from the corner of the bath and mark the floor corresponding to the outline of the bath.

From this line measure back:

1. 8mm for the Universal front panels
2. 12mm for Hercules front panels
3. 40mm Jasper Morrison front panel
16mm Jasper Morrison end panel

Screw retaining clips, evenly spaced onto the wooden frame behind the bath roll.

Insert top of the end panel between the bath roll and retaining clips and push the bottom of the panel against the batten, Fig. 9. Repeat procedure for the front panel.

When both panels are correctly positioned, in relation to the bath's corners, secure panels to battens.

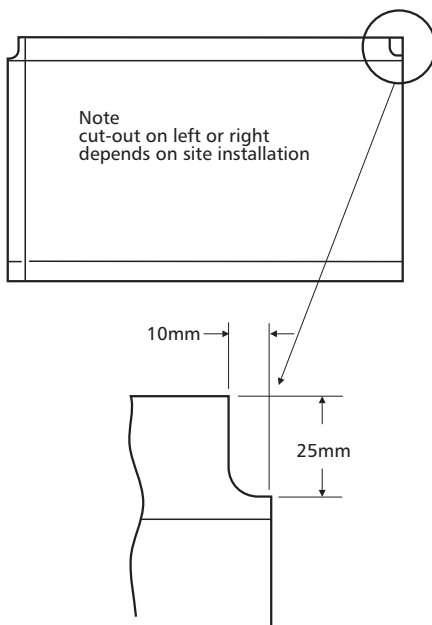


Fig. 8

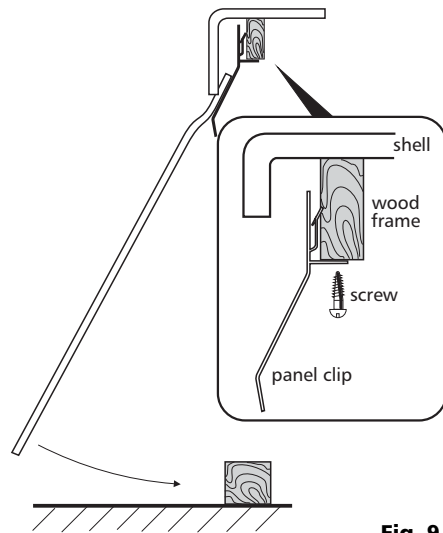


Fig. 9

TYPE 'B' PANELS

WOODEN PANELS

18. Wooden panels can be supported on battens or blocks attached to the bath frame. Battens are also required for the base of panels and should be screwed to the floor.

Screw wooden panels to battens and blocks and cover screw heads with screw caps (not supplied). Installation details for fixing wooden panels to the bath are supplied with the panels.

Note: The Plaza bath wooden panel is supplied ready primed on the front surface only. Bathroom paint is required to seal the front and edges of the panel prior to installation.

The Bathroom Works
National Avenue
Kingston upon Hull
HU5 4HS
England

CUSTOMER CARE HELPLINE

0870 1296085

CUSTOMER CARE FAX LINE 01482 499611

email: ukcustcare@IdealStandard.com

We pursue a policy of continuing improvement in design and performance of our products. The right is, therefore, reserved to vary specifications without notice.

Ideal Standard (UK) Ltd.