

Instructions for replacing thermostatic cartridge

Two types of sequential thermostatic cartridges exist. The original (from 2005) having a separate hot seat and the new one (from late 2010) having an integral hot seat.

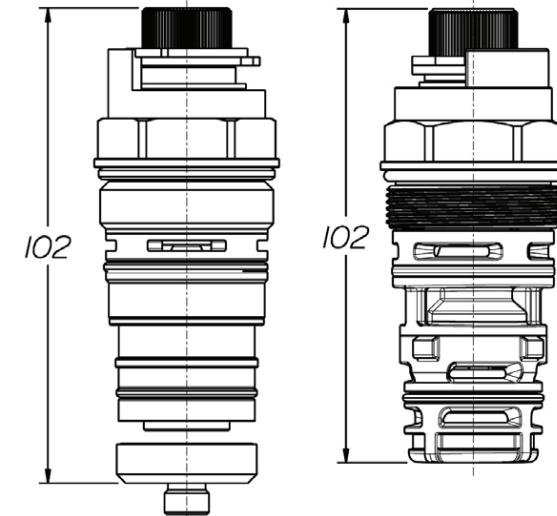
IMPORTANT NOTE: IF YOU ARE REPLACING AN ORIGINAL CARTRIDGE WITH A NEW SPARE PART, THE HOT SEAT MUST BE REMOVED FROM THE MIXER BODY.

FAILURE TO REMOVE THE HOT SEAT WILL CAUSE DAMAGE TO THE NEW CARTRIDGE.

The two cartridge types are identifiable from the details below.

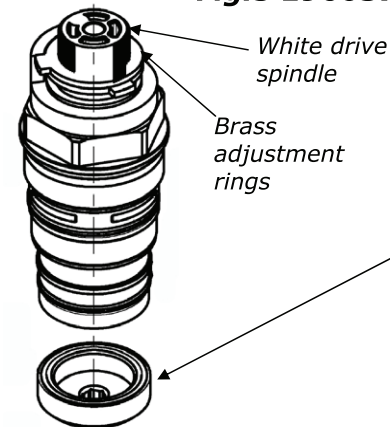
Fig.1 E960575NU
Original type.

Fig.2 A962280NU
New type.



*Armitage
Shanks*

Fig.3 E960575NU original type cartridge.



Identifying features of the original type cartridge are shown on the left.

If this cartridge was fitted in the product, it will be necessary to remove the brass seat from inside the mixer body.

To remove the seat, you will need the **Seat Extraction Kit No: A963377NU**. See details in the next section.

Separate brass seat
(FITTED INSIDE PRODUCT)

1

CUSTOMER CARE HELP LINE
0870 129 6085

CUSTOMER CARE FAX
01482 499611

E-MAIL
UKcustcare@idealstandard.com

Armitage Shanks pursues a policy of continuing improvement in design and performance of its products.

The right is therefore reserved to vary specification without notice.

Armitage Shanks is a division of Ideal Standard (UK) Ltd

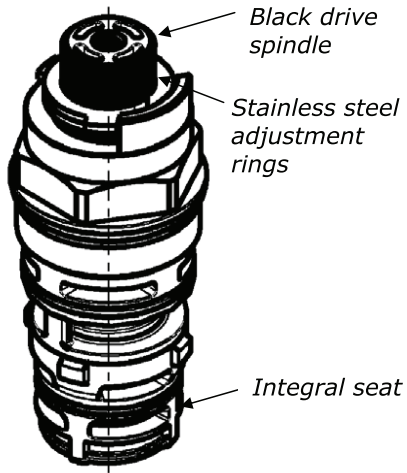
Armitage Shanks
The Bathroom Works, National Avenue
Kingston-upon-Hull, HU5 4HS, England

A866386

02/11

ARMITAGE-NPD

Fig.4 A962280NU new type cartridge.



Identifying features of the new type cartridge are shown on the left.

If the spare cartridge **matches** the cartridge being removed from the product, no further action is necessary.

Replacing the Cartridge: Having identified the thermostatic cartridge, remove the cartridge from the product by following the maintenance section of the installation instruction booklet (provided with the product).

- If the cartridge is a direct replacement, proceed to fit the spare part.
- However, if you are replacing an original cartridge, with a new one, follow the next instructions.

Seat Extraction Kit is shown here; it comprises of a 6mm Allen key and a simple extractor tool.

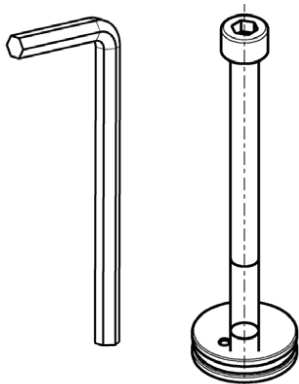
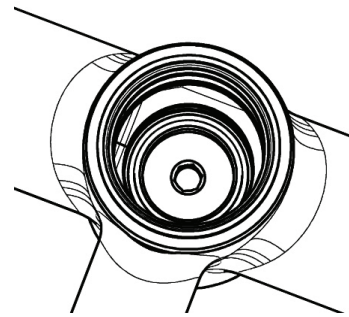


Fig.5 A963377NU seat extractor kit.

Instructions for removing the hot cartridge seat



First check if a brass seat is fitted in the product. With the thermostatic cartridge removed, the brass seat will be visible at the bottom of the cartridge well. A 6mm hexagonal drive is machined into the centre of the brass seat.

If seat removal is necessary then proceed as follows:

- Obtain the Seat Extraction Kit A963377NU.

Fig.6 Seat location

- From the Seat Extraction Kit, use the 6mm Allen key and unscrew the brass seat anti-clockwise until almost disengaged. If necessary, use a tube on the short end of the Allen key to increase leverage.

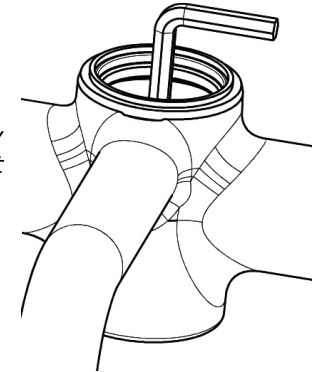
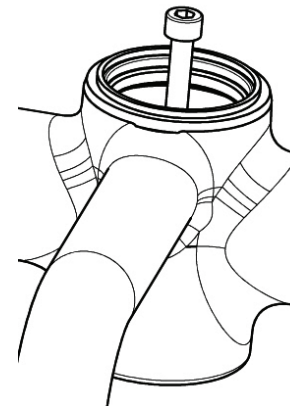


Fig.7 Unscrew seat



- Next, use the extractor tool to lift the seat out of the product.

To do this, push the tool firmly into the bore of the seat, the o-ring on the tool will grip the seat. Turn the tool anti-clockwise to disengage the seat and then lift the seat out gently.

Fig.8 Extract seat

Keep the tool and seat inline with the bores of the product whilst extracting (to prevent jamming).

Fit the spare cartridge A962280NU in accordance to the maintenance instructions mentioned previously. The extracted brass seat is not needed and can be discarded.

RECOMMENDATION:

Once the cartridge has been replaced, use the installation instruction booklet (provided with the product) to carry out the normal checks and commissioning procedures.