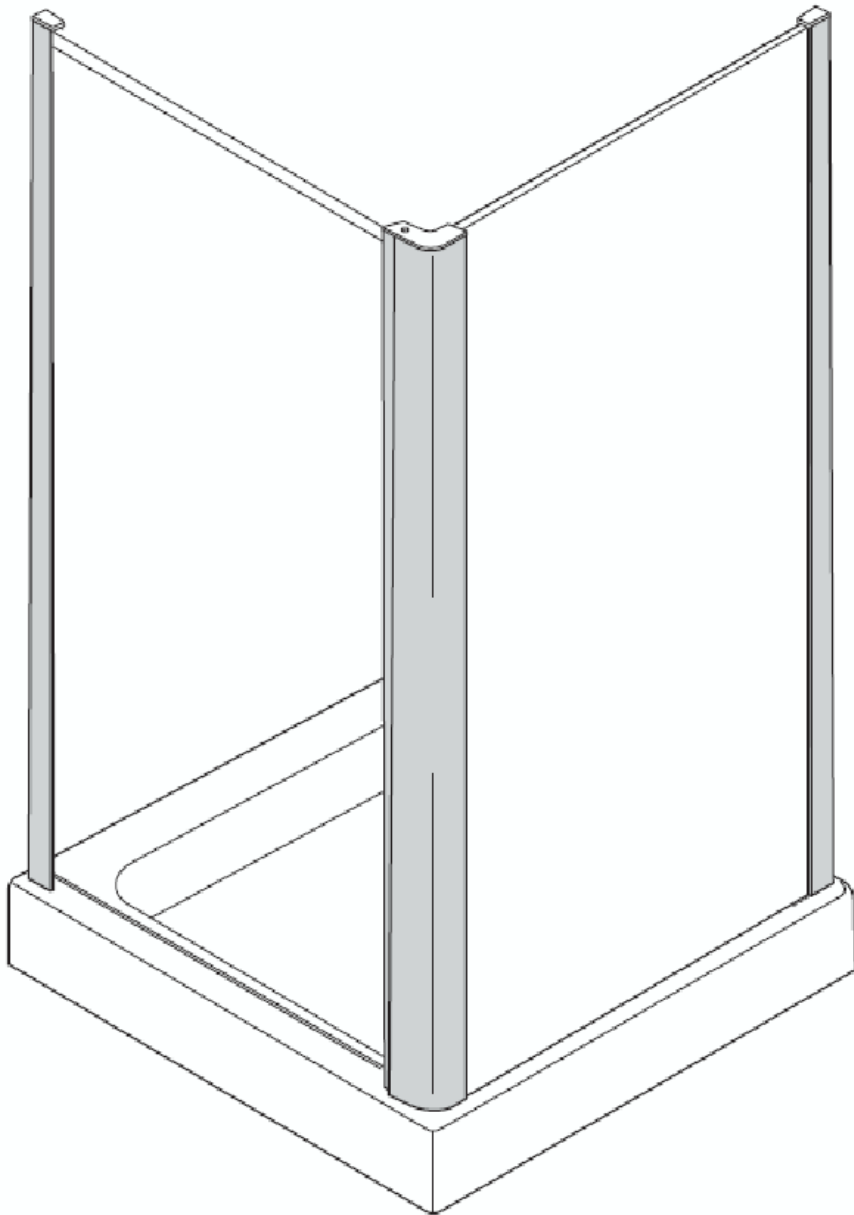
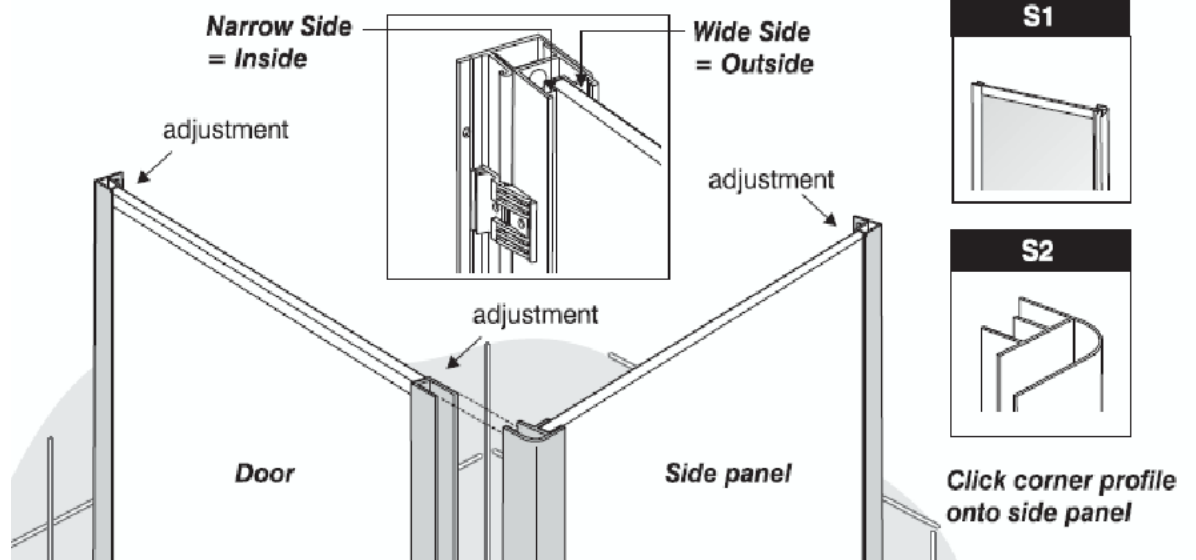


L6216EO SYNERGY S/PANEL 760 BRT/SIL CLEAR UK
L6217EO SYNERGY S/PANEL 800 BRT/SIL CLEAR UK
L6218EO SYNERGY S/PANEL 900 BRT/SIL CLEAR UK
L6219EO SYNERGY S/PANEL 1000 BRT/SIL CLEAR UK



SYERNGY UK SIDE PANEL
Instruction Number: 4839



Side Panel



Ref	S1	S2
Panel Components		

Ref	P1	P2	P3	P4	P5	P6	P7
Panel Pack	x 3	x 3 No.8 x 8 Pan Head	x 3	x 1 No.8 x 18 Csk.			

Ref.	Description	Spares Part No.
S1	Panels	(new pack required)
S2	Corner Profile	LV804EO
P1	Screw Retainer Moulding	LV879LJ
P2	No.8x8mm Pan Hd Screw	LV86667
P3	Screw Cap Moulding	LV880AA
P4	No.8x18mm CSK Screw	LV82267
P5	Corner Profile LH Top Cap	LV877AA
P6	Corner Profile RH Top Cap	LV878AA
P7	Adjuster Top Cap	LV854AA
x	Glazing Seal 2M length	LV81367
x	Side Panel Moulding Pack	LV827AA
	contains:(x3 P1, x3 P2, x3 P3, x1 P4, x1 P5, x1 P6, x1 P7)	