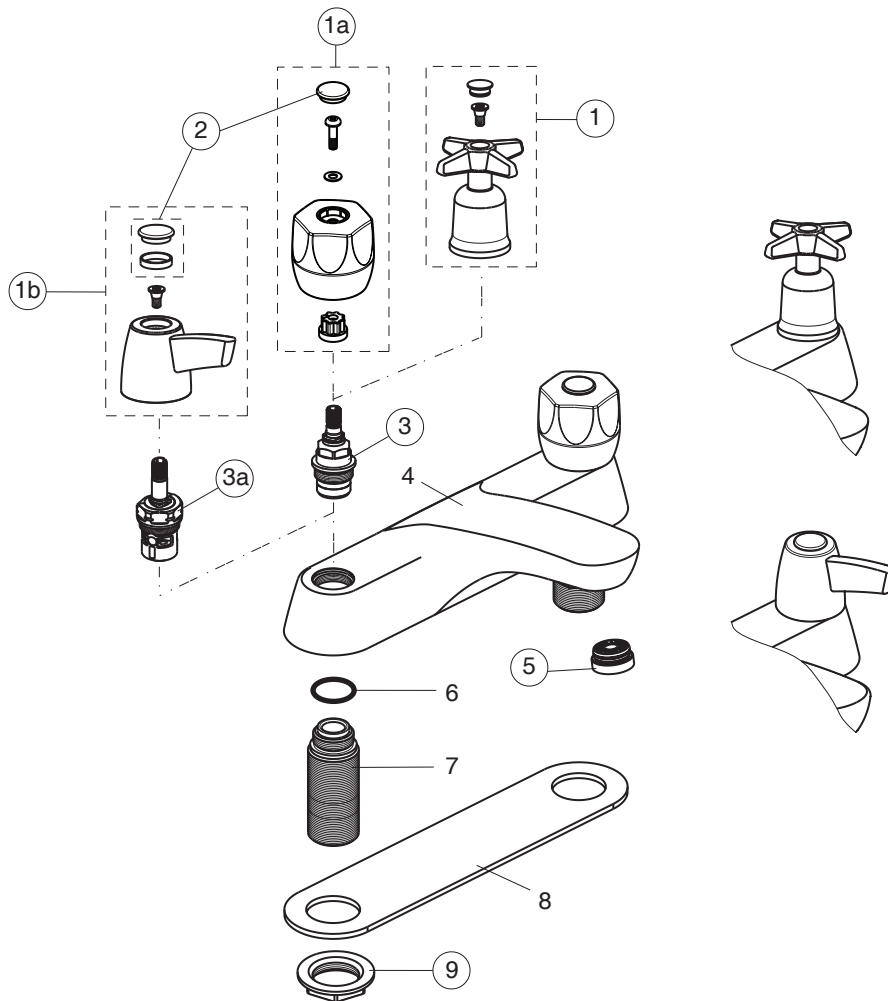
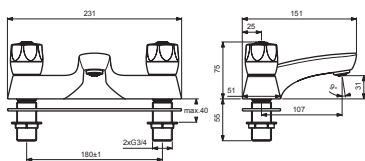


# SANDRINGHAM 21

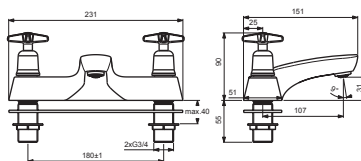
*Armitage  
Shanks*



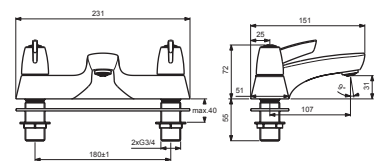
**B9870AA**



**B9877AA**



**B9883AA**



Pos.	Signify	Spare parts-Nr.	Quantity	Pos.	Signify	Spare parts-Nr.	Quantity
1	Cross handle-compl.	B960996AA	1 Set	8	Base gasket		1 Pcs.
1a	Handle-compl.	B960995AA	1 Set	9	3/4 brass backnut	E960111NU	1 Pcs.
1b	Lever-compl.	B960997AA	1 Set				
2	Indice buttons blue/red	B961056NU	1 Set				
3	Headworks	A963317NU	1 Pcs.				
3a	1/2 se ceramic disc cart a/cl close	A963004NU	1 Pcs.				
	1/2 se ceramic disc cart cl close	A963003NU	1 Pcs.				
4	Bath filler body		1 Pcs.				
5	Anti-splash streamline 3/4"	S9595NU	1 Pcs.				
6	O-Ring Ø18.2x1.7		2 Pcs.				
7	Connector G3/4		2 Pcs.				