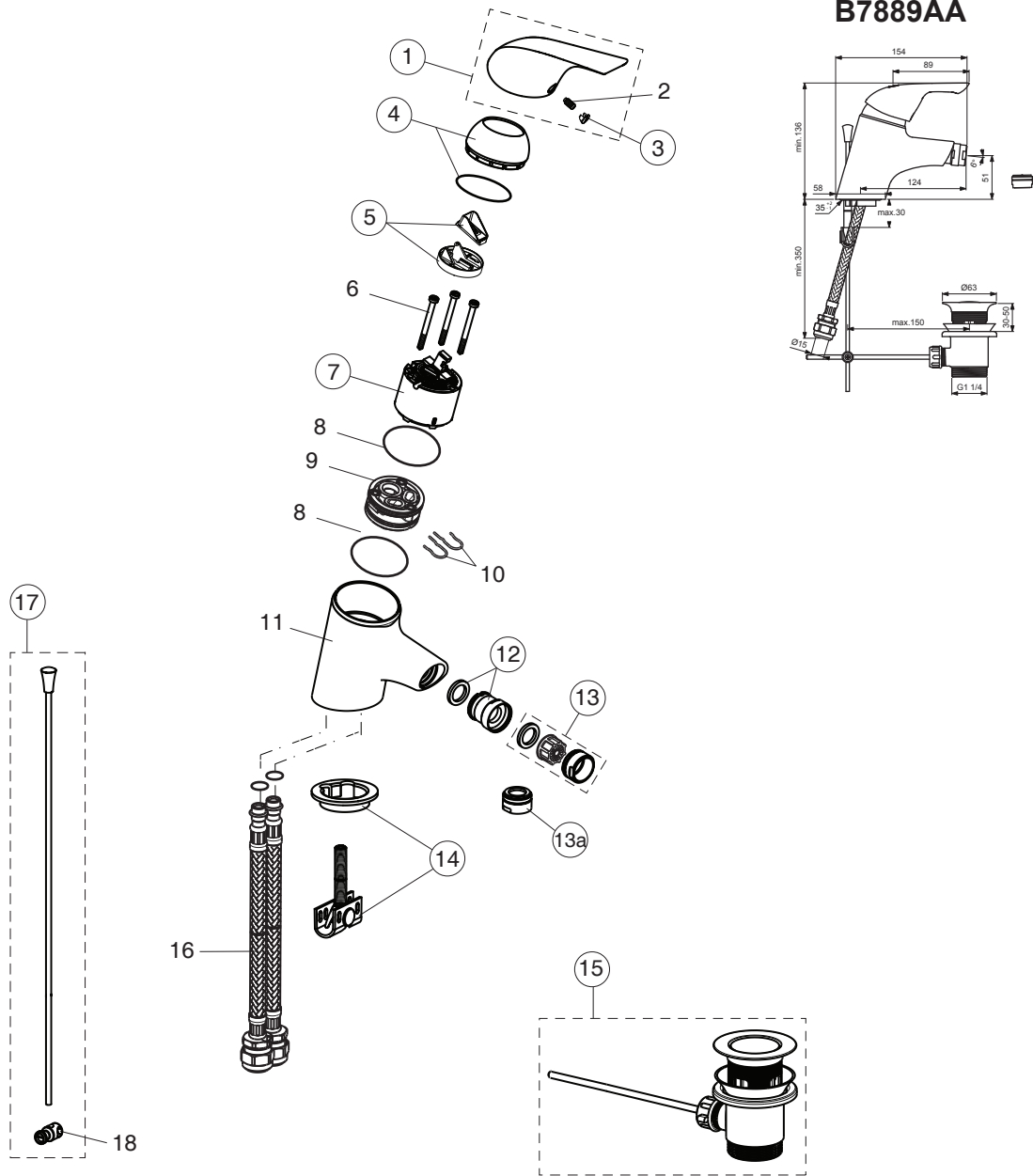


# CERAPLAN NEW



Pos.	Signify	Spare parts-Nr.	Quantity	Pos.	Signify	Spare parts-Nr.	Quantity
1	Lever,w/logo ISI-compl.	B960704AA	1 Pcs.	14	Fixation set-top fix	B960186NU	1 Pcs.
2	Screw M5x10		1 Pcs.	15	Pop-up ass.	B960853AA	1 Pcs.
3	Cap(Blue/Red)	A963054NU	1 Pcs.	16	Flex hose G1/2-L400mm		2 Pcs.
4	Rosette-compl.	B960276AA	1 Pcs.	17	Pull-up rod-compl.	B964883AA	1 Set
5	Volume stop	A860700NU	1 Pcs.	18	Pop up waste shackle		1 Pcs.
6	Screw M4x62		3 Pcs.				
7	Cartridge Ø47mm	A960500NU	1 Pcs.				
8	O-Ring Ø44x2		2 Pcs.				
9	Manifold		1 Pcs.				
10	Clip		2 Pcs.				
11	Body bidet		1 Pcs.				
12	Ball joint M24x1	A960063AA	1 Pcs.				
13	Nozzle	A961625AA	1 Pcs.				
13a	Casc.perlator M24x1-A	A960321AA	1 Pcs.				