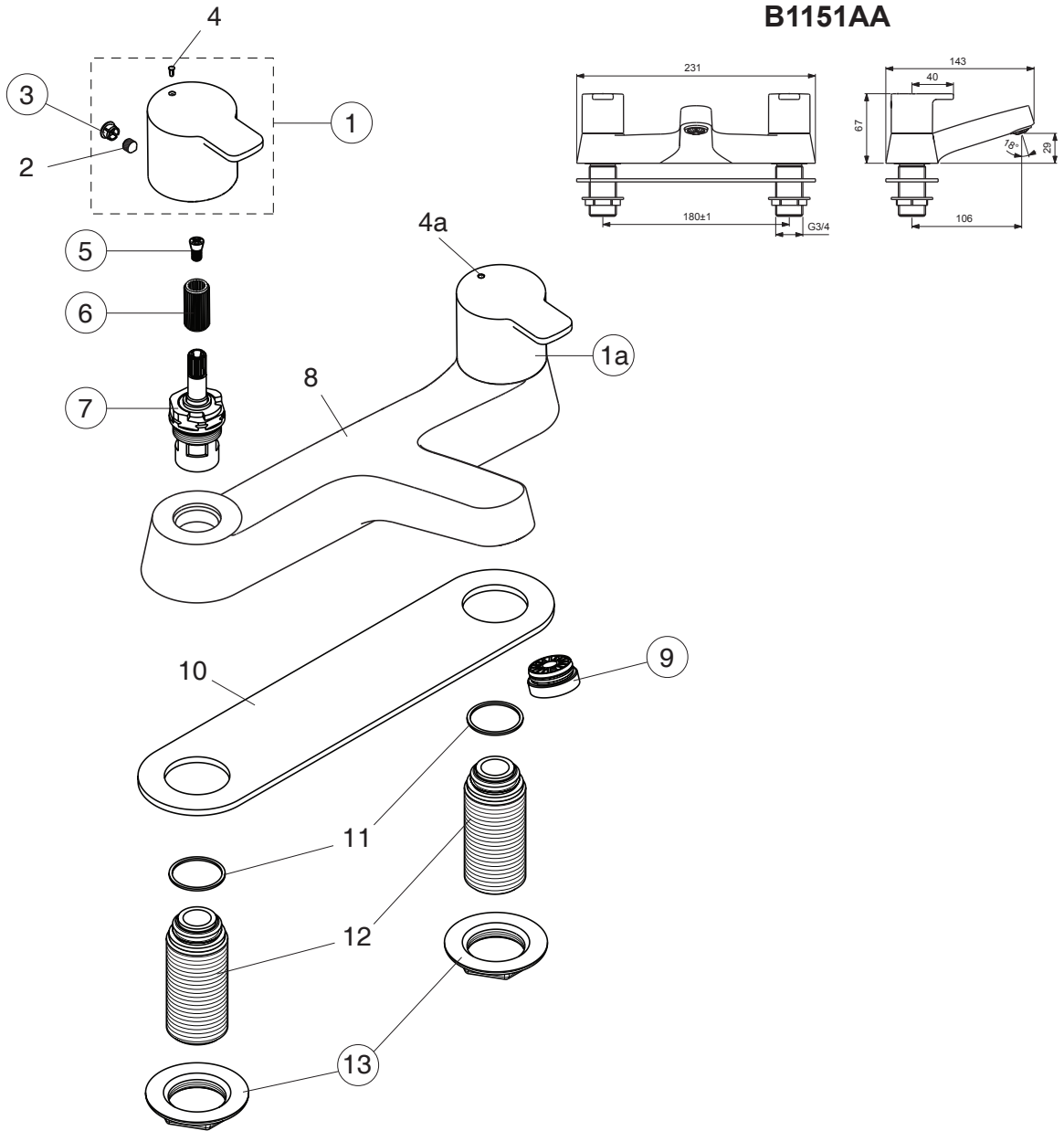


CALISTA



B1151AA



| Pos. | Signify | Spare parts-Nr. | Quantity | Pos. | Signify | Spare parts-Nr. | Quantity |
|------|-----------------------------|-----------------|----------|------|---------------------|-----------------|----------|
| 1 | Handle,w/logo-red | B961308AA | 1 Set | 12 | Connector G3/4xG1/2 | E960111NU | 2 Pcs. |
| 1a | Handle,w/logo-blue | B961307AA | 1 Set | 13 | 3/4 brass backnut | E960111NU | 1 Pcs. |
| 2 | Screw M5x6 | | 2 Pcs. | | | | |
| 3 | Block cap | A961157AA | 1 Pcs. | | | | |
| 4 | Indicator-red | | 2 Pcs. | | | | |
| 4a | Indicator-blue | | 2 Pcs. | | | | |
| 5 | Screw M4 | A961337NU | 1 Pcs. | | | | |
| 6 | Griff-insert | A963196NU | 2 Pcs. | | | | |
| 7 | Cartridge G1/2,c/w open | A963004NU | 1 Pcs. | | | | |
| | Cartridge G1/2,a-c/w open | A963003NU | 1 Pcs. | | | | |
| 8 | 2H bath filler body DC | | 1 Pcs. | | | | |
| 9 | Anti-splash streamline 3/4" | S9595NU | 1 Pcs. | | | | |
| 10 | Base gasket | | 1 Pcs. | | | | |
| 11 | Sealing washer 3/4" tail | | 2 Pcs. | | | | |