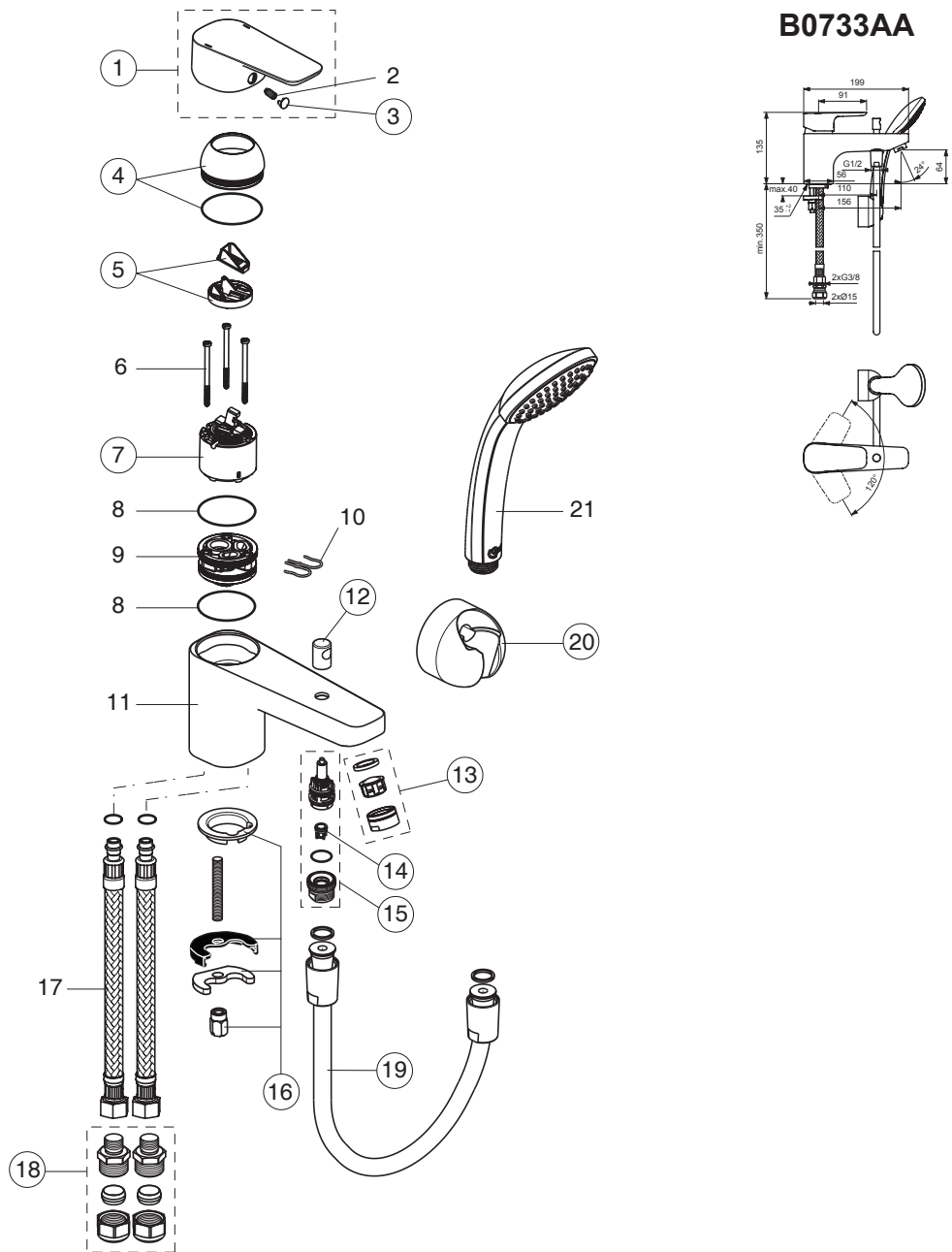


# TEMPO



Pos.	Signify	Spare parts-Nr.	Quantity	Pos.	Signify	Spare parts-Nr.	Quantity
1	Lever,w/logo-set	B961116AA	1 Pcs.	15	Diverter automatic	B960167AA	1 Pcs.
2	Screw M5x10		1 Pcs.	16	Connecting set	B964894NU	1 Set
3	Cap decorative	B960473AA	1 Pcs.	17	Flex hose G3/8, Ø10.5/L430		2 Pcs.
4	Rosette-compl.	B961098AA	1 Pcs.	18	Connector-set G3/8,Ø15	B960845NU	1 Set
5	Volume stop	A860700NU	1 Pcs.	19	Flexible hose G1/2 /L1800	A963173NU	1 Pcs.
6	Screw M4x62		3 Pcs.	20	Wall bracket fixed	B9467AA	1 Pcs.
7	Cartridge Ø47mm	A960500NU	1 Pcs.	21	Handspray IDEALRAIN, 1F,80mm,w/logo ISI		1 Pcs.
8	O-Ring Ø44x2		2 Pcs.				
9	Manifold		1 Pcs.				
10	Clip		2 Pcs.				
11	Body bath/shower, RM		1 Pcs.				
12	Pull knob NIKLES	B960486AA	1 Pcs.				
13	Neop.casc. M24x1-D	A960537AA	1 Pcs.				
14	Rv-patrone	A960944NU	2 Pcs.				