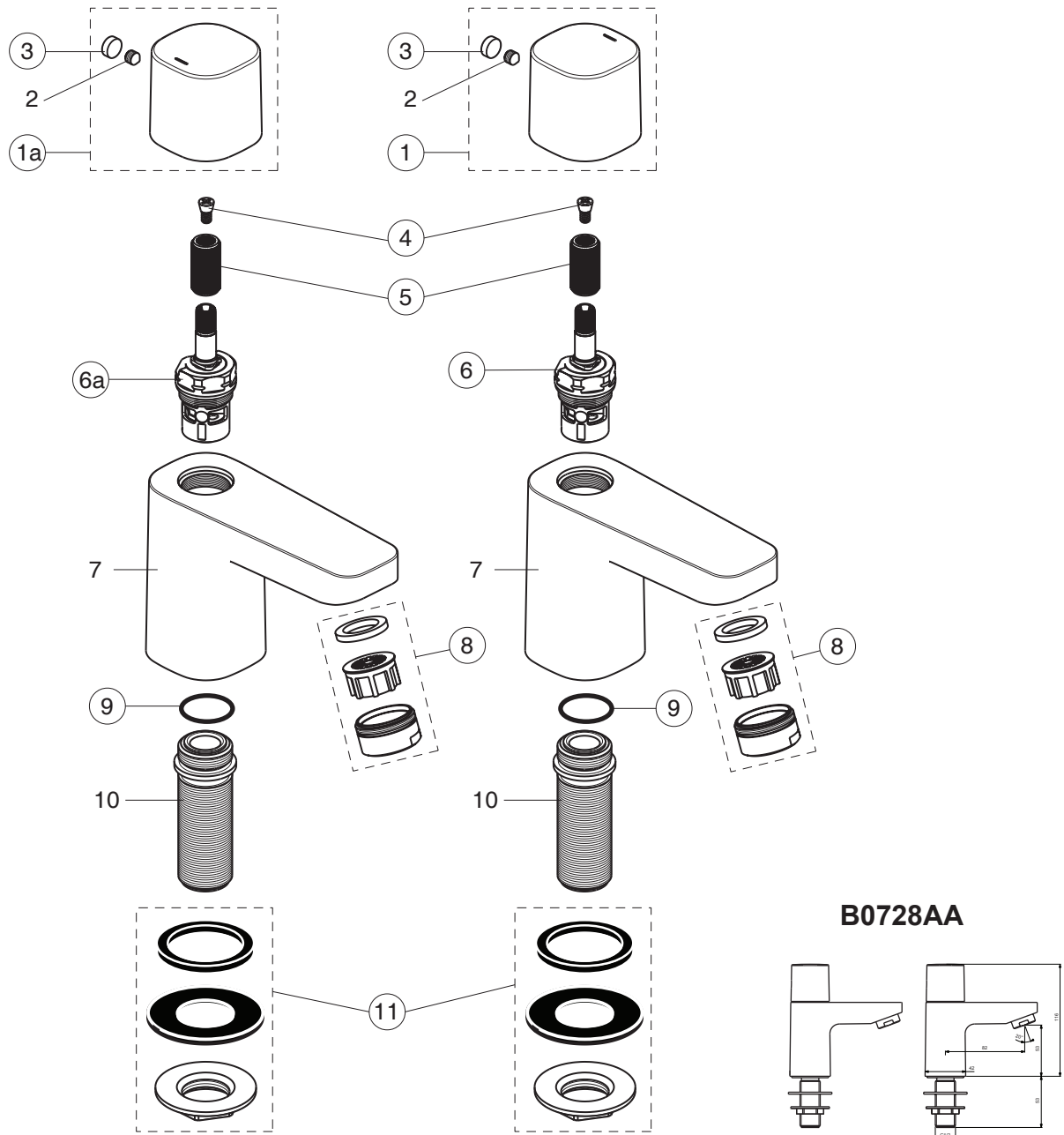


# TEMPO



Pos.	Signify	Spare parts-Nr.	Quantity	Pos.	Signify	Spare parts-Nr.	Quantity
1	Handle(Blue)-set	B961168AA	1 Pcs.				
1a	Handle(Red)-set	B961169AA	1 Pcs.				
2	Screw M5x6		2 Pcs.				
3	Rubber cap Ø8.1x3	B960583NU	1 Pcs.				
4	Screw M4	A961337NU	1 Pcs.				
5	Griff-insert	A963196NU	2 Pcs.				
6	Cartridge G1/2,a-c/w open	A963003NU	1 Pcs.				
6a	Cartridge G1/2,c/w open	A963004NU	1 Pcs.				
7	Body pillar tap		2 Pcs.				
8	Nozzle	A961625AA	1 Pcs.				
9	O-Ring Ø18.2x1.7	A961640NU	2 Pcs.				
10	Connector G1/2xG1/2		2 Pcs.				
11	Connecting group	B961155NU	2 Set				