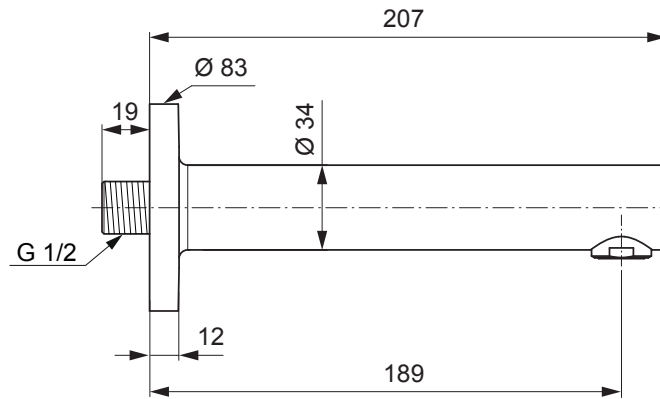
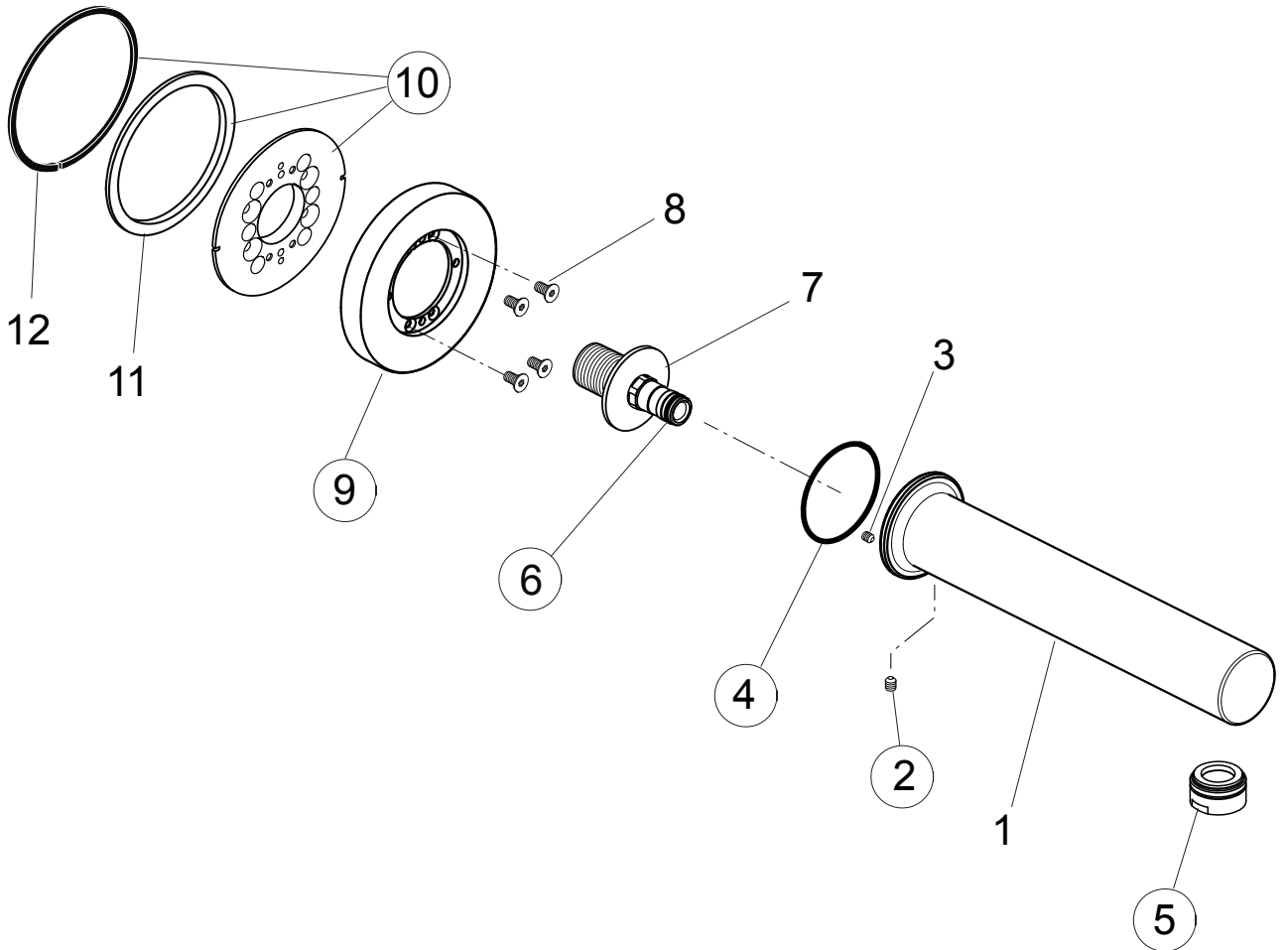


Produced from: Oct. 2015



Wall spout
chrome **A6643AA**



Pos.	Description	Part-Number	Qty.	Pos.	Description	Part-Number	Qty.
1	Spout without flow straightener			8	Countersunk screw M3x6 Torx		
2	Thread pin M5x8	A 960 229 NU	1 pcs	9	Escutcheon with pos. 12	F 961 009 AA	1 Set
3	Thread pin M3x5			10	Escutcheon holder cpl.	F 960 898 NU	1 Set
4	O - Ring Ø 41 x 1,78	A 961 863 NU	1 pcs	11	Seal frame		
5	Aerator M24 x 1 C	B 961 059 AA	1 pcs	12	Seal		
6	O - ring Ø 10 x 2	A 963 495 NU	2 pcs				
7	Connection nipple						