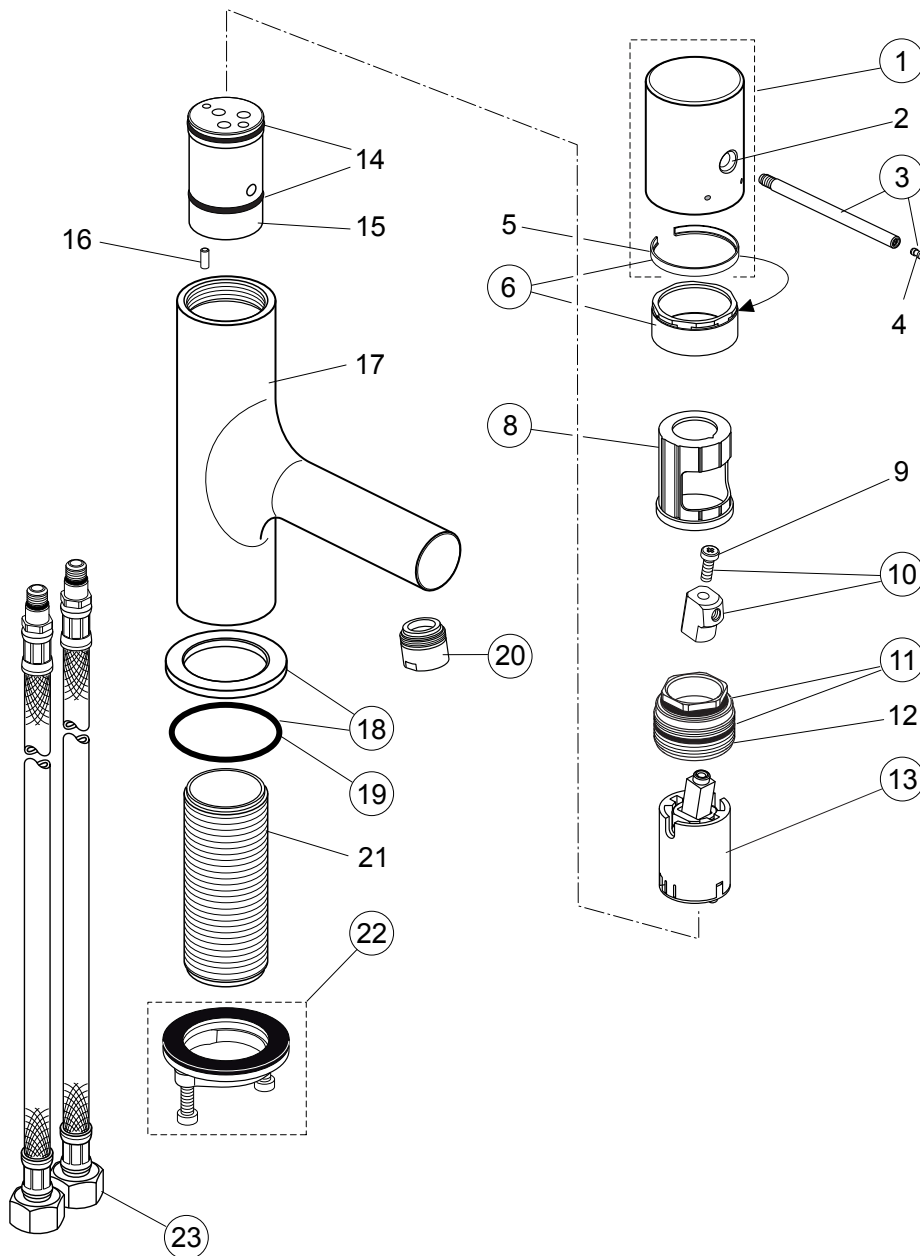
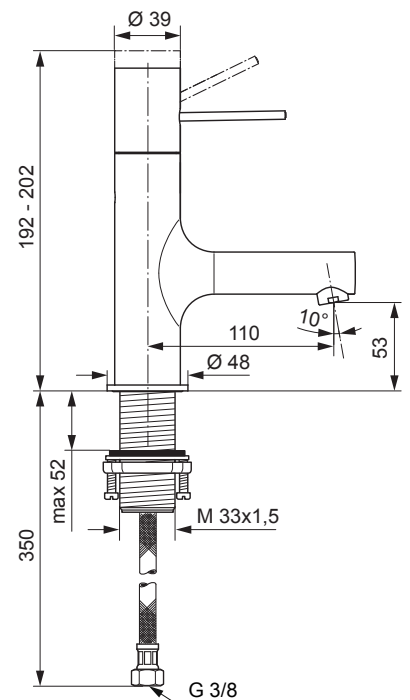


Produced since: **Sept. 2015**



Basin without Pop-up waste chrome **A6636AA**



Pos.	Description	Part-Number	Qty.	Pos.	Description	Part-Number	Qty.
1	Handle cap complete	F 960 987 AA	1 Set	14	O - ring Ø 25 x 2		
2	Handle cap insert			15	Manifold		
3	Lever stainl. steel polished	F 960 988 NU	1 Set	16	Clamping pin		
4	Cover for lever			17	Body w. Logo Sottini		
5	Sliding ring			18	Escutcheon + O-ring	F 960 992 AA	1 Set
6	Cover ring Ø 34 complete	F 960 989 AA	1 Set	19	O - ring Ø 37 x 3	A 961 243 NU	1 pcs
8	Guide sleeve handle	F 960 990 NU	1 pcs	20	Aerator M18x1 - 5ltr/min	A 963 369 AA	1 pcs
9	Cylindrical screw M4x12 DIN6912			21	Fixing tube M33 x 1,5		
10	Lever adapter + screw	F 960 991 NU	1 Set	22	Fixation kit	A 960 263 NU*	1 Set
11	O - ring set	A 860 931 NU	1 Set	23	Flex. hose M8x1-420mm	A 963 370 NU	1 pcs
12	Clamping nut M32 x 1						
13	Cartridge Kerox Ø28	F 960 855 NU	1 pcs				

* Universal-Set (not all parts needed)