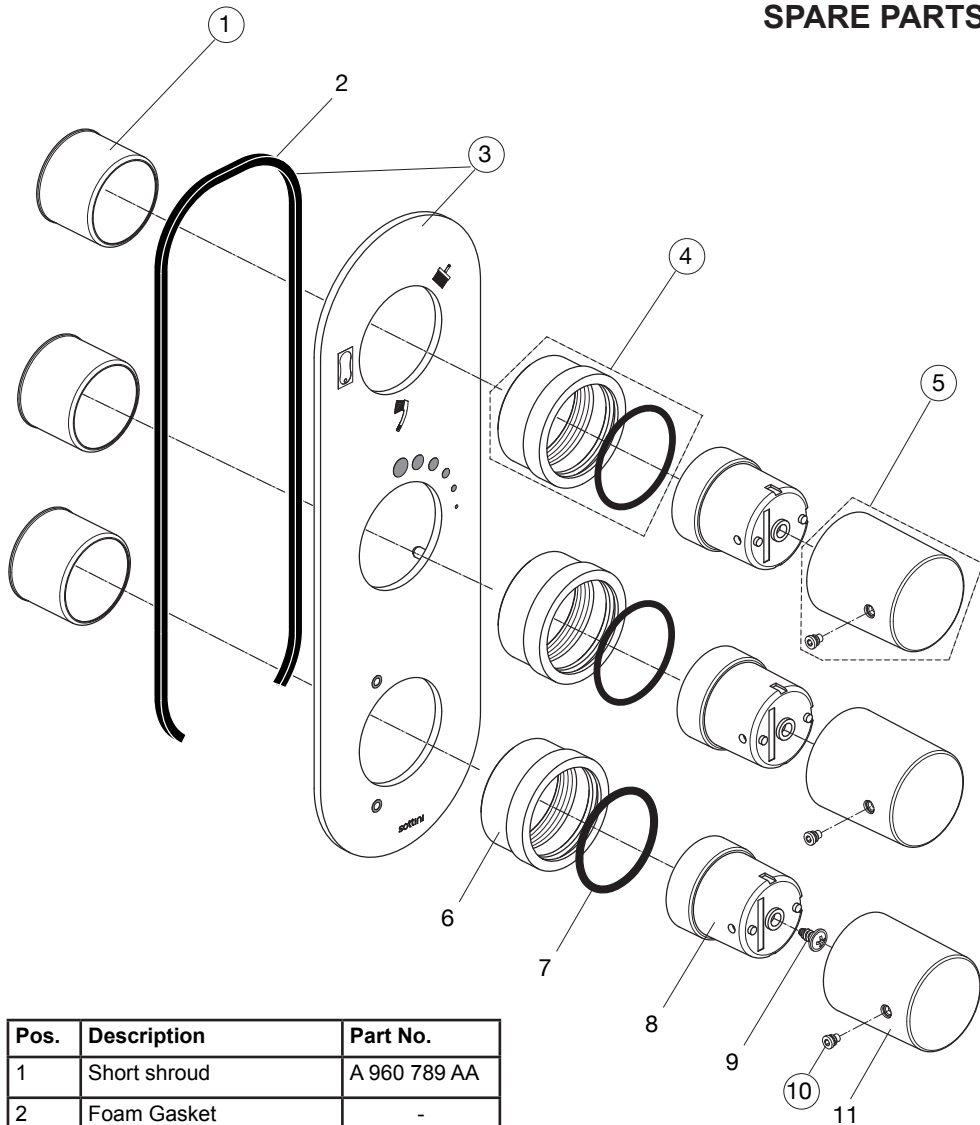


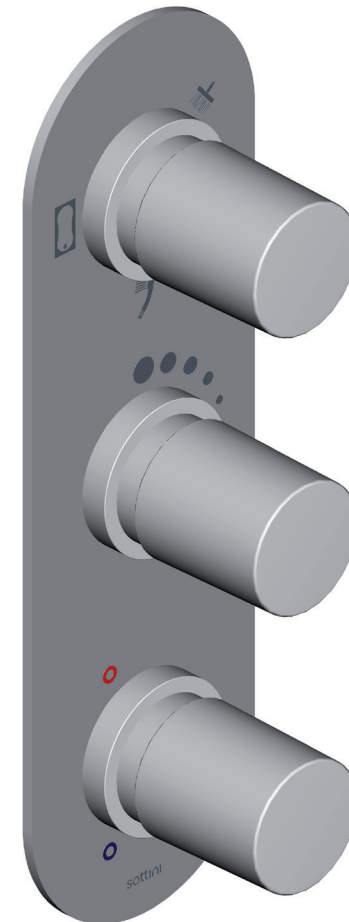
SPARE PARTS

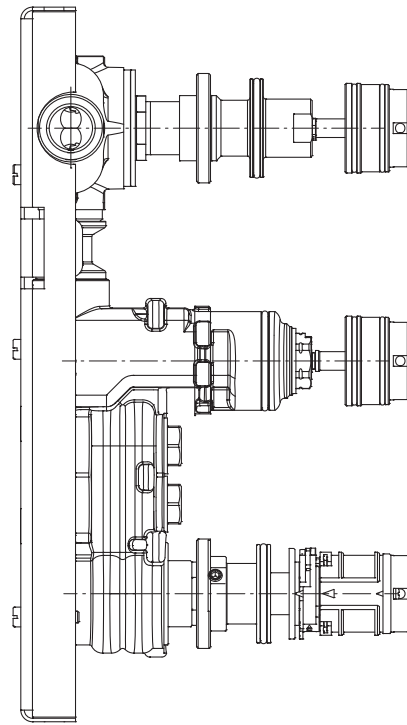
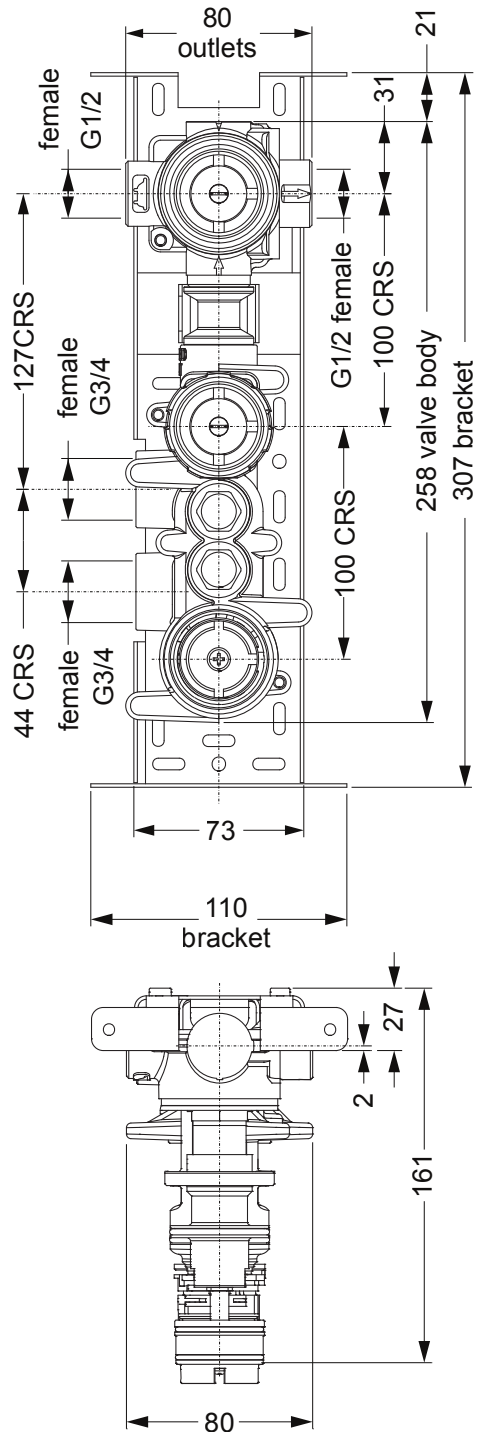


Pos.	Description	Part No.
1	Short shroud	A 960 789 AA
2	Foam Gasket	-
3	Escutcheon w. Logo Sottini + gasket	A 860 992 AA
4	Grip ring + o-ring 43,7x3	A 960 791 AA
5	Handle + screw	A 860 344 AA
6	Grip ring	-
7	O-ring 43,7 x 3	-
8	Handle insert	-
9	Ejot-PT KB 50x10 screw	-
10	Handle screw M5x5	A 961 095 NU
11	Handle	-

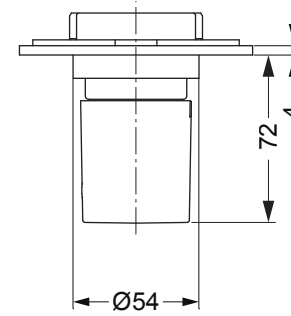
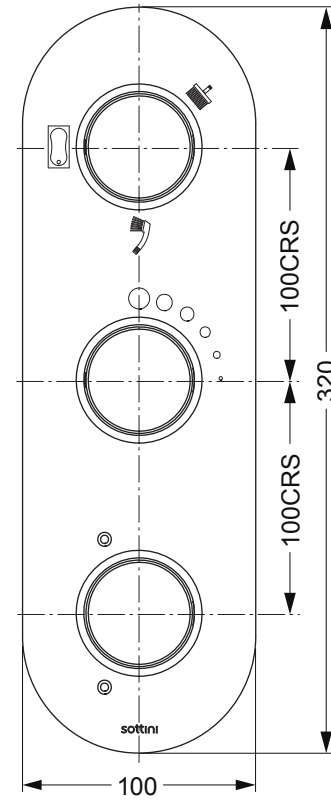
Basento BUILT-IN THERMOSTATIC MIXING VALVES WITH INTEGRAL DIVERTER

A 6538 AA





DIMENSIONS
Kit 1



DIMENSIONS
Kit 2

