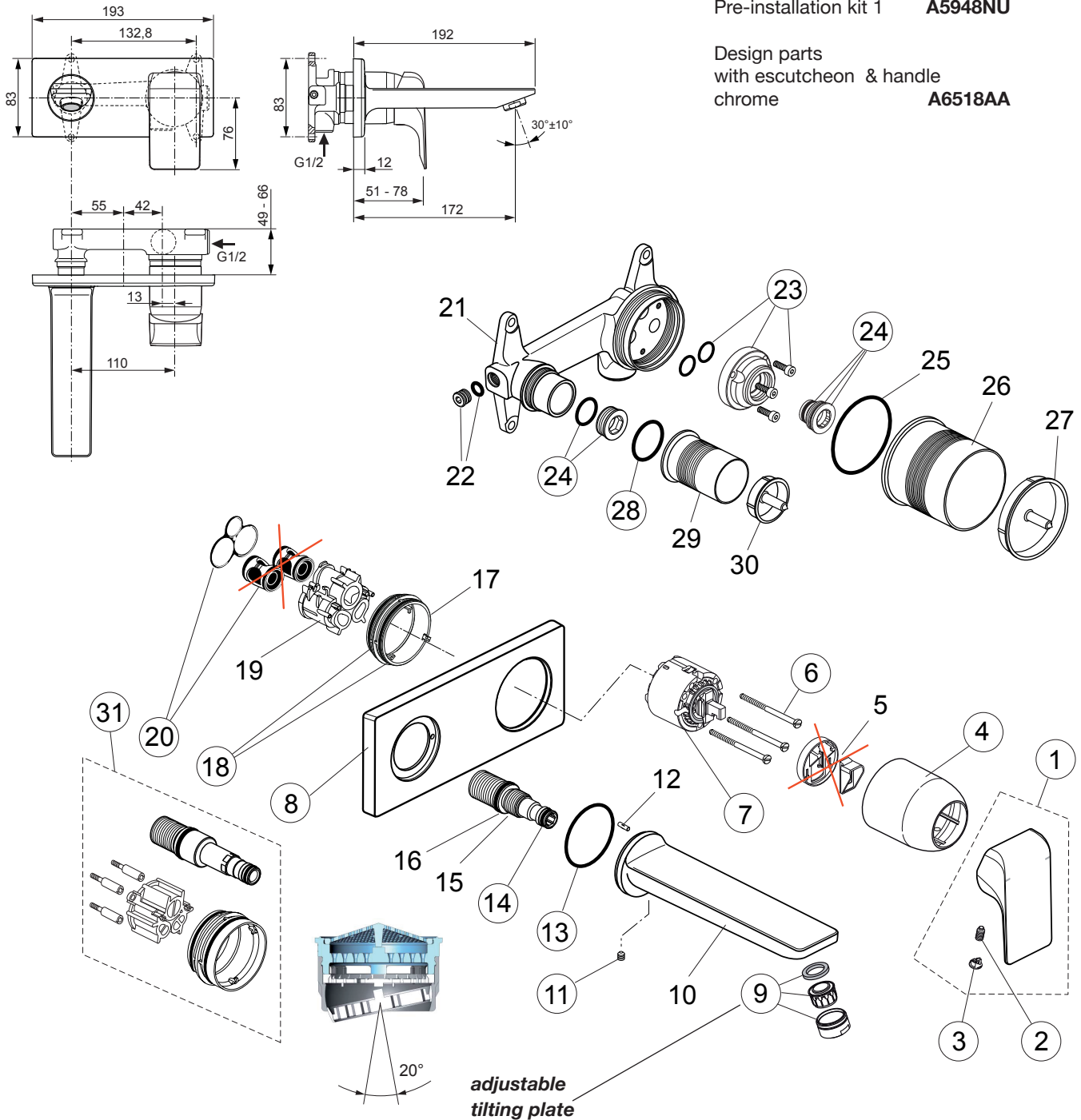


Produced since: **Aug. 2015**

Pre-installation kit 1 **A5948NU**

Design parts
with escutcheon & handle
chrome **A6518AA**



Pos.	Description	Part-Number	Qty.	Pos.	Description	Part-Number	Qty.
1	Lever cpl. with Logo Sottini	A 860 990 AA	1 Set	17	Plastic ring		
2	Thread pin M5x6 DIN914	A 860 603 NU	1 pcs	18	O - ring Ø 47,3 x 1,78	A 963 526 NU	2 pcs
3	Handle cap	B 960 473 AA	1 pcs	19	Plastic insert		
4	Cover cap	A 960 893 AA	1 pcs	20	Low noise insert complete	A 963 524 NU	1 Set
5	ECO-kit			21	Body (built-in)		
6	Cylindrical screw M4x69	A 963 783 NU	3 pcs	22	Superior block M10x1		
7	Cartridge with pos. 5	A 960 500 NU*	1 Set	23	Flushing device complete	F 960 881 NU	1 Set
8	Escutcheon	F 960 880 AA	1 pcs	24	Plug with o-ring	A 963 548 NU	1 Set
9	Aerator M24x1 - 5ltr/min	F 960 876 AA	1 pcs	25	O - ring Ø 54 x 2,5		
10	Spout 172mm projection			26	Plaster guard for cartridge		
11	Thread pin M5x5	A 962 625 NU	1 pcs	27	Cover for pos. 26		
12	Groove pin 3x10 DIN1474			28	O - ring Ø 26 x 2,5	A 860 845 NU	1 pcs
13	O - ring Ø 41 x 1,78	A 961 863 NU	1 pcs	29	Plaster guard for spout		
14	O - ring Ø 10 x 2	A 963 495 NU	2 pcs	30	Cover for pos. 29		
15	Connector nipple			31	Extension kit 20mm longer	F 960 866 NU	1 Set
16	O - ring Ø 19 x 2,5						

* Universal-Set (not all parts needed)