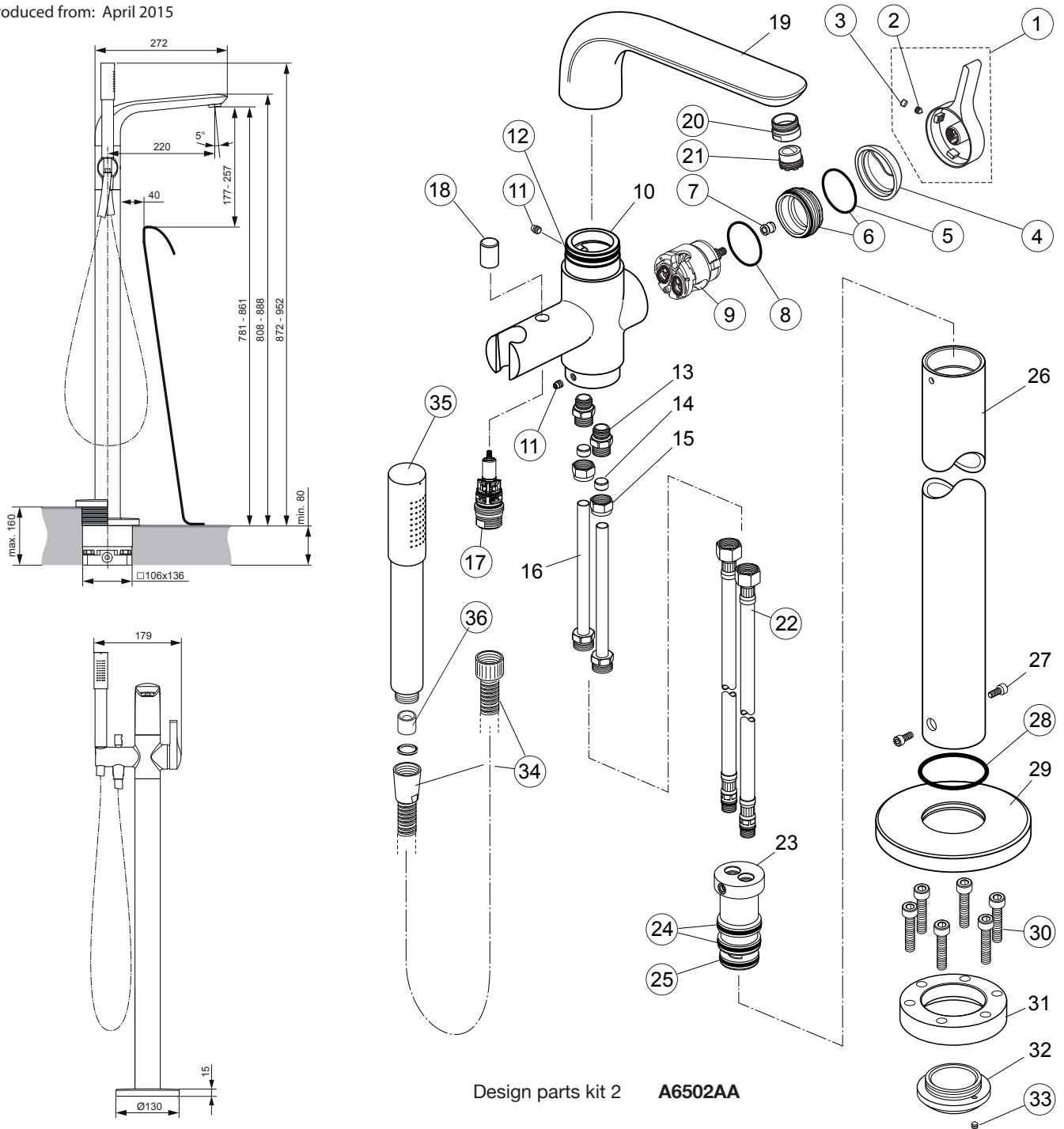


Produced from: April 2015



Design parts kit 2 **A6502AA**

| Pos. | Description                  | Part-Number         | Qty.  | Pos. | Description                            | Part-Number         | Qty.  |
|------|------------------------------|---------------------|-------|------|--|---------------------|-------|
| 1    | Lever cpl. with Logo Sottini | <b>A 860 962 AA</b> | 1 Set | 19   | Spout                                  |                     |       |
| 2    | Thread pin M5x6 DIN914       | <b>A 963 667 NU</b> | 1 pcs | 20   | Aerator M24x1 universal                | <b>A 962 080 AA</b> | 1 Set |
| 3    | Rubber button                | <b>A 963 751 NU</b> | 1 pcs | 21   | Aerator insert cache                   | <b>A 960 191 NU</b> | 1 pcs |
| 4    | Cartridge cover (Cap)        | <b>A 961 485 AA</b> | 1 pcs | 22   | Flex. hose M12xG3/8                    | <b>F 960 986 NU</b> | 1 pcs |
| 5    | O - ring Ø 28,3 x 1,78       | <b>A 961 667 NU</b> | 2 pcs | 23   | Manifold                               |                     |       |
| 6    | Clamping nut M43 x1,5        | <b>N 960 019 AA</b> | 1 Set | 24   | O - ring Ø 29,82 x 2,62                | <b>N 960 006 NU</b> | 5 pcs |
| 7    | Nut for handle adaption      | <b>A 963 372 NU</b> | 1 pcs | 25   | O - ring Ø 28,3 x 1,78                 | <b>A 961 667 NU</b> | 2 pcs |
| 8    | O - ring Ø 35 x 3,2          | <b>A 962 715 NU</b> | 1 pcs | 26   | Pipe freestanding                      |                     |       |
| 9    | Cartridge + pos.8            | <b>A 860 621 NU</b> | 1 Set | 27   | Cylindrical screw M5x12 DIN912 Inox A2 |                     |       |
| 10   | Body                         |                     |       | 28   | O - ring Ø 53,57 x 3,53                | <b>A 962 530 NU</b> | 1 Set |
| 11   | Thread pin M6x8              | <b>F 960 985 NU</b> | 2 pcs | 29   | Escutcheon Ø 130mm                     |                     |       |
| 12   | O - ring Ø 39,94 x 2,62      | <b>A 960 331 NU</b> | 1 Set | 30   | Cylindrical screw M8x35                | <b>A 960 242 NU</b> | 1 pcs |
| 13   | Nipple for cutting ring      |                     |       | 31   | Screw flange                           |                     |       |
| 14   | Compression ring Ø10 inside  |                     |       | 32   | Screw ring                             |                     |       |
| 15   | Compression nut M15x1        |                     |       | 33   | Thread pin M5x6 DIN914                 | <b>A 962 041 NU</b> | 1 pcs |
| 16   | Connecting tube              |                     |       | 34   | Flex. hose G1/2 - 125cm                | <b>A 3306 AA</b>    | 1 pcs |
| 17   | Diverter complete            | <b>B 960 167 AA</b> | 1 Set | 35   | Hand spray                             | <b>F 960 900 AA</b> | 1 pcs |
| 18   | Pull knob                    | <b>B 960 486 AA</b> | 1 pcs | 36   | Flow regulator - 8l/min                | <b>B 961 093 NU</b> | 1 pcs |