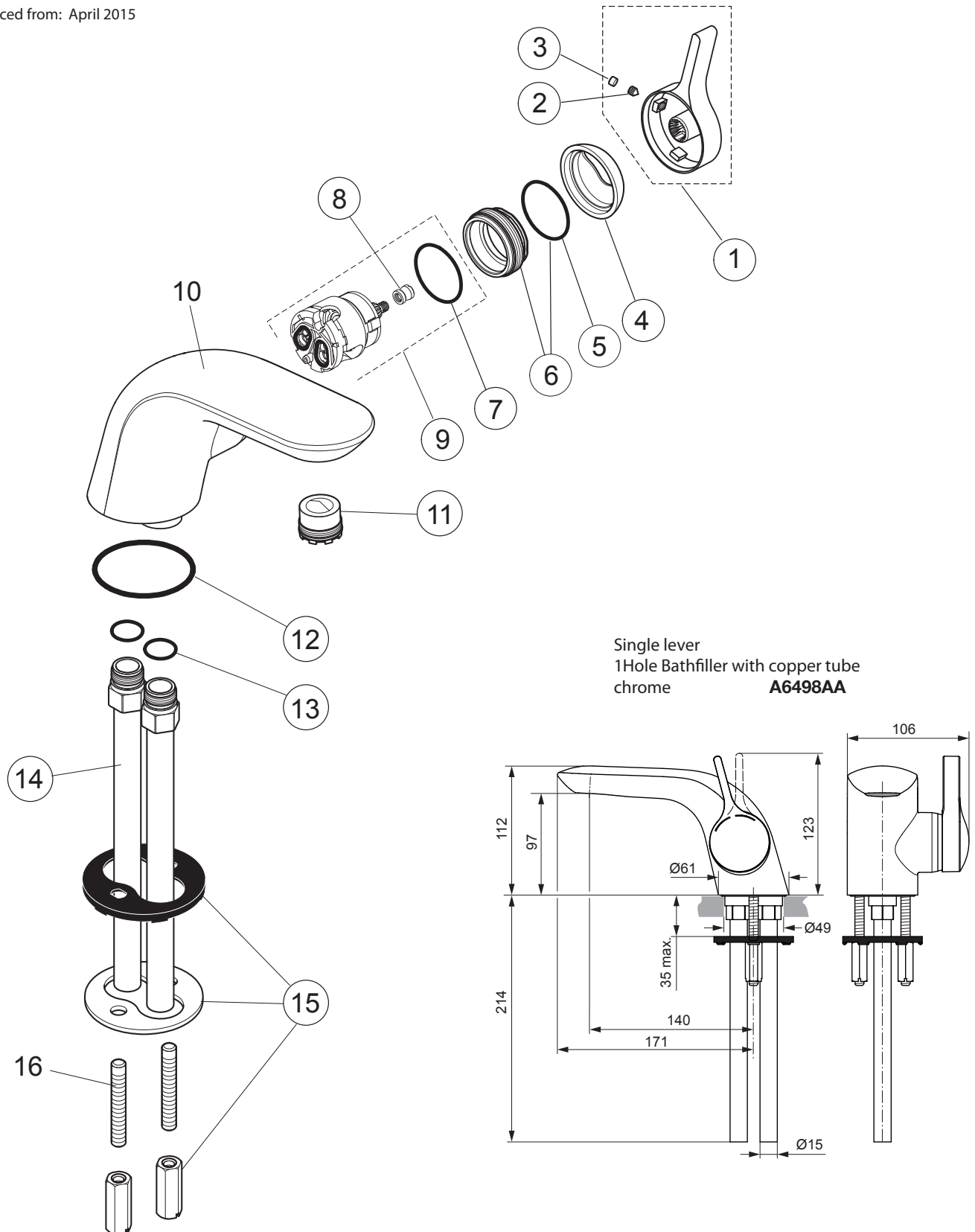


Produced from: April 2015



| Pos. | Description                  | Part-Number         | Qty.  | Pos. | Description             | Part-Number         | Qty.  |
|------|------------------------------|---------------------|-------|------|-------------------------|---------------------|-------|
| 1    | Lever cpl. with Logo Sottini | <b>A 860 962 AA</b> | 1 Set | 10   | Body Bathfiller         |                     |       |
| 2    | Thread pin M5x6 DIN914       | <b>A 963 667 NU</b> | 1 pcs | 11   | Aerator M24 x 1 + Key   | <b>A 960 412 NU</b> | 1 pcs |
| 3    | Rubber button                | <b>A 963 751 NU</b> | 1 pcs |      | Aerator key for Pos. 11 | <b>A 960 196 NU</b> | 1 pcs |
| 4    | Cartr. Cover (Cap)           | <b>A 961 485 AA</b> | 1 pcs | 12   | O - Ring Ø 50,39 x 3,53 | <b>A 963 157 NU</b> | 2 pcs |
| 5    | O - Ring Ø 28,3 x 1,78       | <b>A 961 667 NU</b> | 2 pcs | 13   | O - Ring Ø 15,6 x 1,78  | <b>A 963 916 NU</b> | 1 pcs |
| 6    | Clamping nut M43 x 1,5       | <b>N 960 019 AA</b> | 1 Set | 14   | Copper pipe cpl. Ø 15   | <b>A 960 133 NU</b> | 1 pcs |
| 7    | O - Ring Ø 35 x 3,2          | <b>A 962 715 NU</b> | 1 pcs | 15   | Fixation-set + Pos.12   | <b>A 960 205 NU</b> | 1 Set |
| 8    | Nut f. handle adaption       | <b>A 963 372 NU</b> | 1 pcs | 16   | Stud M8 x 56            |                     |       |
| 9    | Cartridge Multiport          | <b>A 960 145 NU</b> | 1 pcs |      |                         |                     |       |