

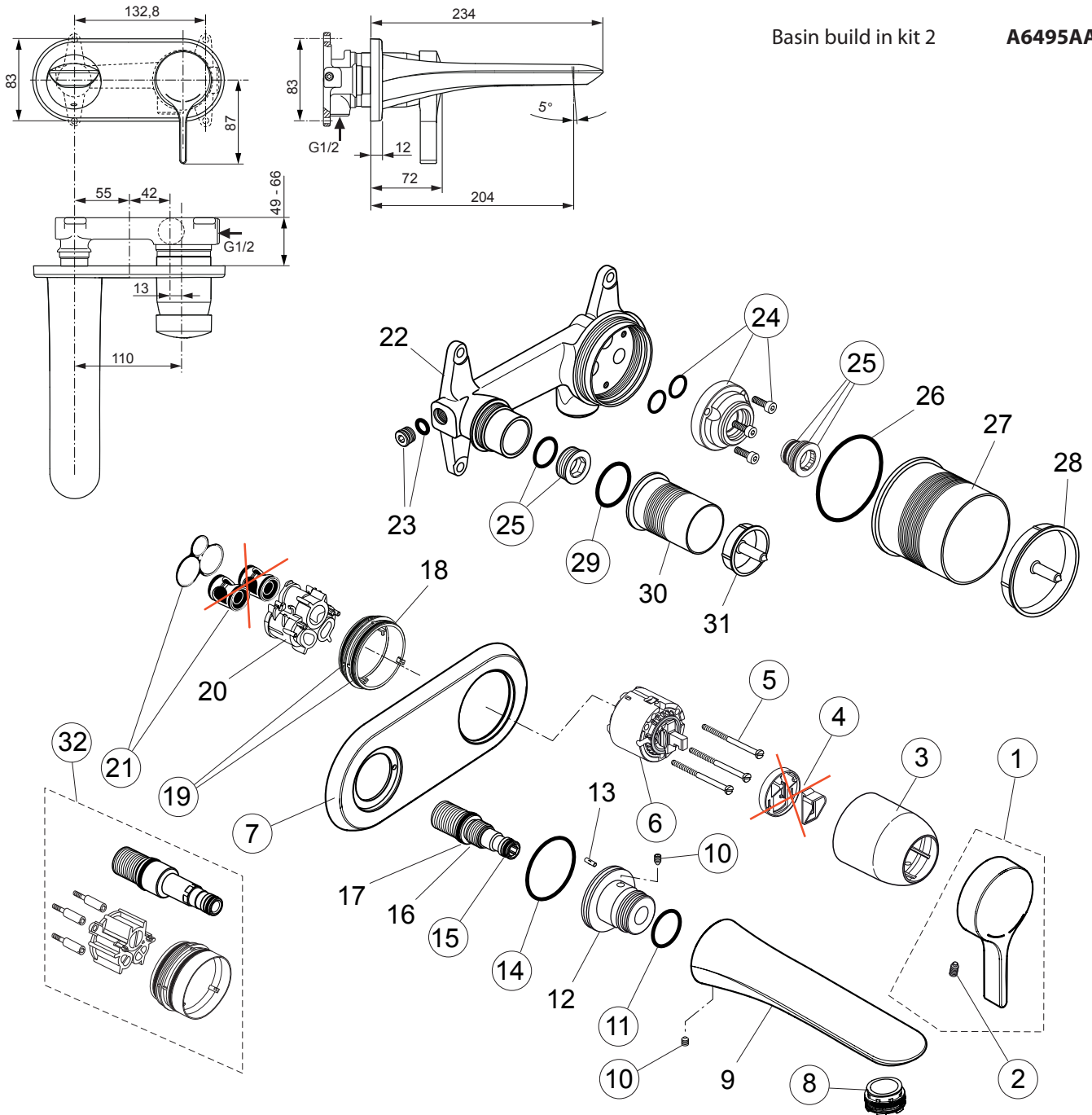
Produced since: **Aug. 2015**

Pre-installation kit 1

A5948NU

Basin build in kit 2

A6495AA



Pos.	Description	Part-Number	Qty.	Pos.	Description	Part-Number	Qty.
1	Lever cpl. with Logo Sottini	A 860 999 AA	1 Set	18	Plastic ring		
2	Thread pin M5x10 DIN915	A 963 309 NU	1 pcs	19	O - ring Ø 47,3 x 1,78	A 963 526 NU*	2 pcs
3	Cover cap	A 963 571 AA*	1 Set	20	Plastic insert		
4	ECO-kit			21	Low noise insert complete	A 963 524 NU	1 Set
5	Cylindrical screw M4x69	A 963 783 NU	3 pcs	22	Body (built-in)		
6	Cartridge with pos. 4	A 960 500 NU*	1 Set	23	Superior block M10x1		
7	Escutcheon	F 960 981 AA	1 pcs	24	Flushing device complete	F 960 881 NU	1 Set
8	Aerator-5l/min + Key	A 962 079 NU	1 Set	25	Plug with o-ring	A 963 548 NU	1 Set
9	Spout 200mm projection			26	O - ring Ø 54 x 2,5		
10	Thread pin M6x8 DIN914	A 860 691 NU	1 pcs	27	Plaster guard for cartridge		
11	O - ring Ø 28 x 3	A 960 071 NU	2 pcs	28	Cover for pos. 27		
12	Connector spout			29	O - ring Ø 26 x 2,5	A 860 845 NU	1 pcs
13	Groove pin 3x10 DIN1474			30	Plaster guard for spout		
14	O - ring Ø 41 x 1,78	A 961 863 NU	1 pcs	31	Cover for pos. 30		
15	O - ring Ø 10 x 2	A 963 495 NU	2 pcs	32	Extension kit 20mm longer	F 960 866 NU	1 Set
16	Connector nipple						
17	O - ring Ø 19 x 2,5						

* Universal-Set (not all parts needed)