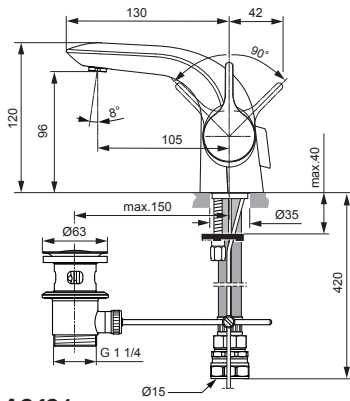
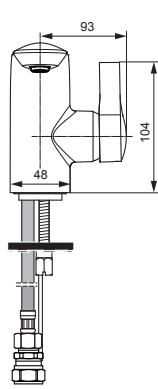


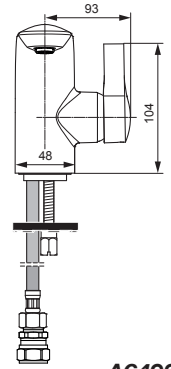
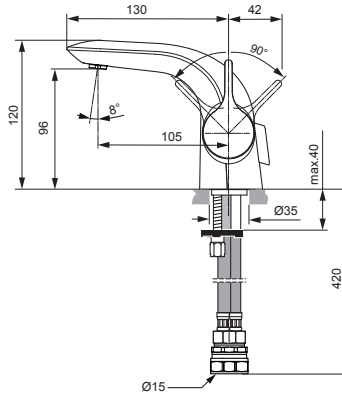
Produced from: Aug. 2015



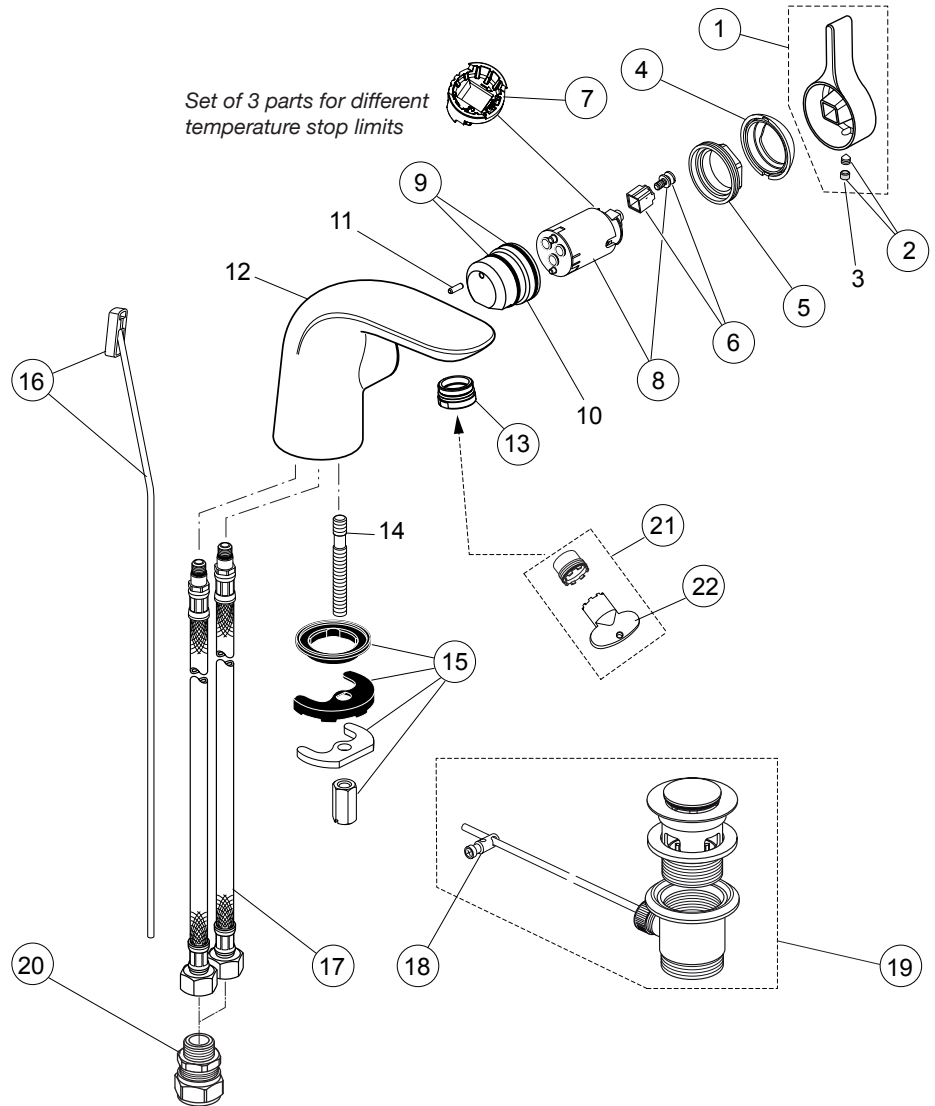
A6491..



A6492..



Set of 3 parts for different temperature stop limits



Single lever basin mixer with flex. hose G3/8 and pop-up waste chrome **A6491AA**

Single lever basin mixer with flex. hose G3/8 without pop-up waste chrome **A6492AA**

Pos.	Description	Part-Number	Qty.	Pos.	Description	Part-Number	Qty.
1	Lever cpl. with Logo Sottini	<b>A 860 963 AA</b>	1 Set	14	Stud M8 x 63		
2	Thread pin M5x5 DIN916	<b>A 962 041 NU</b>	1 pcs	15	Fixation-set	<b>A 964 520 NU</b>	1 pcs
3	Rubber button	<b>A 963 751 NU</b>	1 pcs	16	Pull Knob with rod	<b>F 960 976 AA</b>	1 pcs
4	Cartr. Cover (Cap)	<b>F 960 975 AA</b>	1 pcs	17	Flex. hose M8x1 / G3/8	<b>A 962 370 NU</b>	1 pcs
5	Clamping nut M36 x 1	<b>B 961 087 NU</b>	1 pcs	18	Bracket	<b>A 963 404 NU</b>	1 pcs
6	Handle insert + screw	<b>B 961 086 NU</b>	1 Set	19	Pop-up waste complete	<b>B 960 853 AA</b>	1 pcs
7	Hot water limiter - 3 parts	<b>B 961 088 NU</b>	1 Set	20	Connector G3/8 D15	<b>B 960 845 NU</b>	1 pcs
8	Cartridge cpl. K-28A	<b>F 960 855 NU</b>	1 Set	21	Aerator M18x1 w. key	<b>A 960 197 NU</b>	1 pcs
9	O - Ring Ø 28,3 x 1,78	<b>A 961 667 NU</b>	2 pcs	22	Aerator key - Universal set for Pos. 13 and 21	<b>A 960 196 NU*</b>	1 pcs
10	Plastic insert for Body ( manifold )						
11	Clamping pin						
12	Body ( Lavy )						
13	Stream regulator M21,5x1	<b>A 962 075 AA</b>	1 pcs				

\* Universal-Set (not all parts needed)