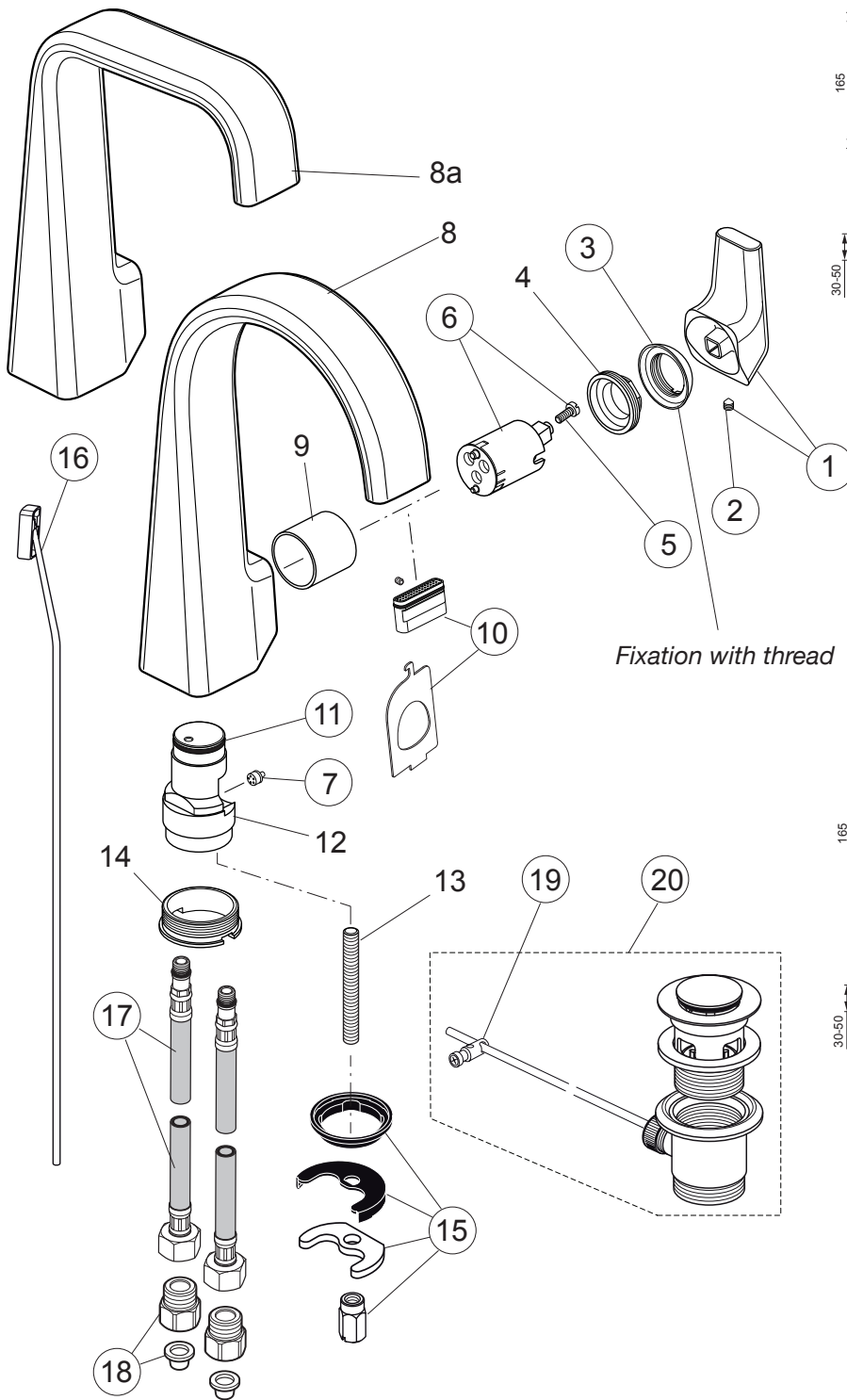
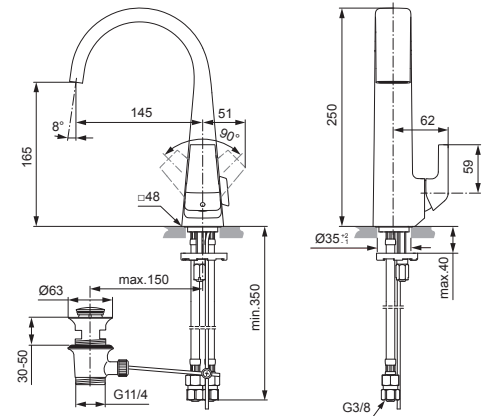


Produced from: Aug. 2015

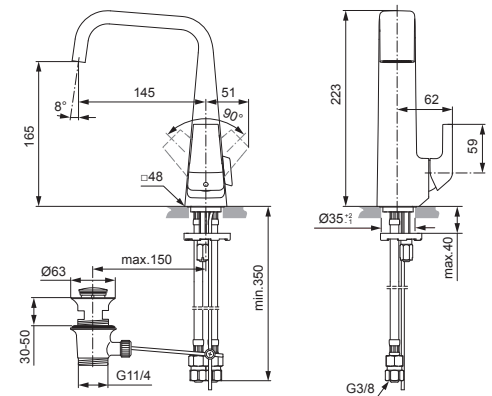


Fixation with thread



**SL basin mixer,**  
with pop-up waste  
with flex. hose  
chrome **A6480AA**

without pop-up waste  
with flex. hose  
chrome **A6481AA**



**SL basin mixer,**  
with pop-up waste  
with flex. hose  
chrome **A6482AA**

without pop-up waste  
with flex. hose  
chrome **A6483AA**

Pos.	Description	Part-Number	Qty.	Pos.	Description	Part-Number	Qty.
1	Lever cpl. with red/blue	<b>F 960 850 AA</b>	1 Set	11	O - Ring Ø 22,3 x 2,4	<b>F 960 843 NU</b>	1 pcs
2	Thread pin M5x6 DIN914	<b>A 860 603 NU</b>	1 pcs	12	Manifold insert		
3	Cover cap M24x1 inside	<b>F 960 854 AA</b>	1 pcs	13	Bolt M8 x 77		
4	Clamping nut M33/M24x1 outside			14	Clamping nut M39 x 1		
5	Cylindrical screw M4 x 10	<b>A 960 230 NU</b>	2 pcs	15	Fixation kit	<b>B 960 432 NU*</b>	1 Set
6	Cartridge with screw	<b>F 960 855 NU</b>	1 pcs	16	Lift rod complete	<b>F 960 857 AA</b>	1 Set
7	Flow limiter	<b>F 960 856 NU</b>	1 pcs	17	Flex. hose M8x1 / G3/8	<b>A 962 370 NU</b>	1 pcs
8	Body ( curve design )			18	Connector with strainer	<b>A 962 215 AA</b>	1 pcs
8a	Body ( arc design )			19	Bracket	<b>A 961 172 NU</b>	1 pcs
9	Sleeve Ø 31,4 x 29	<b>A 961 114 NU</b>	1 pcs	20	Pop-up waste complete	<b>A 961 230 AA</b>	1 Set
10	Flow straightener complete	<b>A 962 294 NU</b>	1 Set				

\*Universal set (not all parts needed)