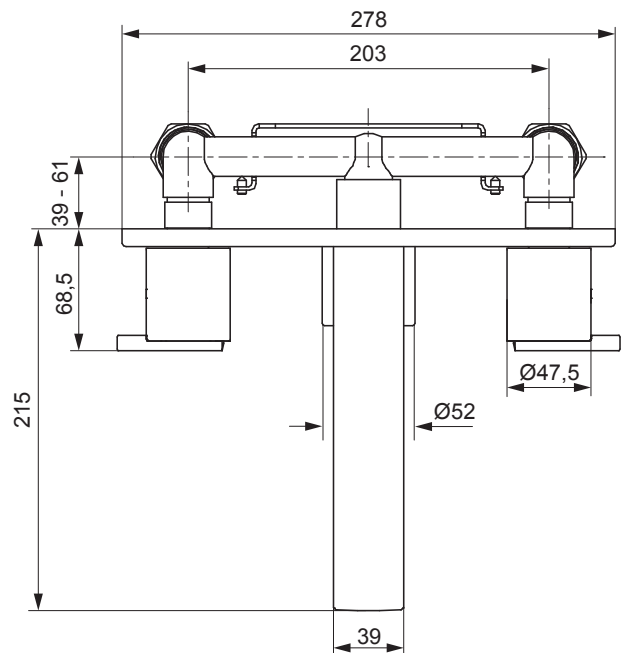
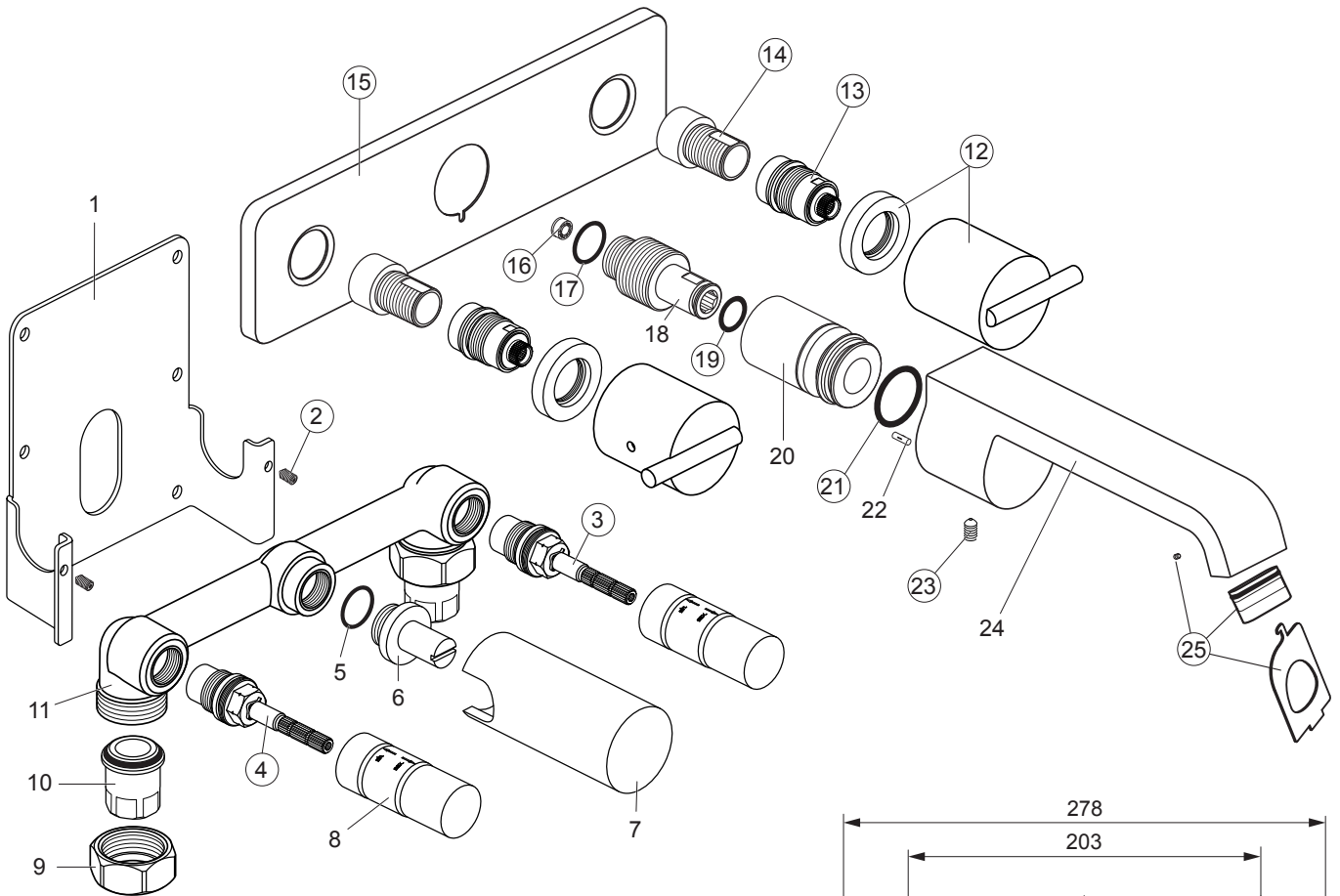


Produced since: Aug. 2015



Pre-Installation Kit **A4475NU**

Wall mounted Lavy /
chrome **A6475AA**

| Pos. | Description | Part-Number | Qty. | Pos. | Description | Part-Number | Qty. |
|------|-------------------------|---------------------|-------|------|------------------------------|---------------------|-------|
| 1 | Holder | | | 14 | Adapter | H 960 855 NU | 1 pcs |
| 2 | Thread pin DIN914-M5x10 | | | 15 | Cover plate | A 962 013 AA | 1 pcs |
| 3 | Cartridge 1/2" right | A 961 761 NU | 1 pcs | 16 | Flow control 6l/min. | A 860 615 NU | 1 pcs |
| 4 | Cartridge 1/2" left | H 960 521 NU | 1 pcs | 17 | O-ring 18x2 | A 962 869 NU | 2 pcs |
| 5 | O-ring 18x2,,NSF" | | | 18 | Nipple | | |
| 6 | Plug connection | | | 19 | O-ring 13x2,5 | A 962 728 NU | 2 pcs |
| 7 | Plaster guard | | | 20 | Nipple | | |
| 8 | Cover sleeve | | | 21 | O-ring 28x3 | A 960 071 NU | 2 pcs |
| 9 | Coupling nut | | | 22 | Grooved pin | | |
| 10 | Nipple 1/2" | | | 23 | Threaded pin M6x10 | A 962 857 NU | 1 pcs |
| 11 | Body Ecowave | | | 24 | Wall spout with Logo Sottini | | |
| 12 | Handle cpl. | H 960 838 AA | 1 Set | 25 | Aerator cpl. | A 962 294 NU | 1 Set |
| 13 | Sleeve | H 960 836 NU | 1 pcs | | | | |

* Universal-Set (not all parts needed)