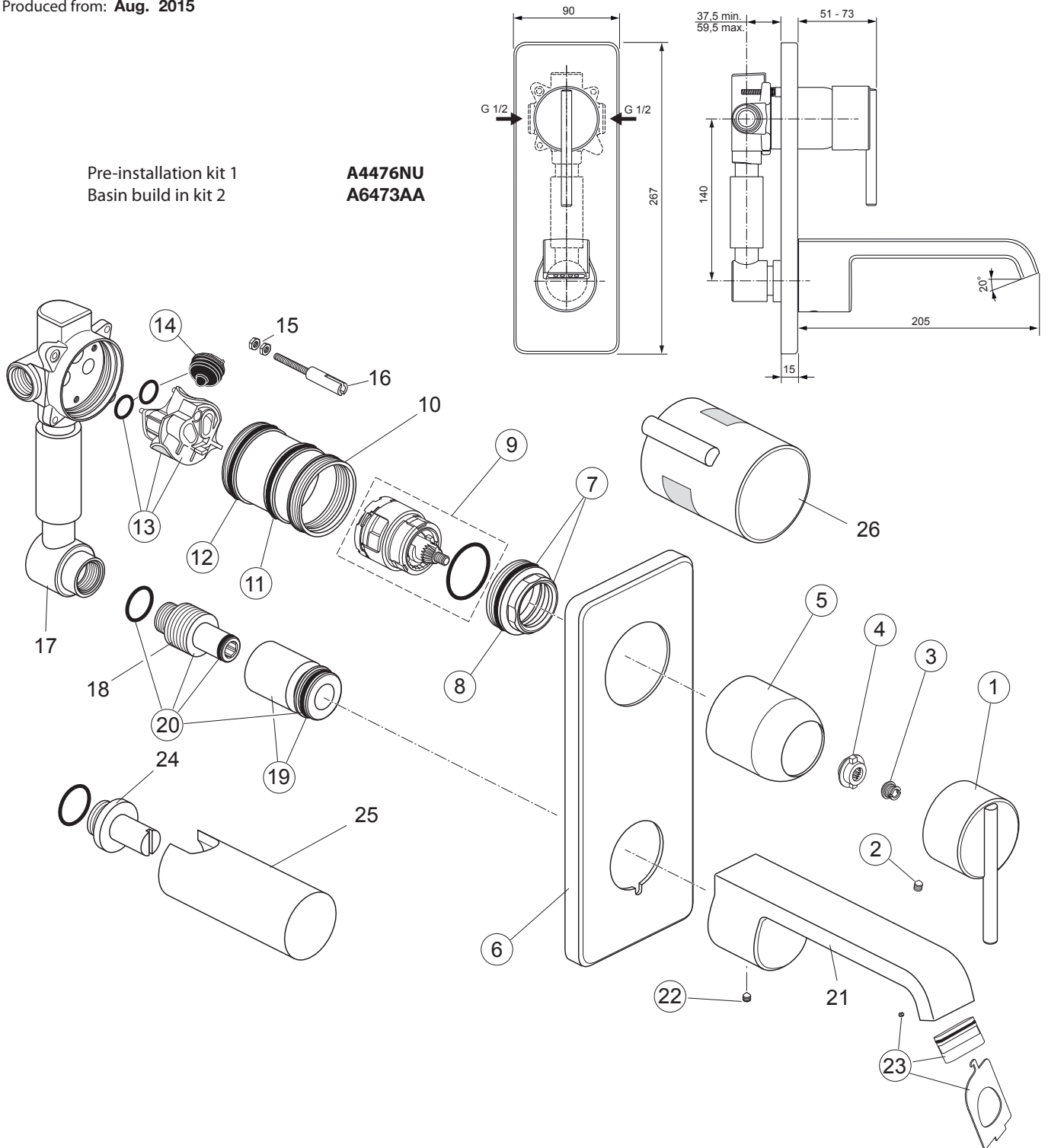


Produced from: Aug. 2015

Pre-installation kit 1
Basin build in kit 2

A4476NU
A6473AA



Pos.	Description	Part-Number	Qty.	Pos.	Description	Part-Number	Qty.
1	Handle	A 960 096 AA	1 pcs	15	Hexagon nut M4		
2	Thread pin M5 x 6 Din 914	A 963 667 NU*	1 Set	16	Fixation sleeve		
3	Srew for handle	A 960 033 NU	1 pcs	17	Body		
4	Adapter for handle	A 960 034 NU	1 pcs	18	Nipple		
5	Cover cap	A 960 048 AA	1 pcs	19	Nipple w. o-ring Ø 28 x 3	A 960 251 NU	1 Set
6	Escutcheon	A 960 097 AA	1 pcs	20	O-ring set + pos.18	A 960 250 NU	1 Set
7	Thread ring M45x1,5 + pos.8	A 962 944 NU	1 Set	21	Spout		
8	O-ring Ø 41 x 1,78	A 961 863 NU	1 pcs	22	Thread pin M6 x 10 Din 4027	A 962 857 NU	1 pcs
9	Cartridge MP Ø40	A 860 308 NU	1 pcs	23	Aerator cpl. with key	A 962 294 NU	1 Set
10	Clamping ring			24	Pipe plug		
11	O-ring Ø 44,04 x 3,53	A 963 413 NU	1 pcs	25	Plaster guard (spout)		
12	O-Ring 47,30x 1,78	A 963 160 NU	1 pcs	26	Plaster guard (cartridge)		
13	Insert cpl.	A 963 445 NU	1 Set				
14	Noise reducer cpl.	A 963 411 NU	1 Set				

*Universal set (not all parts needed)