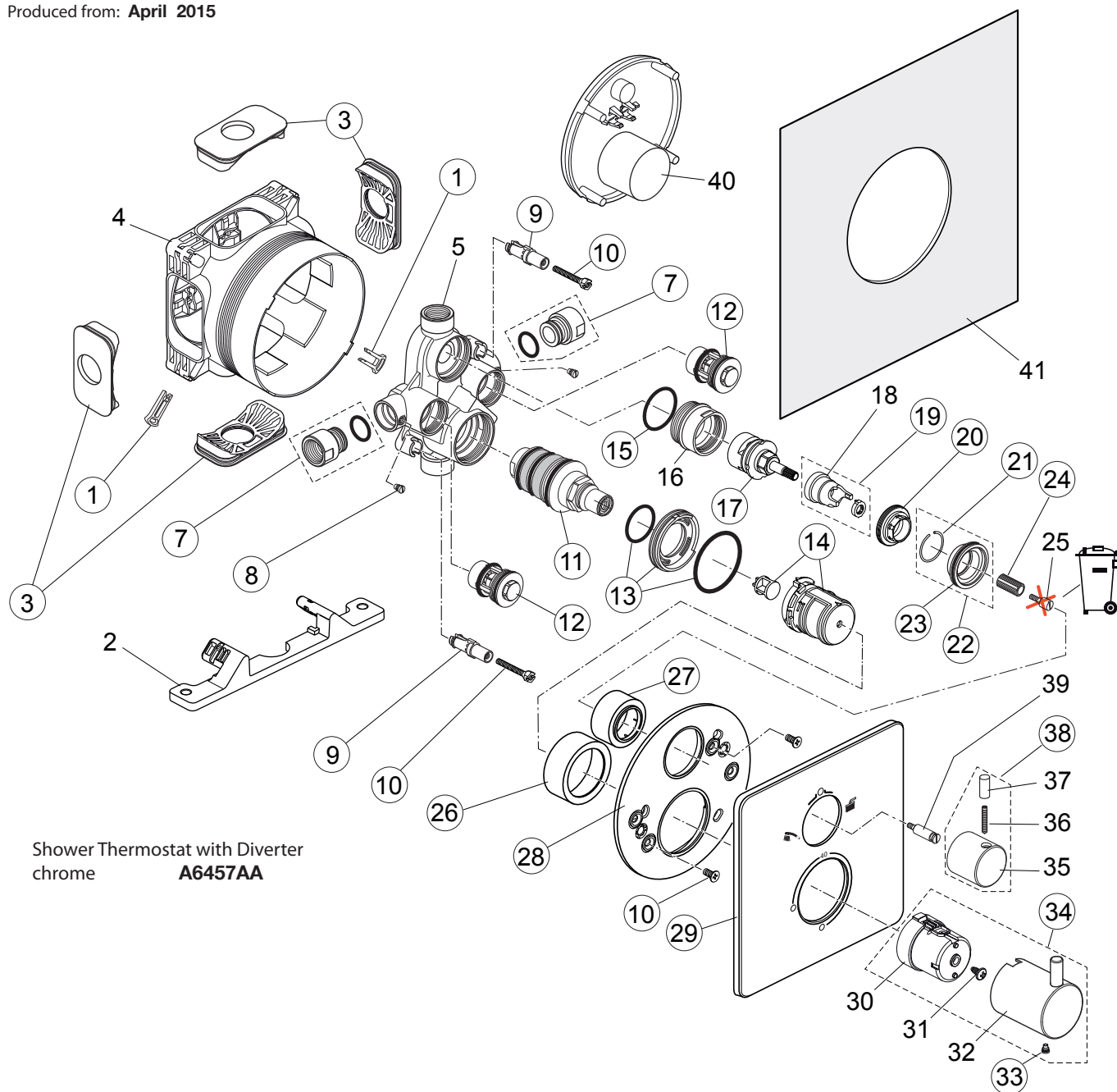


Produced from: April 2015



Shower Thermostat with Diverter  
chrome **A6457AA**

Pos.	Description	Part-Number	Qty.	Pos.	Description	Part-Number	Qty.
1	Adjustment lock	<b>A 963 131 NU*</b>	1 Set	23	O - ring Ø 34 x 2	<b>A 960 183 NU</b>	2 pcs
2	Fixation Built-in Box			24	Handle insert	<b>A 963 196 NU</b>	2 pcs
3	Side sealing	<b>A 963 132 NU</b>	1 Set	25	Fixation screw M4 / Ø8 / 22,5		
4	Built-in box			26	Cover / Cap Temperature	<b>F 960 910 AA</b>	1 pcs
5	Body Thermostat with Volume control			27	Cover / Cap Volume Contr.	<b>F 960 911 AA</b>	1 pcs
7	Connection nipple cpl.	<b>F 960 899 NU</b>	1 Set	28	Escutcheon holder compl.	<b>F 960 912 NU</b>	1 pcs
8	Thread pin M5 x 5,5	<b>A 961 183 NU</b>	1 pcs	29	Escutcheon Temp./Volume	<b>F 961 136 AA</b>	1 pcs
9	Adapter screw	<b>F 960 903 NU</b>	2 pcs	30	Handle insert		
10	Screw set complete	<b>F 960 904 NU*</b>	1 Set	31	Ejot-PT Screw KB50x10		
11	Thermostat cartridge	<b>F 960 905 NU</b>	1 pcs	32	Handle		
12	None-return valve DN20	<b>F 960 906 NU</b>	1 pcs	33	Handle screw M5x5	<b>A 961 095 NU</b>	1 pcs
13	Holder f. escutcheon Temp.	<b>F 960 907 NU</b>	1 Set	34	Handle Therm cpl.	<b>F 961 115 AA*</b>	1 Set
14	Temp.-adjustment cpl.	<b>F 960 908 NU</b>	1 Set	35	Volume handle		
15	O - ring Ø 31,47 x 1,78	<b>A 963 154 NU</b>	1 pcs	36	Thread pin M4 x 25 DIN914		
16	Thread ring M40 x 1,5			37	Handle pin		
17	Stop valve with diverter	<b>A 962 480 NU</b>	1 Set	38	Vol. handle cpl. w. Logo	<b>A 860 956 AA</b>	1 Set
18	Clamp cover			39	Fixation screw M4 Ø8 / 32		
19	Clamp cover with washer	<b>A 962 481 NU</b>	1 Set	40	Cover for built-in box		
20	Clamping nut M36 x 1			41	Sealing fleece		
21	Snap ring	<b>A 962 368 NU</b>	1 pcs		Extension kit 22mm	<b>A 6134 AA</b>	1 Set
22	Holder f. escutcheon Vol.	<b>F 960 909 NU</b>	1 Set				

\* Universal-Set - not all parts are needed