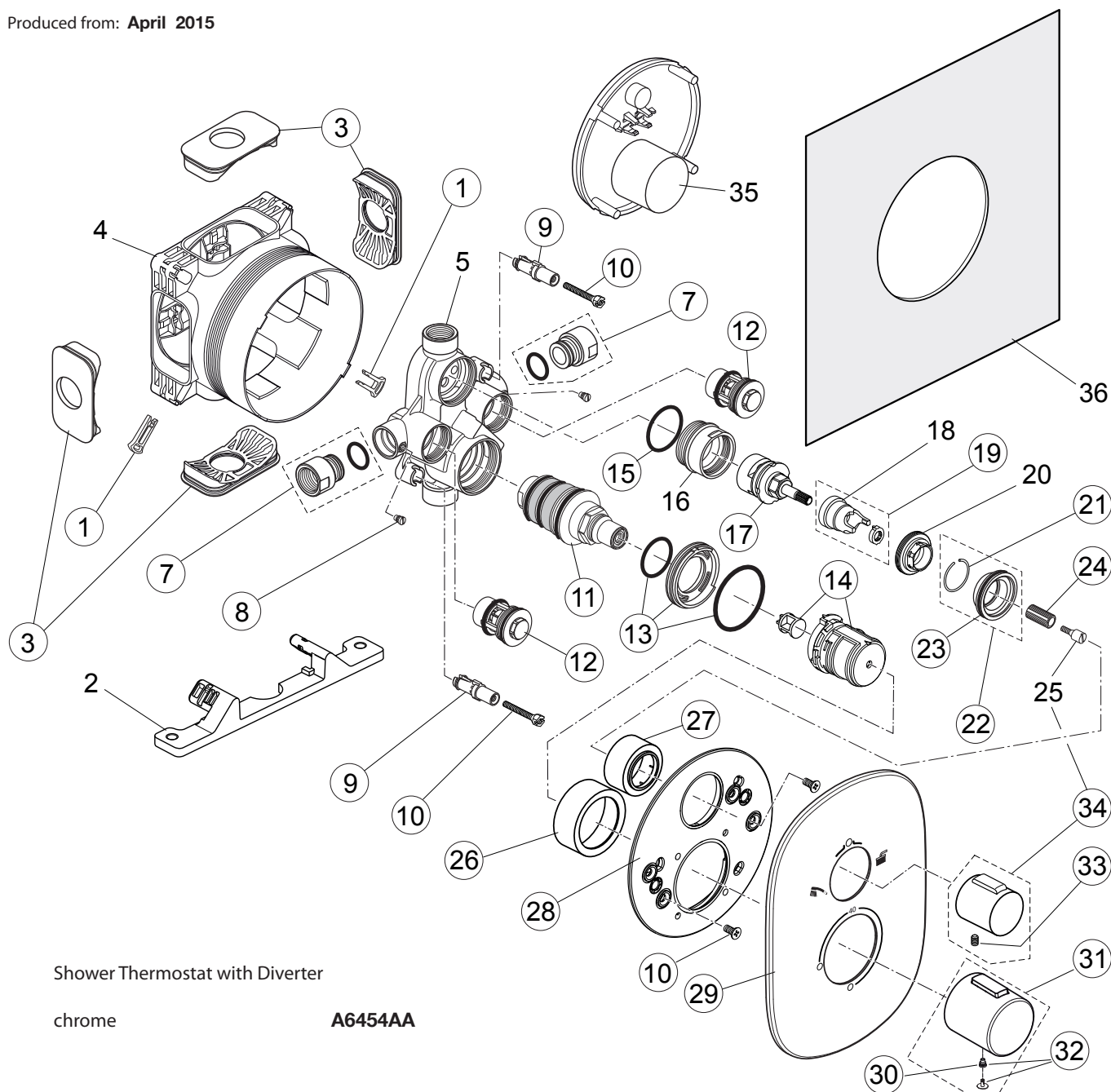


Produced from: April 2015



Shower Thermostat with Diverter

chrome

A6454AA

Pos.	Description	Part-Number	Qty.	Pos.	Description	Part-Number	Qty.
1	Adjustment lock	A 963 131 NU*	1 Set	21	Snap ring	A 962 368 NU	1 pcs
2	Fixation Built-in Box			22	Holder f. escutcheon Vol.	F 960 909 NU	1 Set
3	Side sealing	A 963 132 NU	1 Set	23	O - ring Ø 34 x 2	A 960 183 NU	2 pcs
4	Built-in box			24	Handle insert	A 963 196 NU	2 pcs
5	Body Thermostat with Volume control			25	Fixation screw M4 / Ø8 / 22,5		
7	Connection nipple cpl.	F 960 889 NU	1 Set	26	Cover / Cap Temperature	F 960 910 AA	1 pcs
8	Thread pin M5 x 5,5	A 961 183 NU	1 pcs	27	Cover / Cap Volume Contr.	F 960 911 AA	1 pcs
9	Adapter screw	F 960 903 NU	2 pcs	28	Escutcheon holder cpl.	F 961 108 NU	1 pcs
10	Screw set complete	F 960 904 NU*	1 Set	29	Escutcheon with symbols	F 960 006 AA	1 pcs
11	Thermostat cartridge	F 960 905 NU	1 pcs	30	Handle screw M5x5	A 961 095 NU	1 pcs
12	None return-valve DN20	F 960 906 NU	1 pcs	31	Handle Therm w/o print	F 960 952 AA*	1 pcs
13	Holder f. escut. Temp.	F 960 907 NU	1 Set	32	Cap with screw	A 962 149 AA	1 Set
14	Temp.-adjustment cpl.	F 960 908 NU	1 Set	33	Thread pin M5 x 8 DIN913	A 960 229 NU	1 pcs
15	O - ring Ø 34,65 x 1,78	A 962 848 NU	2 pcs	34	Vol. handle w. Logo + pos. 25	A 860 957 AA	1 Set
16	Thread ring M40 x 1,5			35	Cover for built-in box		
17	Stop valve with diverter	A 962 480 NU	1 Set	36	Sealing fleece		
18	Clamp cover				Extension kit 22mm	A 6134 AA	1 Set
19	Clamp cover with washer	A 962 481 NU	1 Set				
20	Clamping nut M36 x 1						

* Universal-Set - not all parts are needed