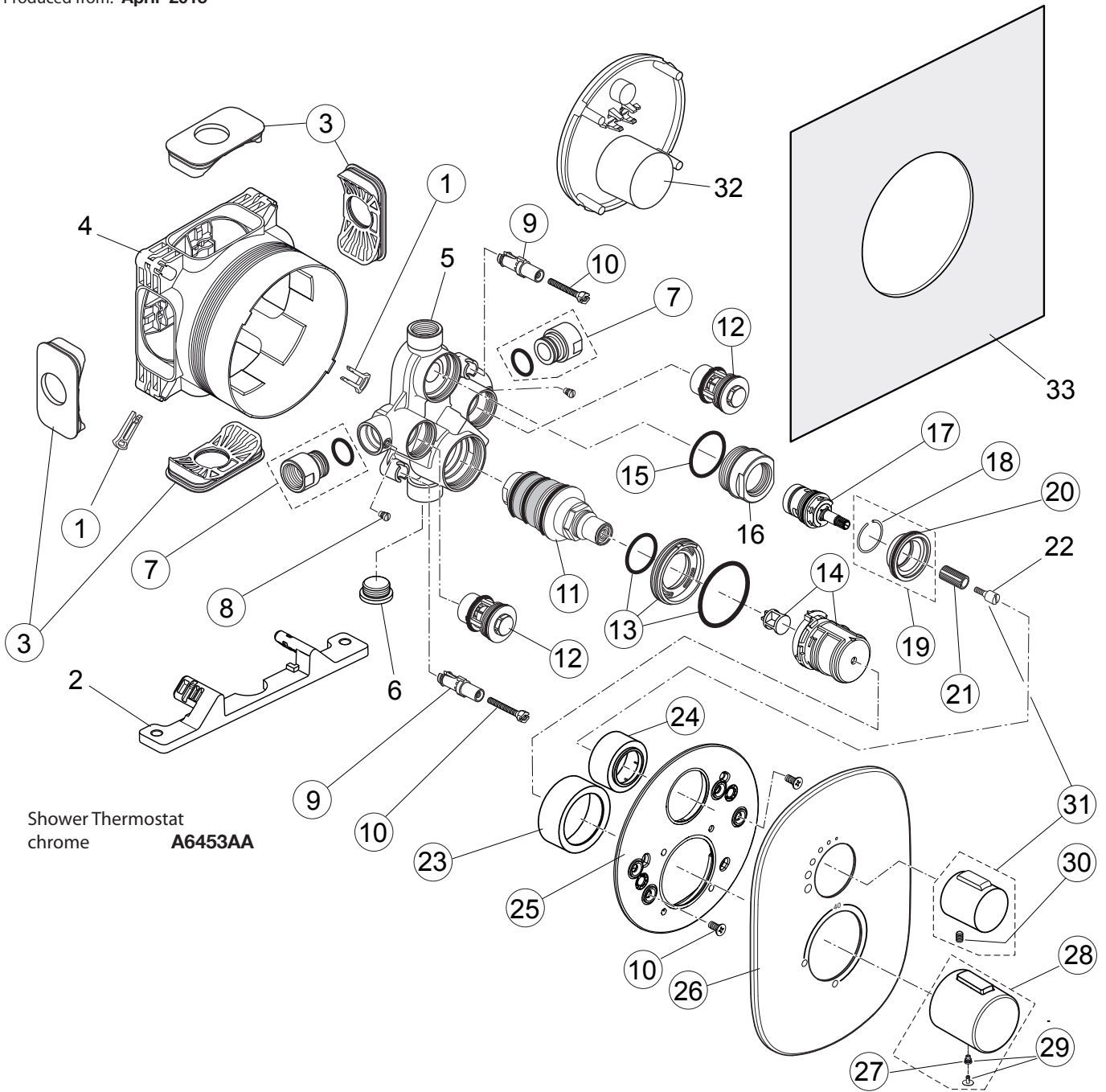


Produced from: April 2015



Shower Thermostat
chrome **A6453AA**

Pos.	Description	Part-Number	Qty.	Pos.	Description	Part-Number	Qty.
1	Adjustment lock	A 963 131 NU*	1 Set	19	Holder f. escutcheon Vol.	F 960 909 NU	1 Set
2	Fixation Built-in Box			20	O - ring Ø 34 x 2	A 960 183 NU	2 pcs
3	Side sealing	A 963 132 NU	1 Set	21	Handle insert	A 963 196 NU	2 pcs
4	Built-in box			22	Fixation screw M4 / Ø8 / 22,5		
5	Body Thermostat with Volume control			23	Cover / Cap Temperature	F 960 910 AA	1 pcs
6	Plug G1/2			24	Cover / Cap Volume Contr.	F 960 911 AA	1 pcs
7	Connection nipple cpl.	F 960 899 NU	1 Set	25	Escutcheon holder cpl.	F 960 912 NU	1 pcs
8	Thread pin M5 x 5,5	A 961 183 NU	1 pcs	26	Escutcheon Temp./Volume	F 961 043 AA	1 pcs
9	Adapter screw	F 960 903 NU	2 pcs	27	Handle screw M5x5	A 961 095 NU	1 pcs
10	Screw set complete	F 960 904 NU*	1 Set	28	Handle Therm w/o print	F 960 952 AA*	1 pcs
11	Thermostat cartridge	F 960 905 NU	1 pcs	29	Cap with screw	A 962 149 AA	1 Set
12	None-return valve DN20	F 960 906 NU	1 pcs	30	Thread pin M5 x 8 DIN913	A 960 229 NU	1 pcs
13	Holder f. escutcheon Temp.	F 960 907 NU	1 Set	31	Vol. handle w. Logo + pos. 22	A 860 957 AA	1 Set
14	Temp.-adjustment cpl.	F 960 908 NU	1 Set	32	Cover for built-in box		
15	O - ring Ø 31,47 x 1,78	A 963 154 NU	1 pcs	33	Sealing fleece		
16	Thread ring M36 x 1,5				Extension kit 22mm	A 6134 AA	1 Set
17	Headwork G3/4 - 90°	A 960 898 NU	1 pcs				
18	Snap ring	A 962 368 NU	1 pcs				

* Universal-Set - not all parts are needed