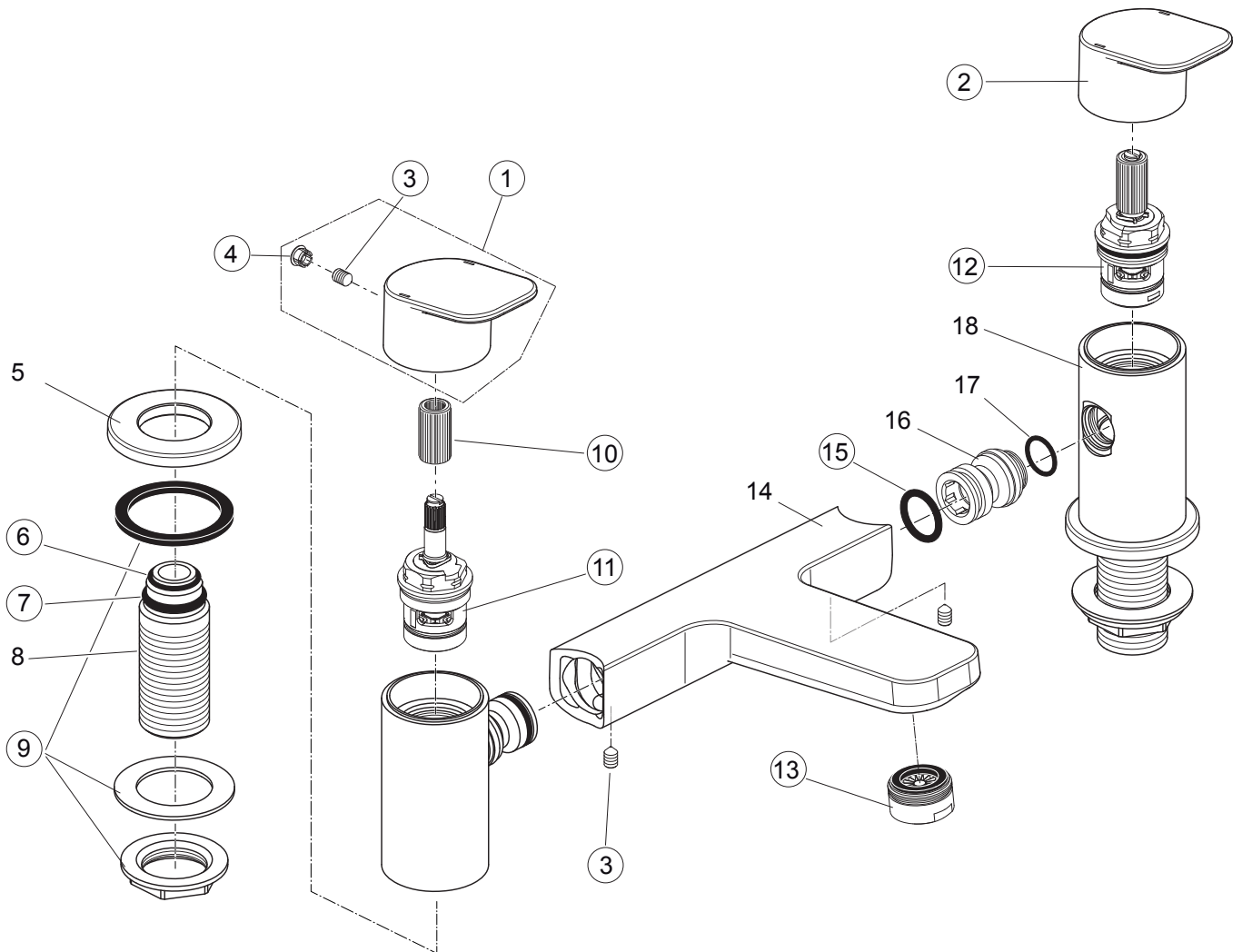
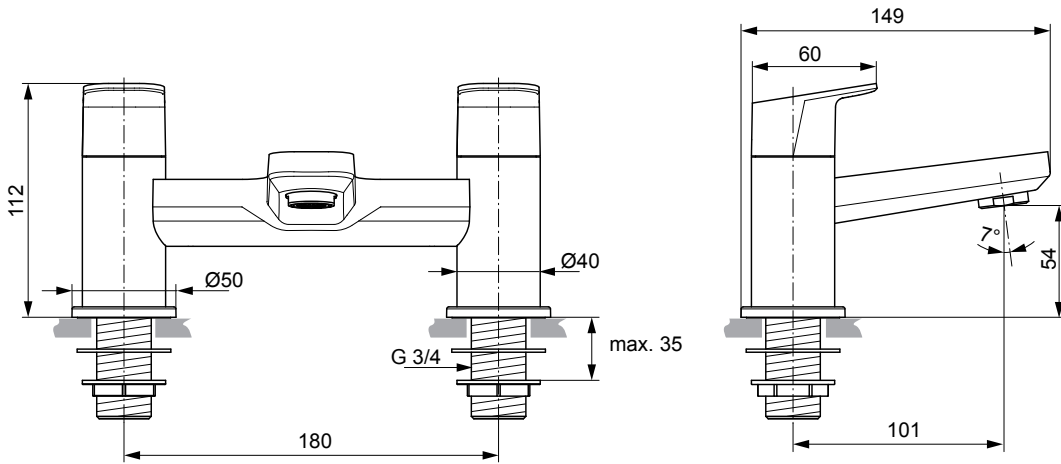


# Tonic II A6353..



Produced from: March 2015

Bath Filler rim-mounted  
chrome **A6353AA**



Pos.	Description	Part-Number	Qty.	Pos.	Description	Part-Number	Qty.
1	Handle cpl. red marked	<b>A 860 923 AA</b>	1 Set	11	Cartridge clsd. anti-clockw.	<b>A 961 010 NU</b>	1 pcs
2	Handle cpl. blue marked	<b>A 860 924 AA</b>	1 Set	12	Cartridge closed clockwise	<b>A 960 462 NU</b>	1 pcs
3	Screw M5 x 6 DIN 914	<b>F 961 001 NU</b>	1 pcs	13	Aerator M24x1	<b>A 961 625 AA</b>	1 pcs
4	Handle cap	<b>A 960 396 AA</b>	1 pcs	14	Body (Bath filler)		
5	Escutcheon			15	O - Ring Ø 16 x 2,5	<b>A 961 326 NU</b>	2 pcs
6	O - Ring Ø 31,47 x 1,78	<b>A 961 640 NU</b>	2 pcs	16	Connector nipple		
7	O - Ring Ø 19 x 2,50	<b>A 860 187 NU</b>	1 pcs	17	O - Ring Ø 13 x 1,5		
8	Connector G3/4"			18	Body (Cartridge)		
9	Fixation Kit	<b>B 960 471 NU</b>	1 Set		Aerator Key	<b>A 960 196 NU</b>	1 Set
10	Handle adaptor	<b>N 042 677 NU</b>	2 pcs				