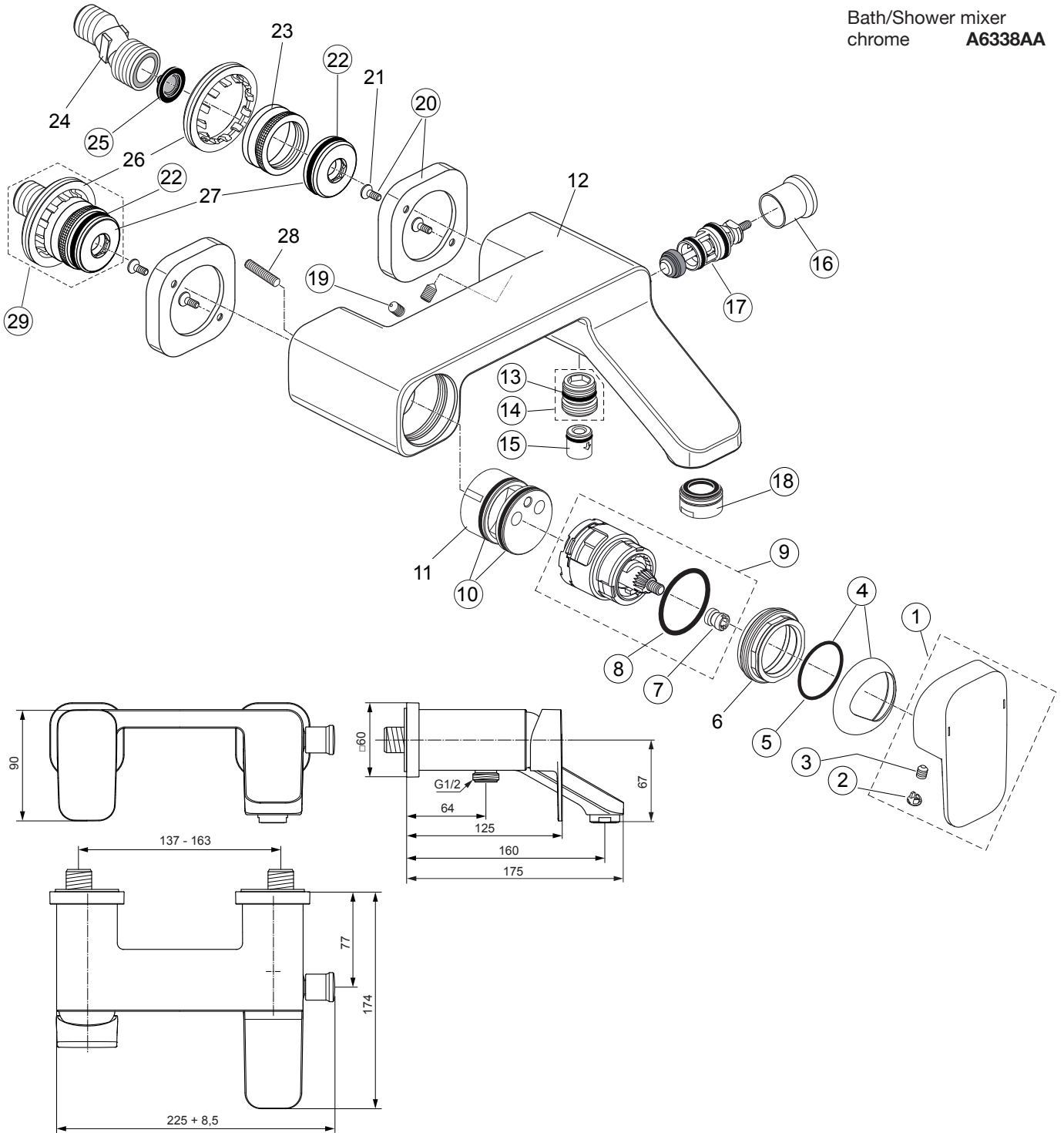


Tonic II A6338..



Produced from: March 2015

Bath/Shower mixer
chrome **A6338AA**



Pos.	Description	Part-Number	Qty.	Pos.	Description	Part-Number	Qty.
1	Lever cpl. with red/blue	A 860 925 AA	1 Set	16	Pull knob	A 963 537 AA	1 pcs
2	Handle cap	B 960 473 AA	1 pcs	17	Diverter complete	A 860 780 AA	1 pcs
3	Thread pin M5x6 DIN914	A 860 603 NU	1 pcs	18	Aerator M24X1	A 961 132 AA	1 pcs
4	Cover cap with o-ring	F 960 874 AA	1 Set	19	Thread pin M6x10 DIN914	A 962 857 NU	1 pcs
5	O - ring Ø 28,3 x 1,78	A 961 667 NU	2 pcs	20	Escutcheon + Pos.18	A 860 927 AA	1 Set
6	Thread ring M43 x 1,5			21	Countersunk screw M4x10		
7	Handle adapter	A 963 372 NU	1 pcs	22	O - ring Ø 28 x 3	A 960 071 NU	2 pcs
8	O - ring Ø 35 x 3,2	A 962 715 NU	1 pcs	23	Lock nut G3/4		
9	Cartridge Multiport cpl.	A 962 716 NU	1 Set	24	S-Connector		
10	O - ring Ø 33,05 x 1,78	A 860 926 NU	2 pcs	25	Ring / strainer (screen)	A 962 595 NU	2 pcs
11	Manifold			26	Plastic ring for escutcheon		
12	Body			27	Coupling nut G3/4		
13	O - ring Ø 17 x 2	A 961 810 NU	2 pcs	28	Thread pin M5x25 DIN914		
14	Nipple G1/2 cpl.	A 963 651 NU	1 Set	29	S-Connector cpl.	F 961 128 NU	1 Set
15	Non-return valve DW15	A 962 594 NU	2 pcs				