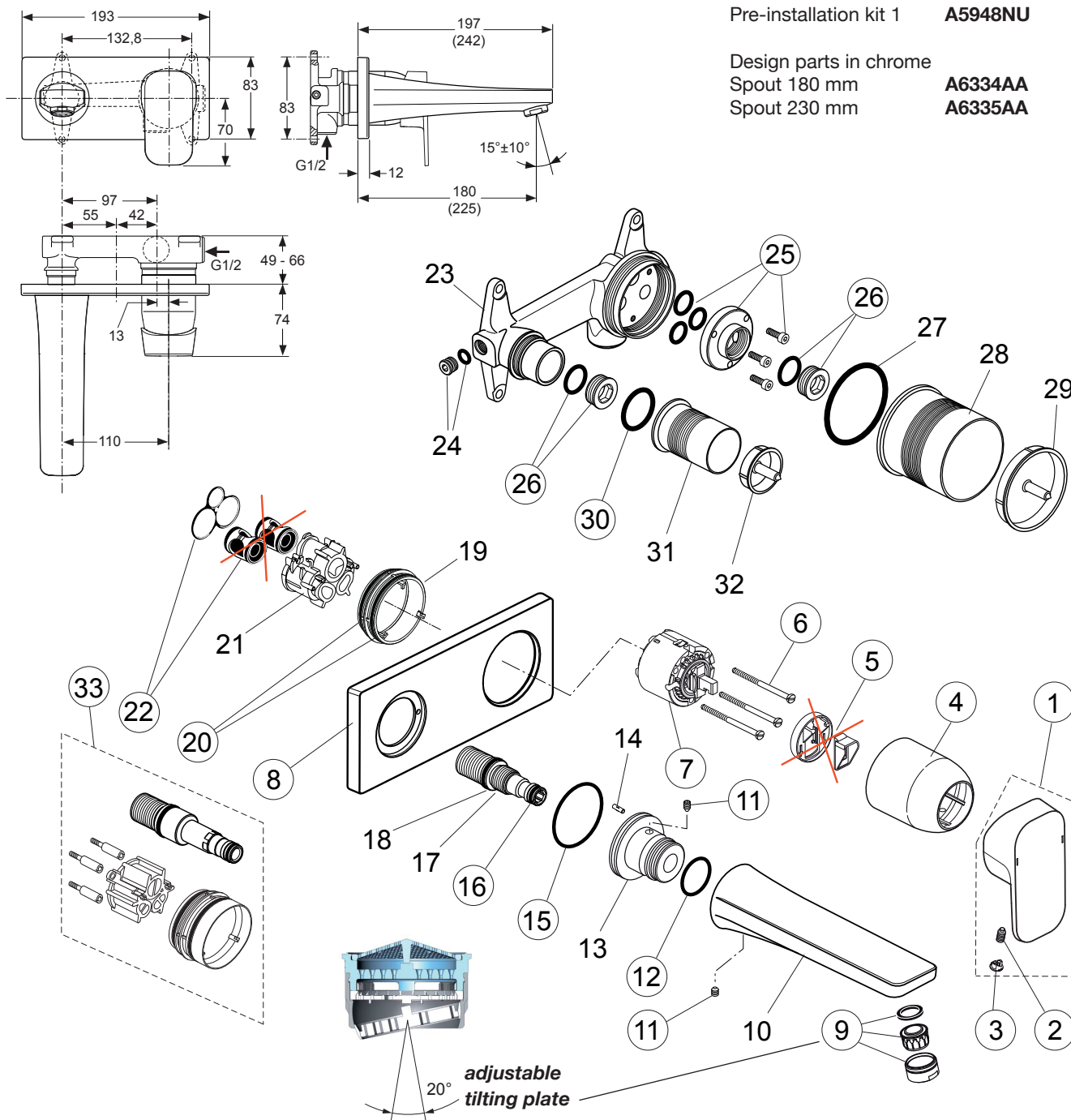


Tonic II A6334.. A6335..

Produced since: **March. 2015**



Pre-installation kit 1 **A5948NU**

Design parts in chrome
 Spout 180 mm **A6334AA**
 Spout 230 mm **A6335AA**

Pos.	Description	Part-Number	Qty.	Pos.	Description	Part-Number	Qty.
1	Lever compl. with Logo ISI	A 860 896 AA	1 Set	18	O - ring Ø 19 x 2,5		
2	Thread pin M5x10 DIN915	A 963 309 NU	1 pcs	19	Plastic ring		
3	Handle cap	B 960 473 AA	1 pcs	20	O - ring Ø 47,3 x 1,78	A 963 526 NU	2 pcs
4	Cover cap	A 960 893 AA	1 pcs	21	Plastic insert		
5	ECO-kit			22	Low noise insert complete	A 963 524 NU	1 Set
6	Cylindrical screw M4x69	A 963 783 NU	3 pcs	23	Body (built-in)		
7	Cartridge with pos. 5	A 960 500 NU	1 pcs	24	Superior block M10x1		
8	Escutcheon	F 960 880 AA	1 pcs	25	Flushing device complete	F 960 881 NU	1 Set
9	Aerator M24x1 - 5ltr/min	F 960 876 AA	1 pcs	26	Plug with o-ring	A 963 548 NU	1 pcs
10	Spout 180mm or 230mm projection			27	O - ring Ø 54 x 2,5		
11	Thread pin M6x8 DIN914	A 860 691 NU	1 pcs	28	Plaster guard for cartridge		
12	O - ring Ø 28 x 3	A 960 071 NU	2 pcs	29	Cover for pos. 28		
13	Connector spout			30	O - ring Ø 26 x 2,5	A 860 845 NU	1 pcs
14	Groove pin 3x10 DIN1474			31	Plaster guard for spout		
15	O - ring Ø 41 x 1,78	A 961 863 NU	1 pcs	32	Cover for pos. 31		
16	O - ring Ø 10 x 2	A 963 495 NU	2 pcs	33	Extension kit 20mm longer	F 960 866 NU	1 Set
17	Connector nipple						