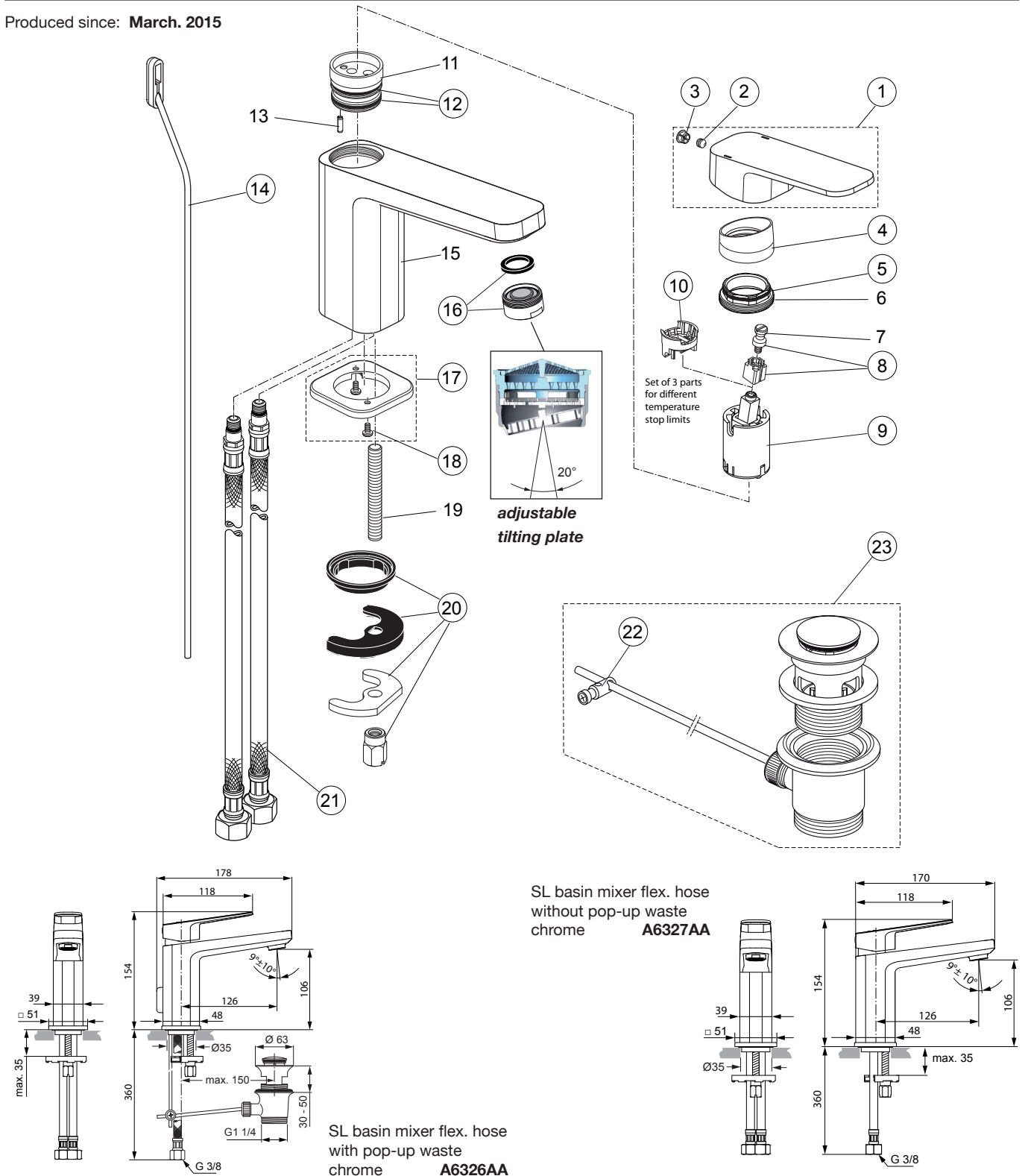


Tonic II A6326.. A6327..



Produced since: **March. 2015**



Pos.	Description	Part-Number	Qty.	Pos.	Description	Part-Number	Qty.
1	Lever compl. with Logo ISI	A 860 890 AA	1 Set	13	Clamping pin		
2	Thread pin M5x6 DIN914	A 860 603 NU	1 pcs	14	Lift rod complete	A 960 654 NU	1 Set
3	Handle cap	A 960 396 AA	1 pcs	15	Body		
4	Cover cap	A 860 891 AA	1 pcs	16	Aerator M24x1 - 5ltr/min	F 960 876 AA	1 pcs
5	O - Ring Ø 25 x 1,5	A 962 496 NU	1 pcs	17	Escutcheon + screws	A 860 893 AA	1 Set
6	Thread ring M33x1			18	Srew M3 x 6 Din 85	A 960 342 NU*	1 Set
7	Handle srew M4			19	Bolt M8x63		
8	Lever adapter + srew	A 860 892 NU	1 Set	20	Fixation kit	A 964 520 NU*	1 Set
9	Cartridge Kerox Ø28 + Pos7	F 960 855 NU	1 Set	21	Flex. hose M8x1-G3/8-420	A 962 370 NU	1 pcs
10	Hot water limiter - 3 parts	B 961 088 NU	1 Set	22	Bracket	A 961 172 NU	1 pcs
11	Manifold			23	Pop-up waste complete	A 961 230 AA	1 pcs
12	O - Ring Ø 26,7 x 1,78	A 962 825 NU	1 pcs				

*Universal set (not all parts needed)