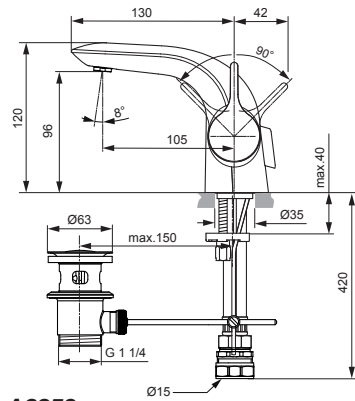
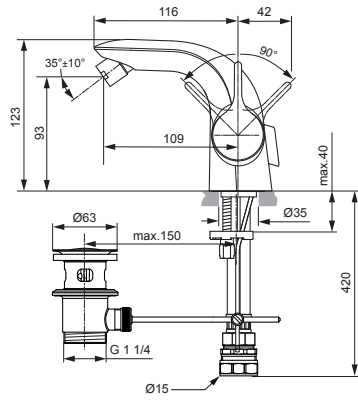
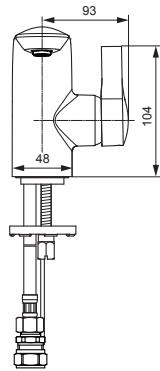


Produced from: Feb. 2014

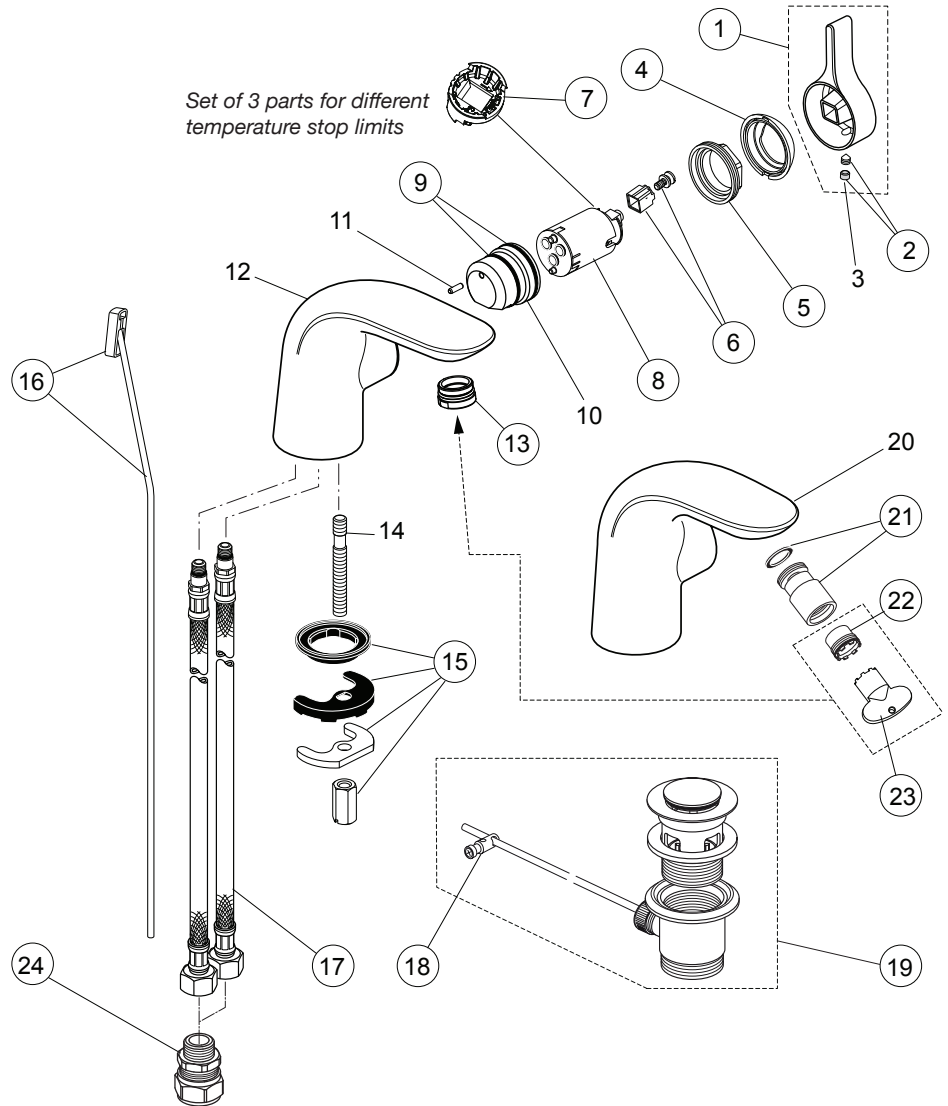


A6259..



A6261..

Set of 3 parts for different temperature stop limits



Single lever basin mixer with flex. hose G3/8 and pop-up waste chrome

A6259AA

Single lever basin mixer with flex. hose G3/8 without pop-up waste chrome

A6260AA

Single lever bidet mixer with flex. hose G3/8 and pop-up waste chrome

A6261AA

Pos.	Description	Part-Number	Qty.	Pos.	Description	Part-Number	Qty.
1	Lever cpl. with Logo IS	F 960 974 AA	1 pcs	14	Stud M8 x 63		
2	Thread pin M5x5 DIN916	A 962 041 NU	1 pcs	15	Fixation-set	A 964 520 NU	1 pcs
3	Rubber button	A 963 751 NU	1 pcs	16	Pull Knob with rod	F 960 976 AA	1 pcs
4	Cartr. Cover (Cap)	F 960 975 AA	1 pcs	17	Flex. hose M8x1 / G3/8	A 962 370 NU	1 pcs
5	Clamping nut M36 x 1	B 961 087 NU	1 pcs	18	Bracket	A 963 404 NU	1 pcs
6	Handle insert + screw	B 961 086 NU	1 pcs	19	Pop-up waste complete	B 960 853 AA	1 pcs
7	Hot water limiter - 3 parts	B 961 088 NU	1 Set	20	Body (Bidet)		
8	Cartridge compl. K-28A	F 960 855 NU	1 pcs	21	Ball joint M18x1 cpl.	A 962 385 AA	1 pcs
9	O - Ring Ø 28,3 x 1,78	A 961 667 NU	2 pcs	22	Aerator complete M18x1	A 960 197 NU	1 pcs
10	Plastic insert for Body (manifold)			23	Aerator key - Universal set for Pos. 13 and 22	A 960 196 NU	1 pcs
11	Clamping pin			24	Connector G3/8 D15	B 960 845 NU	1 pcs
12	Body (Lavy)						
13	Stream regulator M21,5x1	A 962 075 AA	1 pcs				