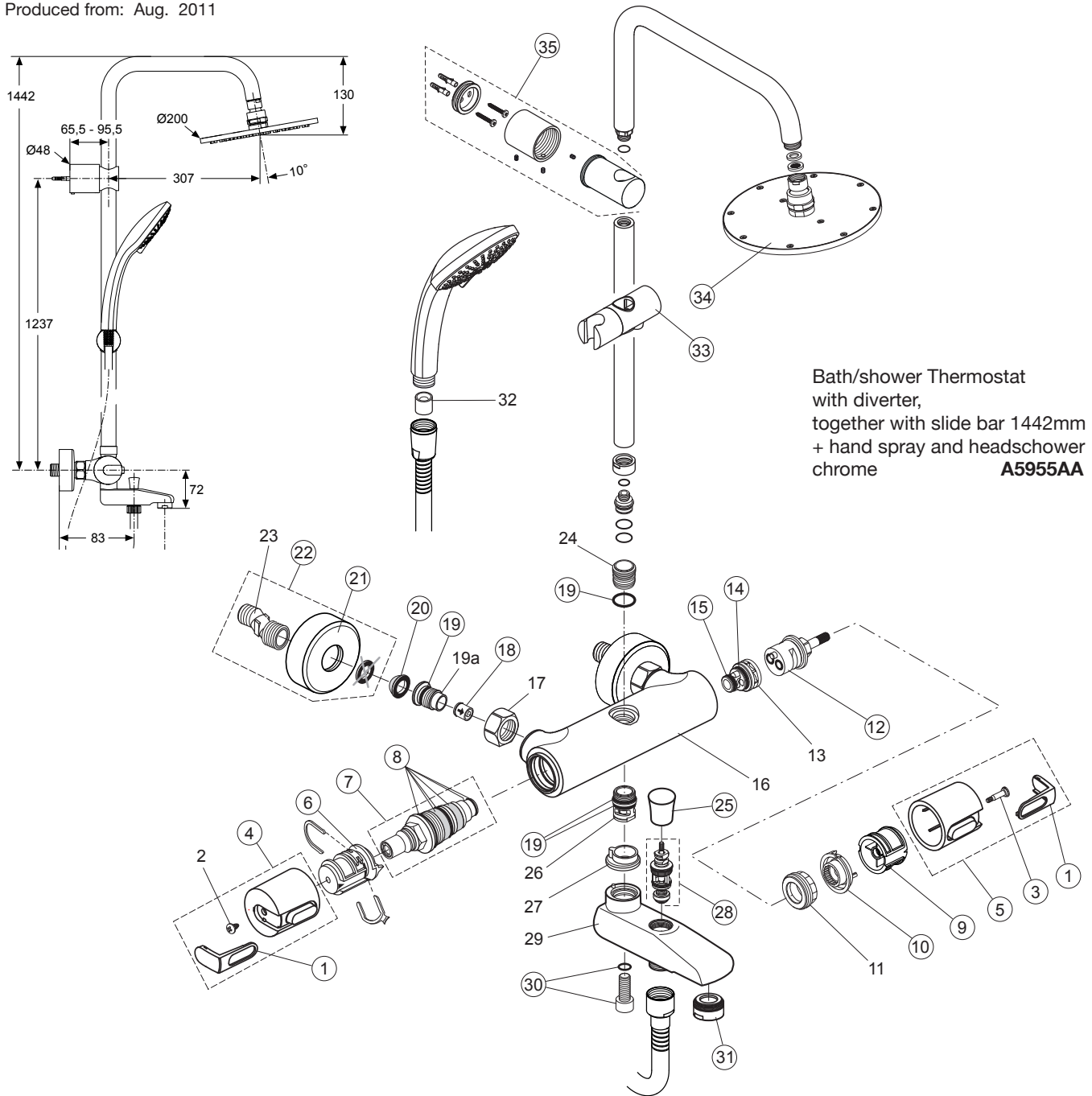


Produced from: Aug. 2011



Bath/shower Thermostat
with diverter,
together with slide bar 1442mm
+ hand spray and headshower
chrome **A5955AA**

Pos.	Description	Part-Number	Qty.	Pos.	Description	Part-Number	Qty.
1	Cap for handle with and with out Logo	A 962 872 AA*	1 Set	19	O - ring Ø 17 x 2	A 961 810 NU	2 pcs
2	Screw Egot PT KB50x10			19a	Seat M20x1 left thread		
3	Screw M4 L=23,5	A 962 998 NU	2 pcs	20	Strainer (screen)	A 962 595 NU	2 pcs
4	Handle for Temperature	A 962 870 AA	1 pcs	21	Escutcheon	B 960 242 AA	1 pcs
5	Handle for Volume control	A 962 871 AA	1 pcs	22	S-Connector complete	A 961 073 AA	2 pcs
6	Temp. adjustment compl.	A 963 427 NU*	1 Set	23	S-Connector with low noise insert		
7	Thermostatic Cartridge	A 962 229 NU	1 pcs	24	Nipple G1/2 outside		
8	Repair-Set Cartridge	A 962 230 NU	1 Set	25	Pull knob diverter	A 960 400 AA	1 pcs
9	Handle insert (Set)	A 963 432 NU	1 Set	26	Nipple		
10	Volume control stop ring	A 962 563 NU	1 pcs	27	Adapter spout		
11	Thread ring M34 x 1,5			28	Diverter	A 860 780 AA	1 pcs
12	Stop valve with diverter	A 962 568 NU	1 pcs	29	Spout		
13	Manifold diverter			30	Cyl.-screw + o-ring	A 860 778 NU	1 pcs
14	O - ring Ø 18,77 x 1,78	A 962 529 NU	1 pcs	31	Aerator cpl. M28x1 -D-	A 860 874 AA	1 pcs
15	O - ring Ø 12,42 x 1,78	A 961 332 NU	2 pcs	32	Flow limiter 8l/min - in hand spray contained		
16	Body			33	Slider & holder for handshr.	A 860 807 AA	1 pcs
17	Coupling nut G3/4			34	Headshower cpl. Ø200	B 9442 AA	1 pcs
18	Non-return valve DW15	A 962 594 NU	2 pcs	35	Wall fixation complete	F 960 891 AA	1 pcs