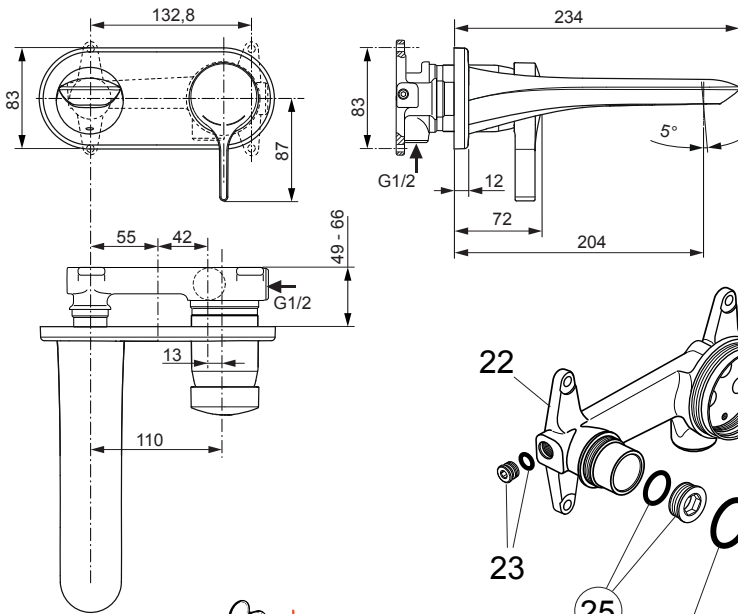


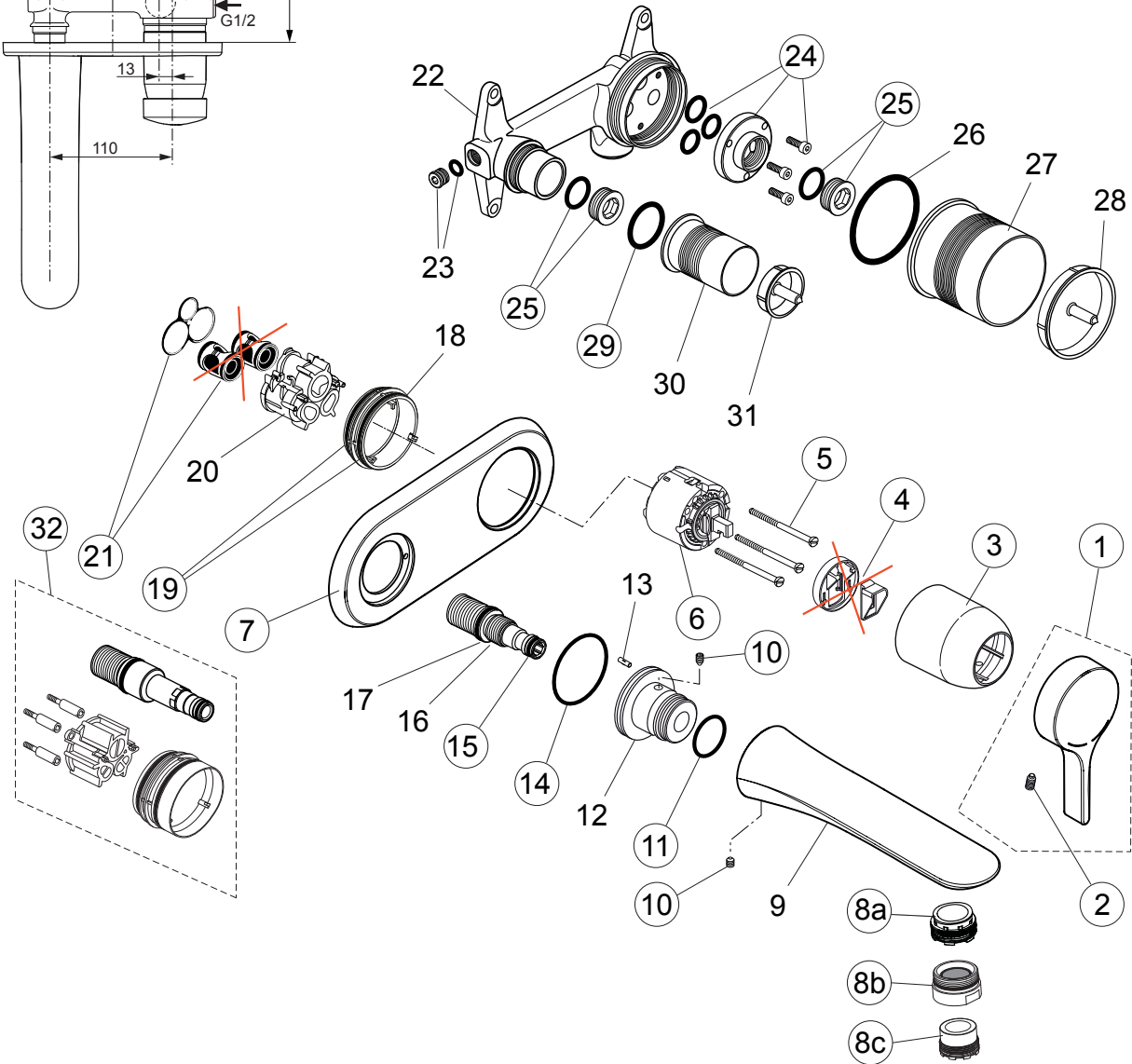
# Melange A5591.. A5831..



Produced from: **Sept. 2013**



Pre-installation kit 1 **A5948NU**  
 Design parts chrome Kit2 **A5591AA**  
 Design parts chrome Kit1 + Kit2 **A5831AA**



| Pos. | Description                  | Part-Number         | Qty.  | Pos. | Description                 | Part-Number         | Qty.  |
|------|------------------------------|---------------------|-------|------|-----------------------------|---------------------|-------|
| 1    | Lever compl. with Logo ISI   | <b>A 962 065 AA</b> | 1 pcs | 16   | Connector nipple            |                     |       |
| 2    | Thread pin M5x10 DIN915      | <b>A 963 309 NU</b> | 1 pcs | 17   | O - ring Ø 19 x 2,5         |                     |       |
| 3    | Cover cap                    | <b>A 960 893 AA</b> | 1 pcs | 18   | Plastic ring                |                     |       |
| 4    | ECO-kit                      |                     |       | 19   | O - ring Ø 47,3 x 1,78      | <b>A 963 526 NU</b> | 2 pcs |
| 5    | Cylindrical screw M4x69      | <b>A 963 783 NU</b> | 3 pcs | 20   | Plastic insert              |                     |       |
| 6    | Cartridge with pos. 4        | <b>A 960 500 NU</b> | 1 pcs | 21   | Low noise insert complete   | <b>A 963 524 NU</b> | 1 Set |
| 7    | Escutcheon                   | <b>F 960 981 AA</b> | 1 pcs | 22   | Body ( built-in )           |                     |       |
| 8a   | Aerator-5l/min + Key (A5591) | <b>A 962 079 NU</b> | 1 pcs | 23   | Superior block M10x1        |                     |       |
| 8b   | Aerator-5l/min + Key (A5831) | <b>A 962 080 AA</b> | 1 pcs | 24   | Flushing device complete    | <b>F 960 881 NU</b> | 1 Set |
| 8c   | Aerator-full flow (A5831)    | <b>A 960 191 NU</b> | 1 pcs | 25   | Plug with o-ring            | <b>A 963 548 NU</b> | 1 pcs |
| 9    | Spout 200mm projection       |                     |       | 26   | O - ring Ø 54 x 2,5         |                     |       |
| 10   | Thread pin M6x8 DIN914       | <b>A 860 691 NU</b> | 1 pcs | 27   | Plaster guard for cartridge |                     |       |
| 11   | O - ring Ø 28 x 3            | <b>A 960 071 NU</b> | 2 pcs | 28   | Cover for pos. 27           |                     |       |
| 12   | Connector spout              |                     |       | 29   | O - ring Ø 26 x 2,5         | <b>A 860 845 NU</b> | 1 pcs |
| 13   | Groove pin 3x10 DIN1474      |                     |       | 30   | Plaster guard for spout     |                     |       |
| 14   | O - ring Ø 41 x 1,78         | <b>A 961 863 NU</b> | 1 pcs | 31   | Cover for pos. 30           |                     |       |
| 15   | O - ring Ø 10 x 2            | <b>A 963 495 NU</b> | 2 pcs | 32   | Extension kit 20mm longer   | <b>F 960 866 NU</b> | 1 Set |

**Melange**