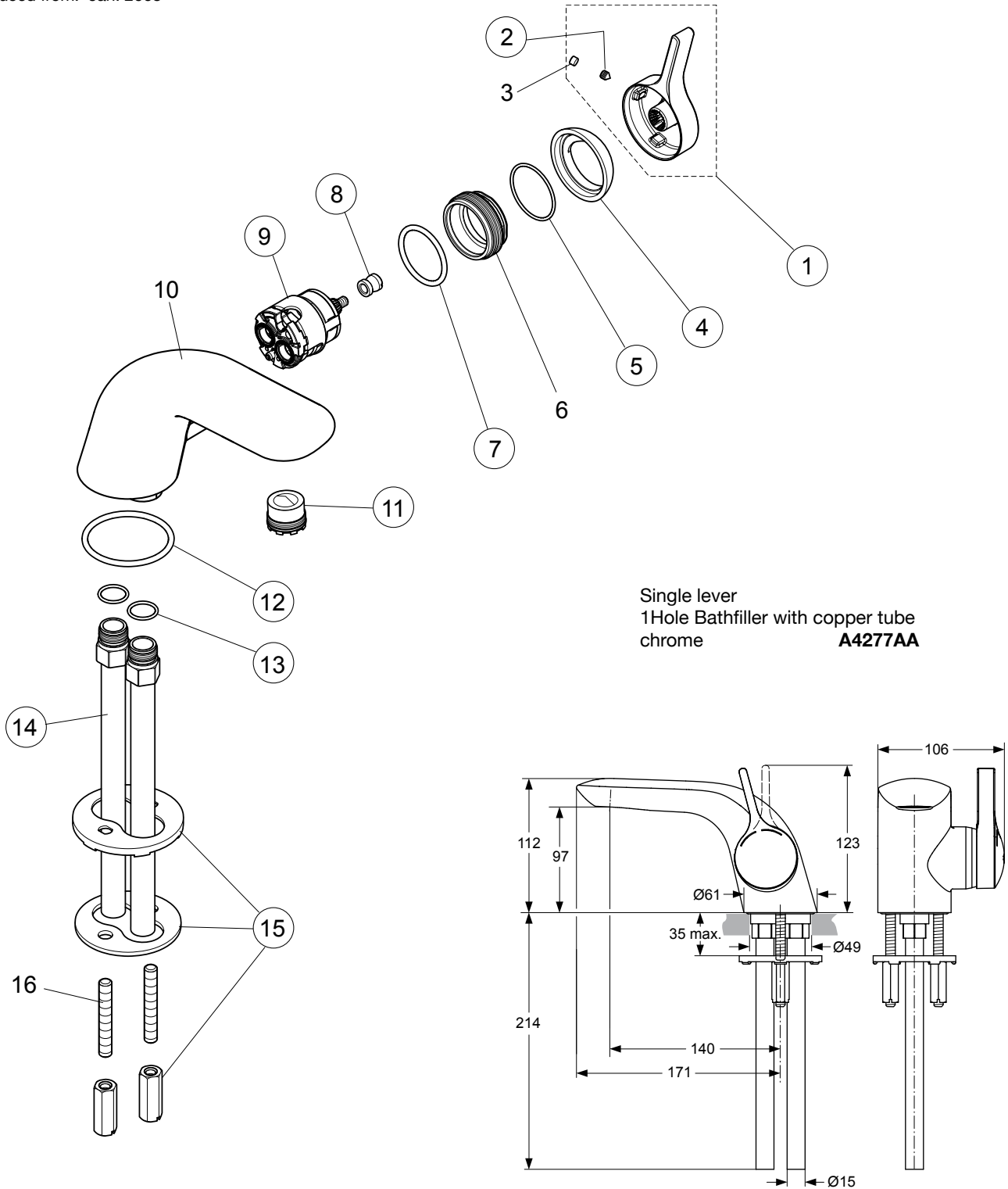


Produced from: Jan. 2008



Pos.	Description	Part-Number	Qty.	Pos.	Description	Part-Number	Qty.
1	Lever cpl. with Logo IS	A 962 068 AA	1 pcs	11	Aerator M24 x 1 + Key	A 960 412 NU	1 pcs
2	Thread pin M5x6 DIN914	A 963 667 NU	1 pcs		Aerator key for Pos. 11	A 960 196 NU	1 pcs
3	Cover shield			12	O - Ring Ø 50,39 x 3,53	A 963 157 NU	2 pcs
4	Cartr. Cover (Cap)	A 961 485 AA	1 pcs	13	O - Ring Ø 15,6 x 1,78	A 963 916 NU	1 pcs
5	O - Ring Ø 28,3 x 1,78	A 961 667 NU	2 pcs	14	Copper pipe cpl. Ø 15	A 960 133 NU	1 pcs
6	Clamping nut M43 x 1,5			15	Fixation-set + Pos.12	A 960 205 NU	1 pcs
7	O - Ring Ø 35 x 3,2	A 962 715 NU	1 pcs	16	Stud M8 x 56		
8	Nut for handle adaption	A 963 372 NU	1 pcs				
9	Cartridge Multiport	A 960 145 NU	1 pcs				
10	Body Bathfiller						