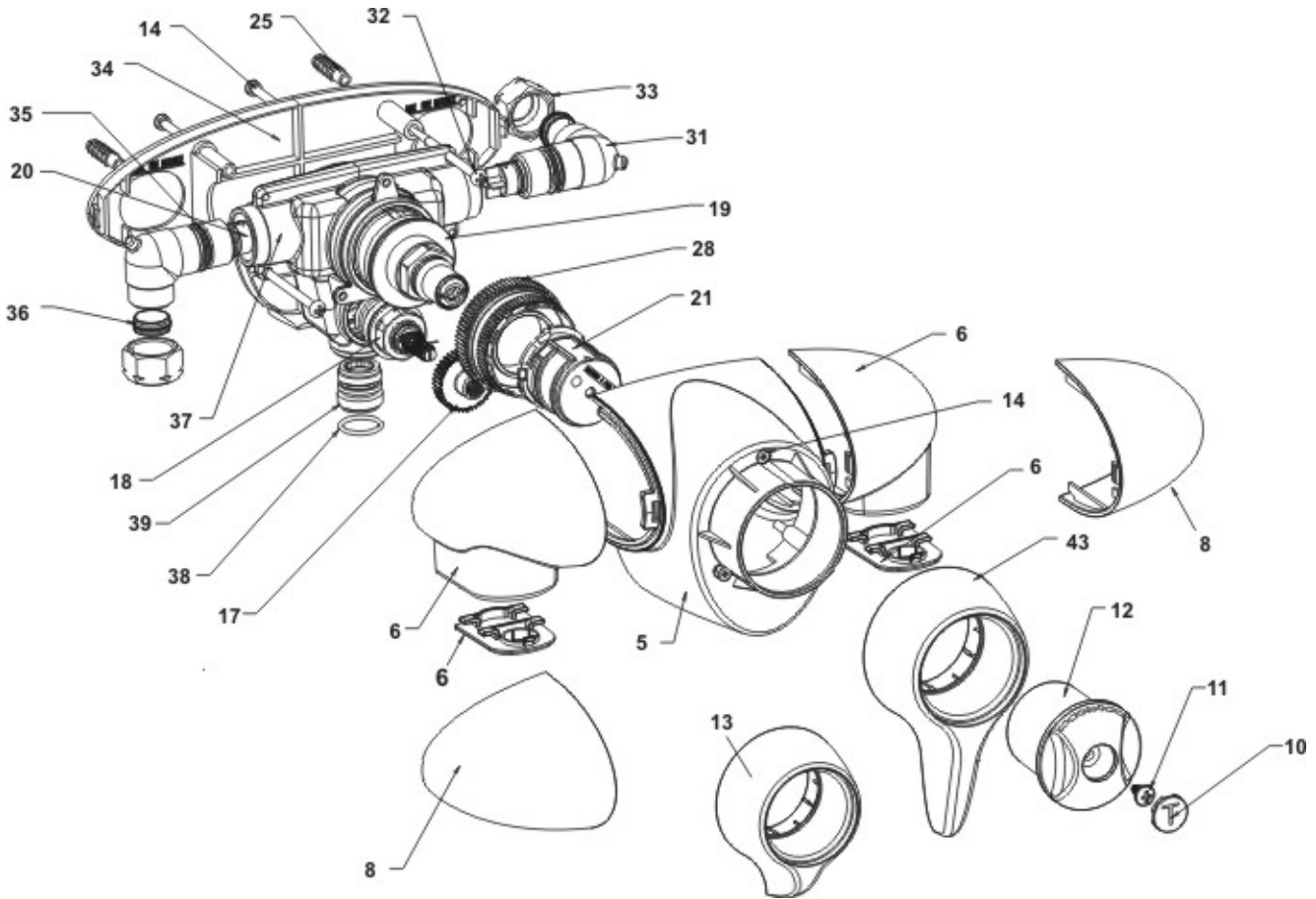


## A3101AA CHROME Concentric Thermostatic Valve Exposed



Ref.	Description	Part No.	Ref.	Description	Part No.
5	CTV EXPOSED COVER BODY	A923720AA	21	TEMPERATURE ADJUSTMENT CARRIER	A953957NU11
6	CTV ELBOW COVER PIPE SLIP	{ A952251AA	28	CTV VOLUME HANDLE GEARED CARRIER	A923711
6	CTV RH ELBOW COVER (VIEWED PIPE RISING)	{ A952251AA	32	REAR COVERPLATE FIXING SCREW	A918393
6	CTV LH ELBOW COVER (VIEWED PIPE RISING)	{ A952251AA	34	CTV EXPOSED BACK PLATE	A923727LJ
8	CTV BACK INLET ELBOW COVER	A952252AA	31	SLIDING CONNECTING ELBOW	A92190920
10	CTV HANDLE COVER CAP	A907294LJ	35	O-RING 18X2	A962869NU
11	SCREW TREVI TEMP CONTROL HANDLE	A918416	38	O RING	A912621
12	CTV TEMPERATURE HANDLE	A908635AA	39	CTV SIZE 1/2 OUTLET NIPPLE	E921671AA
13	CTV VOLUME CONTROL HANDLE	A908636AA	41	ISOLATING VALVE/STRAINER/FLOW LIMITER	E960086NU
14	SCREW M4 25MM	A918492	41a	ST/STEEL FILTERS/STRAINER TREVI SPARE	E960316NU
17	CTV FLOW CONTROL DRIVE GEAR	A923710	42	FLOW CONTROL WASHER	-
18	3/4IN I-S RUBBER VALVE CW SCREW	A954730	43	CTV LONG FLOW CONTROL LEVER	A908632AA
19	THERMOSTATIC CONTROL CARTRIDGE CHROME	S960134NU	52	FLOW REGULATOR 4L/MIN	E960114NU
20	CHECK VALVE	A954738	53	FLOW REGULATOR 8L/MIN	E960113NU