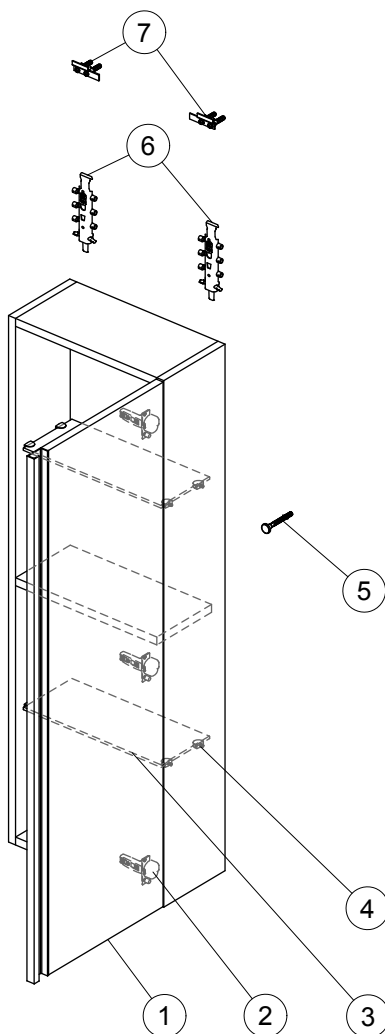


Spare parts

Half Column 1200



Item	Description	Colour/Finish		Code No.	Quantity
		Furniture Finish	Handle Finish		
1	Door Panel with handle 120	OV - Glossy White PH - Glossy Light Grey WI - Matt Avio VI - Light Wood PU - Dark Taupe	Matt White Matt Light Gray Matt Light Gray Matt Light Gray Matt Dark Taupe	TV376OV TV376PH TV376WI TV376VI TV376PU	1
2	Hinge KIT for door Soft close Blum (hinge and plate)			TV38567	1 + 1
3	Glass shelf P210			TV377RQ	1
4	Glass shelf holder KIT			RV11767	4
5	Safety KIT Fischer (screw, plug, washer, cap)			TV38667	4
6	Hanging brackets KIT 2			RV11967	pair
7	Wall fixation KIT 2			RV11867	10