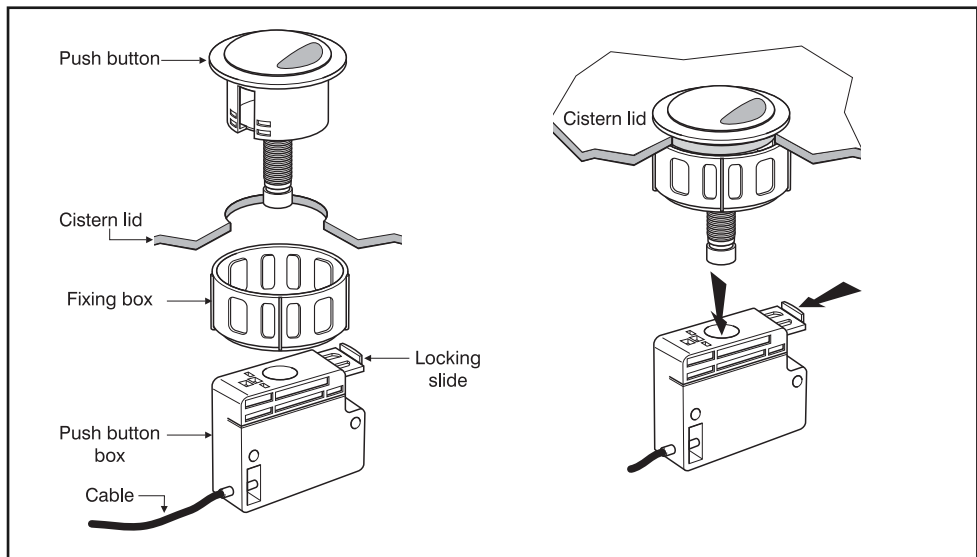
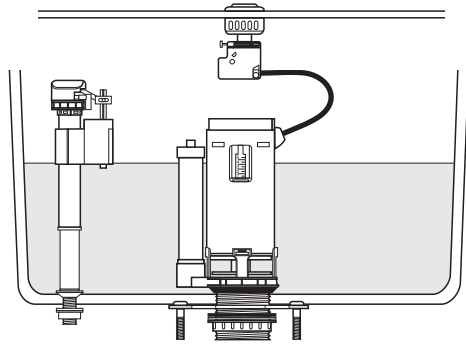


Push Button Installation

1. Fit the push button (L) into the cistern lid and secure with the fixing box (M).
2. Push locking slide in and engage push button in push button box, release locking slide to lock.
3. Ensure push button cable is not kinked or trapped and does not interfere with working components.
4. Fit cistern lid.



All cistern components must be installed in accordance with UK water regulations. If in doubt a suitably qualified professional should be consulted.

We pursue a policy of continuing improvement in design and performance of our products. The right is, therefore, reserved to vary specifications without notice.

Ideal Standard UK Ltd.,
The Bathroom Works, National Avenue, Hull, HU5 4HS

4875 03/10