



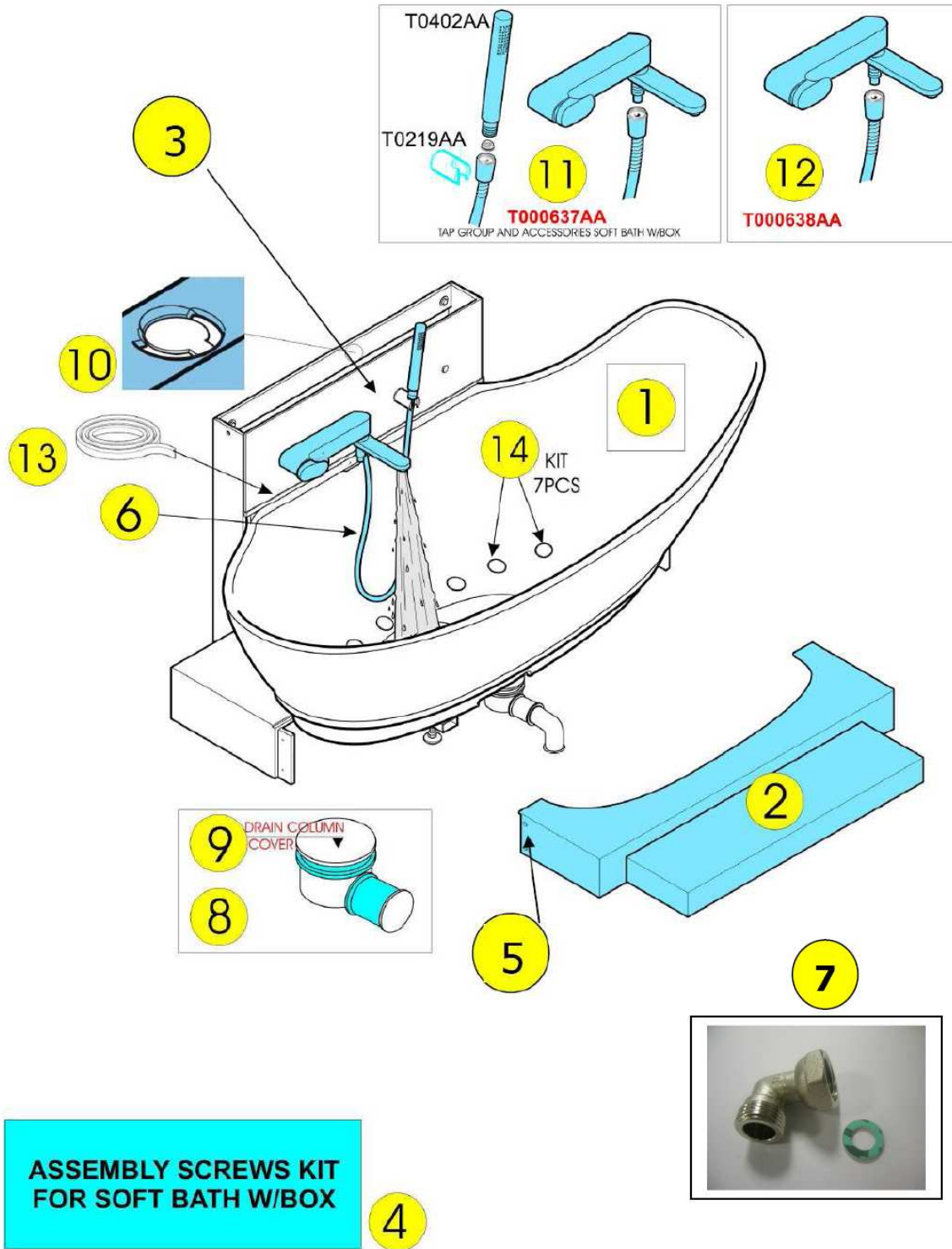
**SOFT  
SPARE PARTS CATALOGUE**

**After Sales  
Bathing & Wellness**

<b>Product Type</b>	Bath Tub	<b>Document N°:</b>	Version 3-2012
<b>Product Model</b>	Soft Bath Tub	<b>Data:</b>	12.04.2012
<b>Target</b>	After Sales use only	<b>Comments</b>	

**SOFT**

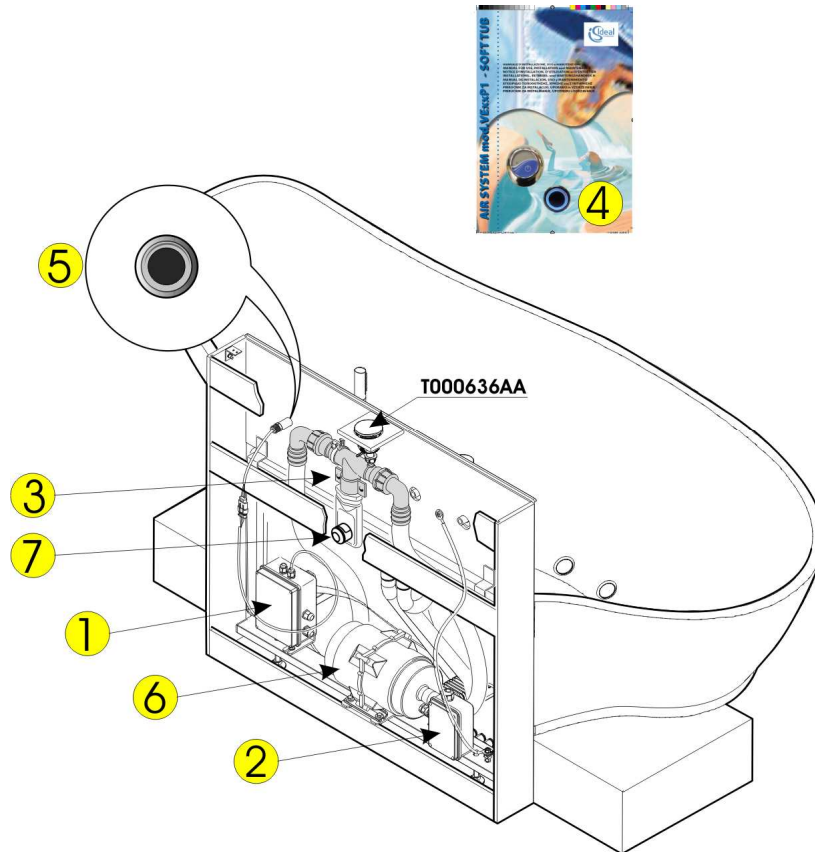
**TAV 1**



## TAV 1: SPARE PARTS LIST

DRAWING REF.	Codice Ricambio Spare Code	Descrizione	Description (Eng)	Note	TABLE
1	T00062701	GUSCIO CON SOFFIAT. VASCA SOFT C/IMB	BATH-SHELL WITH BLOWER JET W/BOX		1
2	T000628CT	PEDANA VASCA SOFT C/IMB	FOOTBOARD SOFT BATH W/BOX		1
3	T000629CT	PARETE ATTREZZATA VASCA SOFT C/IMB	EQUIPPED PANEL SOFT BATH W/BOX		1
4	T000630NU	KIT VITERIA MONTAGGIO VASCA SOFT C/IMB	ASSEMBLY SCREWS KIT FOR SOFT BATH W/BOX		1
5	T000631AA	TAPPO COPRIVITE CON GUARNIZIONE C/IMB	SCREW CAP WITH SEAL W/BOX		1
6	T000632AA	FLESS. INOX 1/2" F X 1/2"F 1000 MM C/IMB	FLEXIBLE INOX HOSE 1/2" F X 1/2"F 1000 MM W/BOX		1
7	T000633AA	GOMITO M 1/2" C/GHIERA 1/2" NICH. C/IMB	ELBOW PIPE 1/2" WITH NUT 1/2" W/BOX		1
8	T00063401	COLONNA SCARICO VASCA SOFT C/IMB	WASTE COLUMN SOFT BATH W/BOX		1
9	T00063501	COPERCHIO COL. SCARICO VASCA SOFT C/IMB	DRAIN COLUMN COVER FOR SOFT BATH W/BOX		1
10	T000636AA	MECC. COL. SCARICO VASCA SOFT C/IMB	MECHANISM OPEN/CLOSE WASTE PIPE SOFT BATH W/BOX		1
11	T000637AA	KIT RUBINETTERIA VASCA SOFT C/IMB	TAP GROUP AND ACCESSORIES SOFT BATH W/BOX		1
12	T000638AA	MOMENTS GRUPPO EST. V/D CROMO	TAP SOFT BATH W/BOX		1
13	T00063906	GUARNIZ. 15X6 IN SCHIUMA PVC GRIG. C/IMB	GREY PVC SEAL 15X6 W/BOX		1
14	T000640NU	KIT SOFFIAT. LINEA AIR V. SOFT (7PZ) C/IMB	KIT BLOWER JETS (7 PCS) SOFT BATH W/BOX		1
NO REF. ON DRAWING	T000641NU	TELAIO VASCA SOFT C/IMB	BATH FRAME SOFT BATH W/BOX	NO REF. ON DRAWING	1

## TAV 2 WITH SPARE PARTS LIST



DRAWING REF.	Codice Ricambio Spare Code	Descrizione	Description (Eng)	Note	TABLE
1	T000866NU	CENTR.ASTREL 0306.X AIR SYS NEW C/IMB	CONTROL UNIT ASTREL 0306.X AIR SYS NEW W/BOX		2
2	T000643NU	CENTR.ASTR. 04070 FIL.EMC ASYS NEW C/IMB	CONTROL UNIT 04070 FIL.EMC ASYS NEW W/BOX		2
3	T000644NU	LINEA AIR VASCA SOFT C/IMB	AIR GROUP CONNECTIONS SOFT BATH W/BOX		2
4	T000645NU	DOCUMENTAZ. TECNICA VASCA SOFT C/IMB	TECHNICAL DOCUMENTATION SOFT BATH W/BOX		2
5	T000569NU	PULSANTE VAPORE TONAX C/IMB	ON/OFF BUTTON W/BOX (THE SAME OF TONAX STEAM)		2
6	T673767	BLOWER SACITH MSN70010 700W 230V C/IMB	BLOWER SACITH MSN70010 700W 230V W/BOX		2
7	T001378NU	SENSORE SIC.ASTREL C/CONNET X SOFT C/IMB	SECURITY BLOWER SENSOR WITH CONNECTOR		2

**ALL THIS DOCUMENTS ARE AVAILABLE AS PDF FILE ON INTRANET AREA  
\\si\Shares\Common\Wellness\_Tech\_docs**