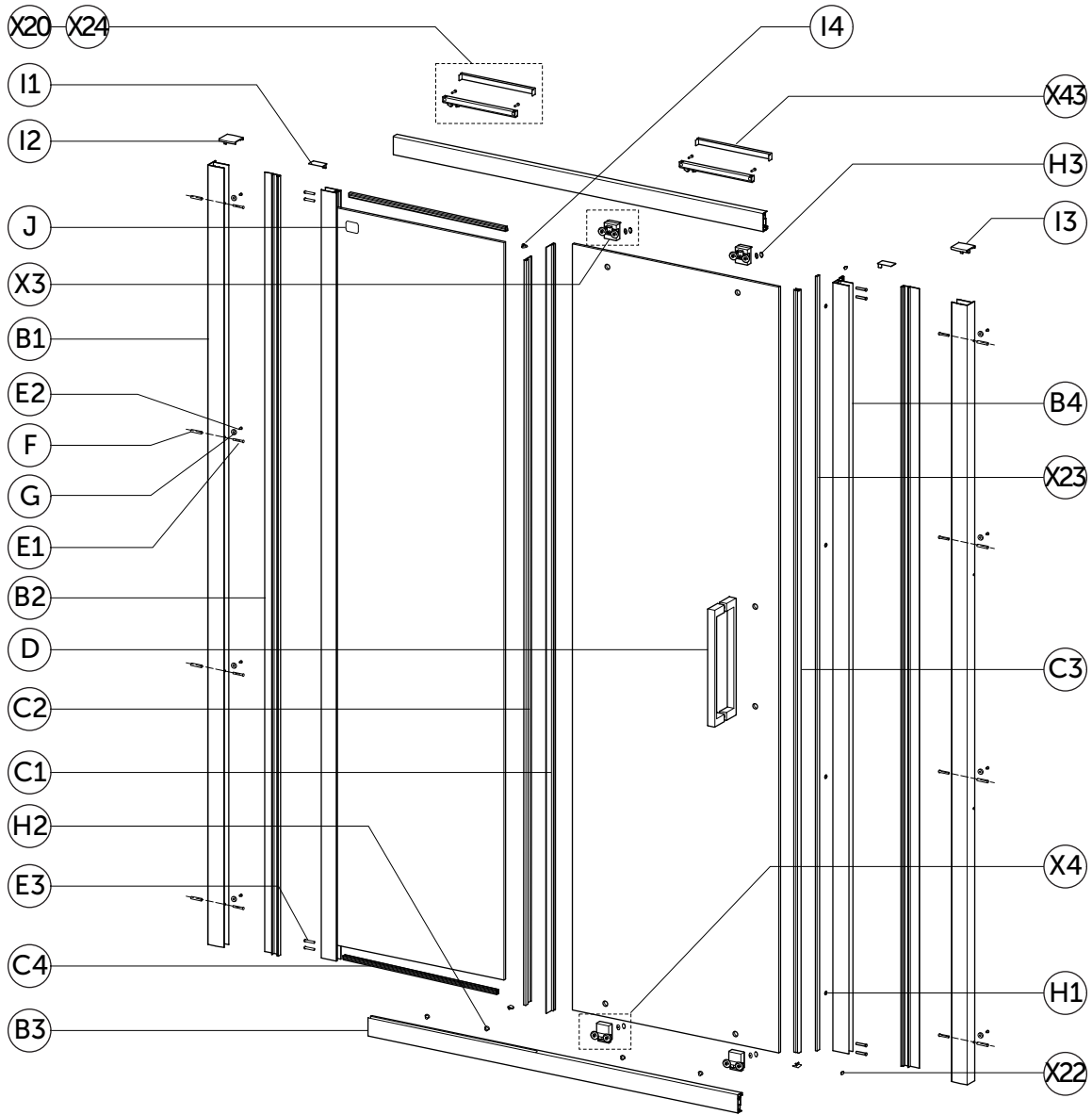


SPARE PARTS

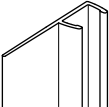
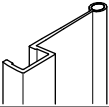
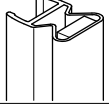
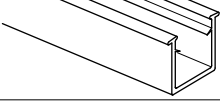


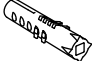


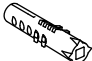



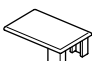
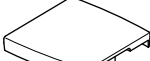
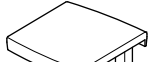

Slider Door UK


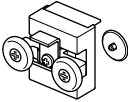
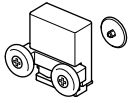
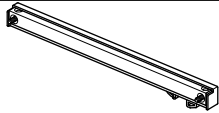
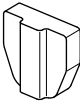
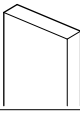
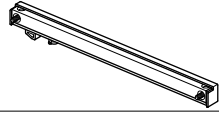
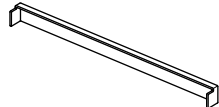
I.LIFE

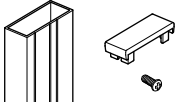
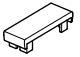
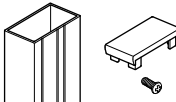
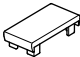
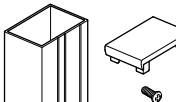
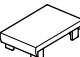
| T4967 | T4969 | T4971 | T4973 |
|-------|-------|-------|-------|
| 100 | 110 | 120 | 140 |



| Item | ERP Code | Drawing | Description | Remark | SKU |
|------|--------------|---------|--|---|---------|
| B1 | LY-JC310-01 | | Wall profile for Slider (UK - 25mm Adjustment) | length 2000mm, with 12 holes pre-drilled to suit Slider | TR153EO |
| B2 | LY-JC310-02 | | Wall cover profile (UK - 25mm Adjustment) | length 2000mm | TR014EO |
| B3 | 220647 | | Horizontal profile for 140 (pair) | holes pre-drilled | TR146EO |
| B4 | LY-DL155-02 | | Magnet Adjuster profile (UK - 25mm Adjustment) | length 2000mm | TR158EO |
| D | LY-MB810-116 | | Double Handle - 380mm centres | complete set | TR098AA |

| Item | ERP Code | Drawing | Description | Remark | SKU |
|------|-------------|---|---|--|---------|
| C1 | 308-606 |  | Vertical anti-water seal for 8mm door panel | length 1965mm | TR07467 |
| C2 | 308-607 |  | Vertical anti-water seal for 8mm fixed panel | length 1904mm | |
| C3 | 308-358 |  | Door vertical magnet seal (1 DR Sliders) - UK | length 1965mm | TR14567 |
| C4 | 308-605 |  | U shape anti-water seal (for 8mm glass) | 1pc, length 850mm | TR07267 |
| E2 | LY-JC200-10 |  | Installation pack fixing wall jamb on wall | TCB 3.9X9 : x8pcs | TR03667 |
| E3 | |  | | TCB 3.9X30 : x8pcs | |
| F | |  | | wall plug: x8pcs | |
| G | |  | | cover profile clip moulding : x8pcs | |
| E1 | |  | Screws fixing vertical profile with rail profile | TCB 3.9X30 : x8pcs | TR14167 |
| F | |  | | wall plug: x8pcs | |
| H1 | 307-791 |  | Wall Screw Access Cover Cap | x4 pieces | TR119AA |
| H2 | 307-233 |  | Small Plug to fill unused holes | x4 pieces | TR068AH |
| H3 | LY-MB810-05 |  | Flush Cover Cap for Wheel Assemblies | | TR108AA |
| I1 | LY-JC310-50 |  | cover for vertical profile (UK - 25mm Adjustment) | | TR114AA |
| I2 | LY-JC310-53 |  | Top cover for wall profile LH (UK - 25mm Adjustment) | 1pc | TR115AA |
| I3 | LY-JC310-52 |  | Top cover for wall profile RH (UK - 25mm Adjustment) | 1pc | TR116AA |
| I4 | LY-MB810-80 |  | Slot cover (pair) | | TR109AA |

| Item | ERP Code | Drawing | Description | Remark | SKU |
|------|---------------|--|--|--|---------|
| J | |  | S.S. sticker with positioning template | | KV29567 |
| X3 | LY-MB810-06 |  | Roller / Top - SOFT CLOSE | complete set (screw, covers, etc..) | TR137AA |
| X4 | LY-MB810-13 |  | Roller /Bottom | complete set (screw, covers, etc..) | TR126AA |
| X20 | LY-MB810-117A |  | Soft Close Assembly 10N (100-130 Slider) | including cover and screws | TR142AA |
| X22 | LY-MB810-94 |  | 1Dr Slider In-Frame Vertical Magnet Seal Retainer (Pair) | | TR067AH |
| X23 | 308-298 |  | 1Dr Slider In-Frame Vertical Magnet | length 1980mm | TR03367 |
| X24 | LY-MB810-117 |  | Soft Close Assembly 15N (140 Slider) | including cover and screws | TR104AA |
| X43 | LY-MB810-93 |  | Soft Close Cover | | TR139AA |

| | | | | | |
|-----|-------------------------|---|--|-------------------|---------|
| X8 | 2258003; LY-JC310-51 |  | 15mm Extension profile, cover cap and x8 ST4x10 screws | holes pre-drilled | T4893EO |
| X11 | LY-JC310-51 |  | 15mm Extension profile cover cap | | TR111AA |
| X9 | 220651; LY-MB810-82 |  | 20mm Extension profile, cover cap and x8 ST4x10 screws | holes pre-drilled | T4894EO |
| X12 | LY-MB810-82 |  | 20mm Extension profile cover cap | | TR112AA |
| X10 | 220650; LY-MB810-81 |  | 25mm Extension profile, cover cap and x8 ST4x10 screws | holes pre-drilled | T4895EO |
| X13 | LY-MB810-81 |  | 25mm Extension profile cover cap | | TR113AA |

Ideal Standard International NV
Corporate Village – Gent Building
Da Vincilaan 2
B1935 – Zaventem
Belgium

BE +32 (0)2 325 66 33
BG +359 675 30362
DE +49 (0)228 521 580
EG +202 26969700
FR +33 (0)1 49 38 28 00
GB 01482 496 318

GR +30 210 67 90 810
HR +38591 22 99 304
HU +36 30 6991 594
IT 800 652 290
ME +971 4 804 2400
NL +31 (0)77 355 08 08

PL +48 71 7868 301/302
RO +40 21 3223 201/202
SI 00386 59 919040
TR +90 216 314 87 87
UA +359 675 30468
AL/XK/BA +359 887 709 696

CZ/SK +420 417 592 179
DK/NO/SE +45 75 84 10 10
ES/PT +34 93 561 80 00
LV/LT/EE +371 673 57 792
RS/MK/ME +381 11 713 80 58
RU/MD +7 495 669 23 11