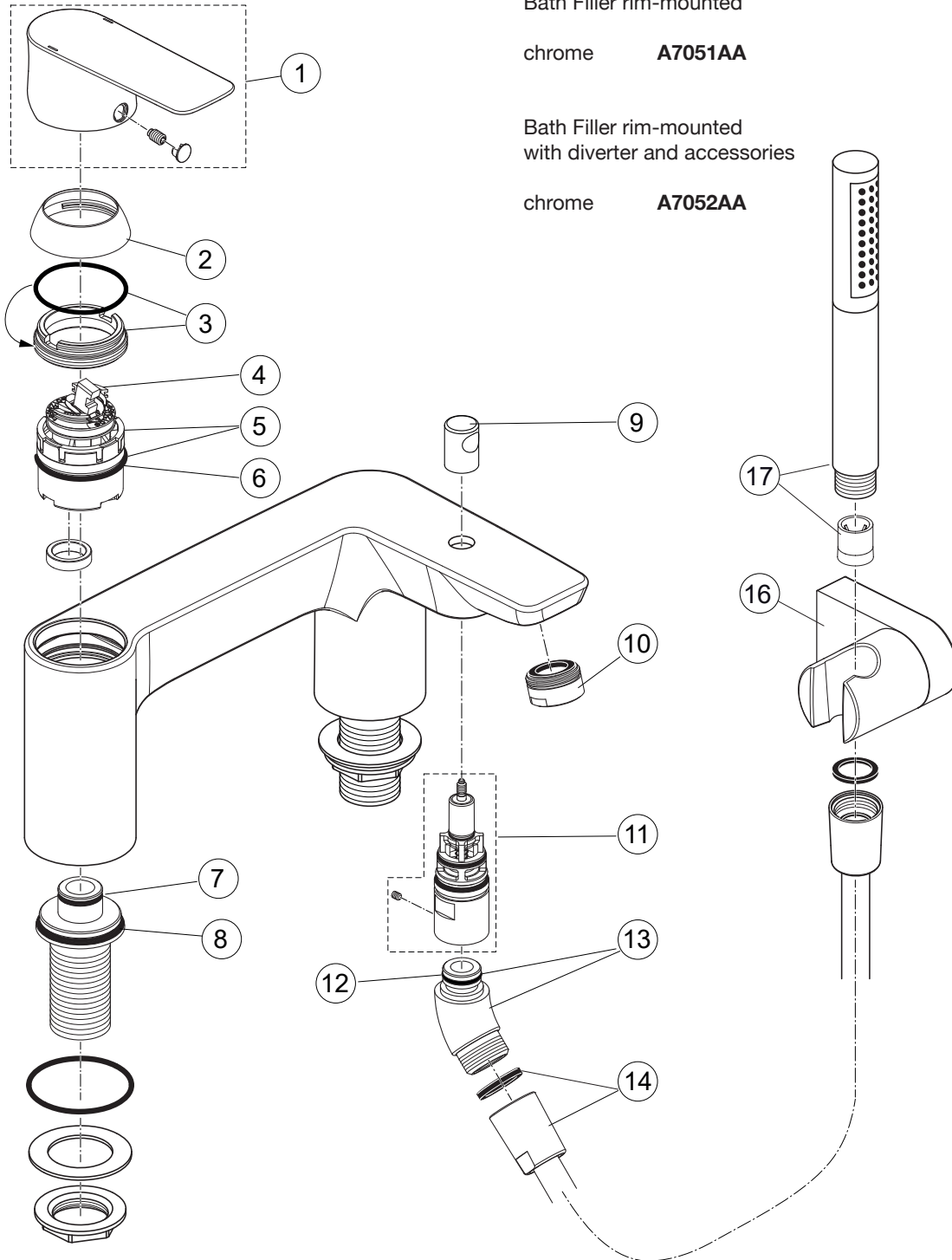


Produced since: **April 2021**



Bath Filler rim-mounted

chrome **A7051AA**

Bath Filler rim-mounted
with diverter and accessories

chrome **A7052AA**

Replace XX with the appropriate finish code

Chrome = AA Silver Storm = GN Gold = A2 Magnetic Grey = A5

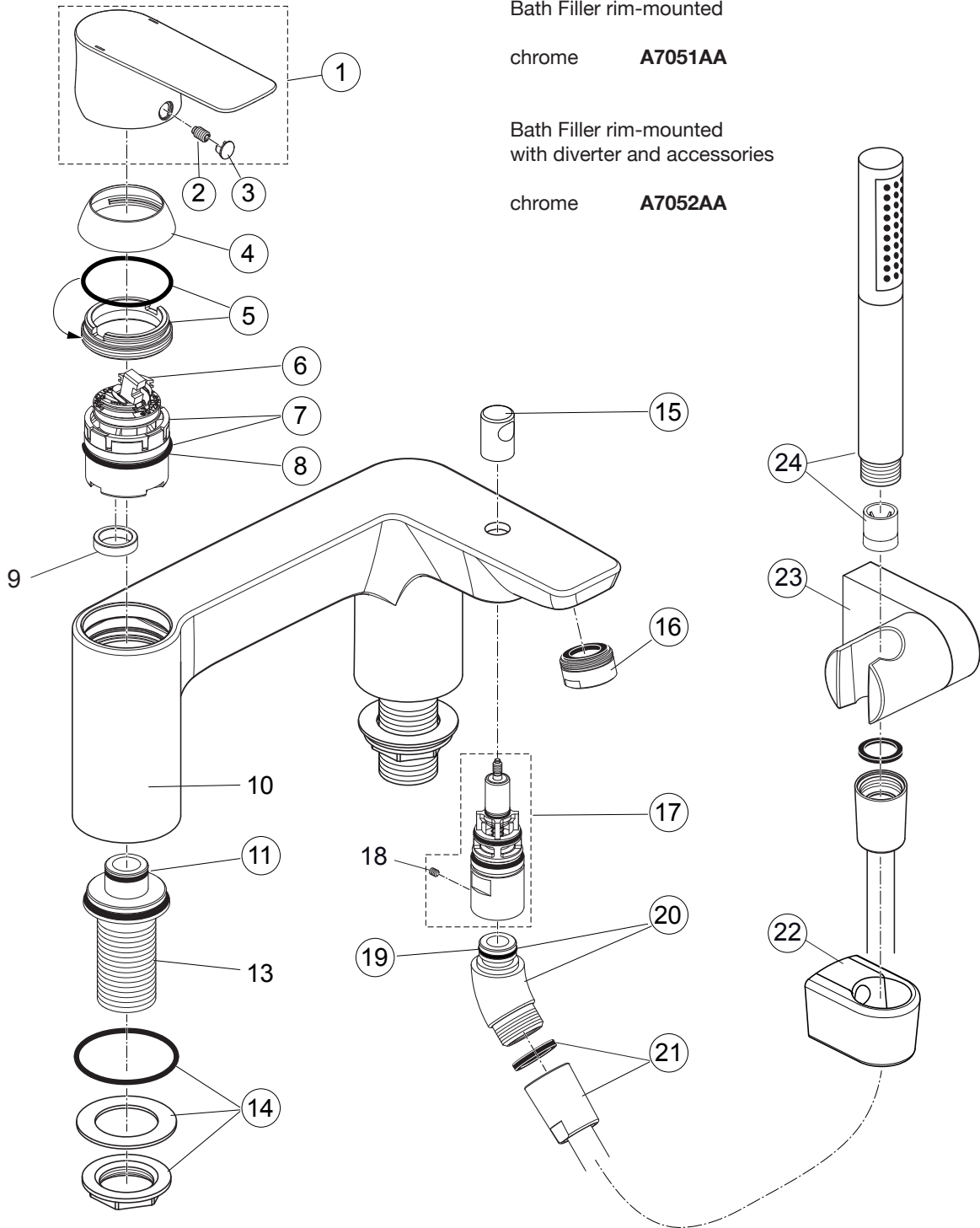
Example spare part order:

A 861 405 AA in Chrome

Pos.	Description	Part-Number	Qty.	Pos.	Description	Part-Number	Qty.
1	Lever cpl.	A 861 405 XX	1 Set	11	Diverter complete	A 861 286 XX	1 pcs
2	Cover cap	B 961 373 XX	1 pcs	12	O - Ring Ø14 x 1,78	A 962 605 NU	2 pcs
3	Thread ring O - Ring + Key	B 961 374 NU	1 pcs	13	Elbow for shower hose	B 960 496 XX	
4	Hot limit stop	A 861 181 NU	1 pcs	14	Shower hose 1600mm	A 3330 XX	1 pcs
5	Cartridge Ø38 + Pos.8,+ Key	A 861 156 NU*	1 Set	16	Handshower holder	B 960 925 XX	1 pcs
6	O - Ring Ø 38 x 2,5	E 960 059 NU*	1 Set	17	Handspray 1F-8l/min	A 861 411 XX*	1 Set
7	O - Ring Ø 16 x 2	A 861 285 NU	1 pcs				
8	O - Ring Ø 31,47 x 1,78	A 963 154 NU	1 pcs				
9	Pull knob	B 960 486 XX	1 pcs				
10	Aerator M24x1	A 960 537 XX	1 pcs				

*Universal set (not all parts needed)

Produced since: April 2020 - April 2021



Bath Filler rim-mounted

chrome **A7051AA**

Bath Filler rim-mounted
with diverter and accessories

chrome **A7052AA**

Replace XX with the appropriate finish code

Chrome = AA Silver Storm = GN Gold = A2 Magnetic Grey = A5

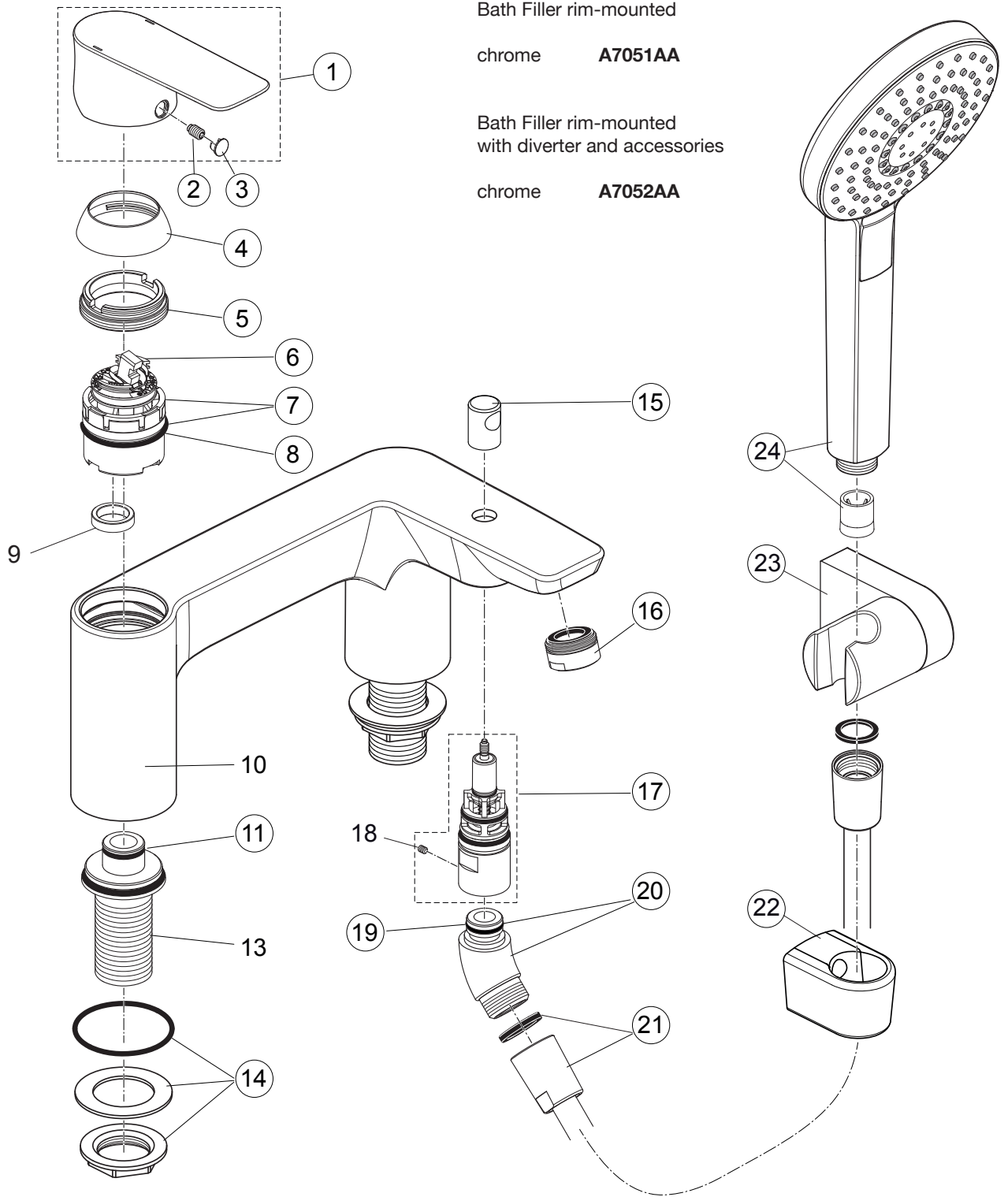
Example spare part order:

A 861 405 AA in Chrome

Pos.	Description	Part-Number	Qty.	Pos.	Description	Part-Number	Qty.
1	Lever cpl.	A 861 405 XX	1 Set	14	Fixation-Set	A 860 458 NU	1 Set
2	Thread pin M5x5 DIN916	A 963 309 NU	1 Set	15	Pull knob	B 960 486 XX	1 pcs
3	Handle plug	A 861 406 NU*	1 Set	16	Aerator M24x1	A 960 537 XX	1 pcs
4	Cover cap	B 961 373 XX	1 pcs	17	Diverter complete	A 861 286 XX	1 pcs
5	Thread ring O - Ring + Key	B 961 374 NU	1 pcs	18	Thread pin M3x4 DIN 913		
6	Hot limit stop	A 861 181 NU	1 pcs	19	O - Ring Ø14 x 1,78	A 962 605 NU	2 pcs
7	Cartridge Ø38 + Pos.8,+ Key	A 861 156 NU*	1 Set	20	Elbow for shower hose	B 960 496 XX	
8	O - Ring Ø 38 x 2,5	E 960 059 NU*	1 Set	21	Shower hose 1600mm	A 3330 XX	1 pcs
9	Support ring			22	Shower hose bracket	B 1364 XX	1 pcs
10	Body (Bath filler)			23	Handshower holder	B 960 925 XX	1 pcs
11	O - Ring Ø 16 x 2	A 861 285 NU	1 pcs	24	Handspray 1F-8l/min	A 861 411 XX*	1 Set
12	O - Ring Ø 31,47 x 1,78	A 963 154 NU	1 pcs				
13	Shaft G3/4						

*Universal set (not all parts needed)

Produced since: **March 2018 - Mar.2019**



Bath Filler rim-mounted

chrome **A7051AA**

Bath Filler rim-mounted

with diverter and accessories

chrome **A7052AA**

Pos.	Description	Part-Number	Qty.	Pos.	Description	Part-Number	Qty.
1	Lever cpl. w. Logo ISI	A 861 230 AA	1 Set	14	Fixation-Set	A 860 458 NU	1 Set
2	Thread pin M5x5 DIN916	A 963 309 NU	1 Set	15	Pull knob	B 960 486 AA	1 pcs
3	Handle plug	B 960 473 AA	1 pcs	16	Aerator M24x1	A 961 625 AA	1 pcs
4	Cover cap	B 961 373 AA	1 pcs	17	Diverter complete	A 861 286 AA	1 pcs
5	Thread ring M36x1 + Key	B 961 374 NU	1 pcs	18	Thread pin M3x4 DIN 913		
6	Hot limit stop	A 861 181 NU	1 pcs	19	O - Ring Ø14 x 1,78	A 962 605 NU	2 pcs
7	Cartridge Ø38 + Pos.8,+ Key	A 861 156 NU*	1 Set	20	Elbow for shower hose	B 960 496 AA	
8	O - Ring Ø 38 x 2,5	E 960 059 NU*	1 Set	21	Shower hose 1600mm	A 3330 AA	1 pcs
9	Support ring			22	Shower hose bracket	B 1364 AA	1 pcs
10	Body (Bath filler)			23	Handshower holder	B 960 925 AA	1 pcs
11	O - Ring Ø 16 x 2	A 861 285 NU	1 pcs	24	Handspray Ø110-3F-8l/min	B 2231 AA	1 pcs
12	O - Ring Ø 31,47 x 1,78	A 963 154 NU	1 pcs				
13	Shaft G3/4						

*Universal set (not all parts needed)