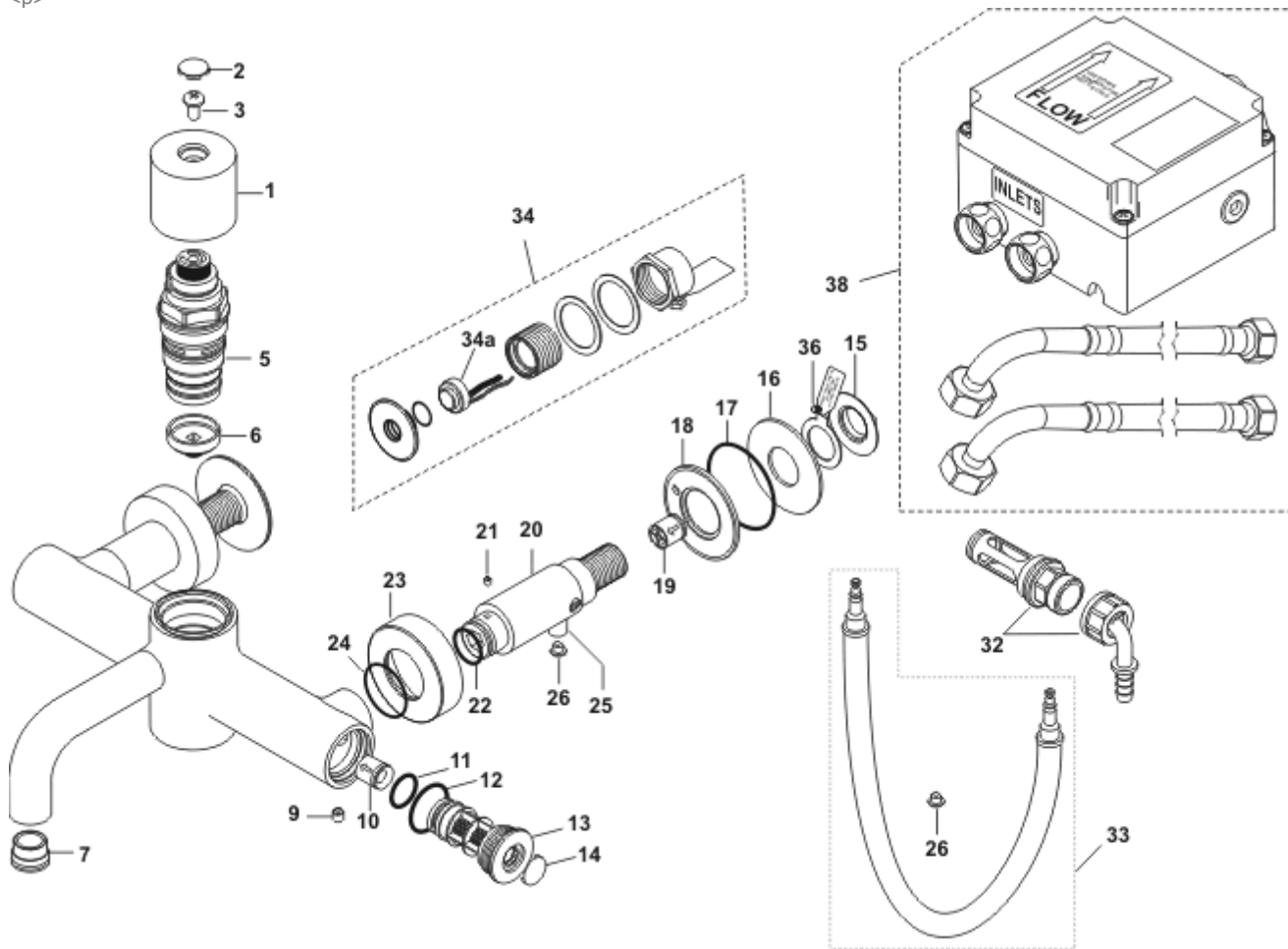


**ARMITAGE SHANKS MARKWIK NEW S8244AA SEQUENTIAL THERMOSTATIC MIXER PROXIMITY MOMENTARY ACTION
PANEL MOUNTED**

<p>



Ref.	Description	Part No.
1	Lock shield	E908488AA
2	Cover cap	E907042NU11
3	Handle screw	E918351NU
3a	Handle index kit (includes 2 & 3)	E960615AA
5	Sequential, thermostatic cartridge	E960575NU
6	Cartridge seat insert	E960664NU
7	Antisplash	A924305
9	Grub screw M6 x 6	E91830067
10	Combined check valve & flow regulator CV15FR	E910213NU
11	O-ring dia 17.6 x 2.4	E912659NU
12	O-ring dia 27.6 x 2.4	E912706NU
13	End cap, Maint carrier & filter	E950507NU
14	Index button	E960641AA
15	Backnut	E960112NU
16	Slip washer dia 60 x 25 x 2	E960631NU
17	O-ring 51.6 x 2.4	E960632NU
18	Wall plate	E960633NU
19	Check valve DW15	A952849
20R	Straight inlet tail with maintenance / disinfecting valve RH	E960646AA
20L	Straight inlet tail with maintenance / disinfecting valve LH	E960647AA
21	Grub screw M4 x 6	E91831067
22	O-ring dia 19.6 x 2.4	E912623NU
23	Screw-on wall escutcheon	E960638AA
24	O-ring dia 34.1 x 1.6	E912624NU
25	Sterilising nipple assembly (fit hand tight only)	E950534AA11
26	Dust cover	E909600NU
28p	Off-set inlet tails - pair (to convert S8243 style)	E960610AA
34	Momentary action proximity sensor	E950508AA
36a	Earthing connector - sensor	E922291NU
36b	Washer earthing tag	E2221567
38	Solenoid control box complete with connection hoses	A3811NU

32 Purging kit (available separately)
33 Disinfection kit (available separately) - Includes dust cap
34a Sensor Infra Red complete with wire
37 Remote programming unit (available separately)
39 Unisilikon GB2 grease (available separately)
50 Test kit for engineers use only

S8214AA
S8239NU
E960677NU
A961765NU
E960596NU
A960595NU

NB -- colour/finish options

Chrome = AA
