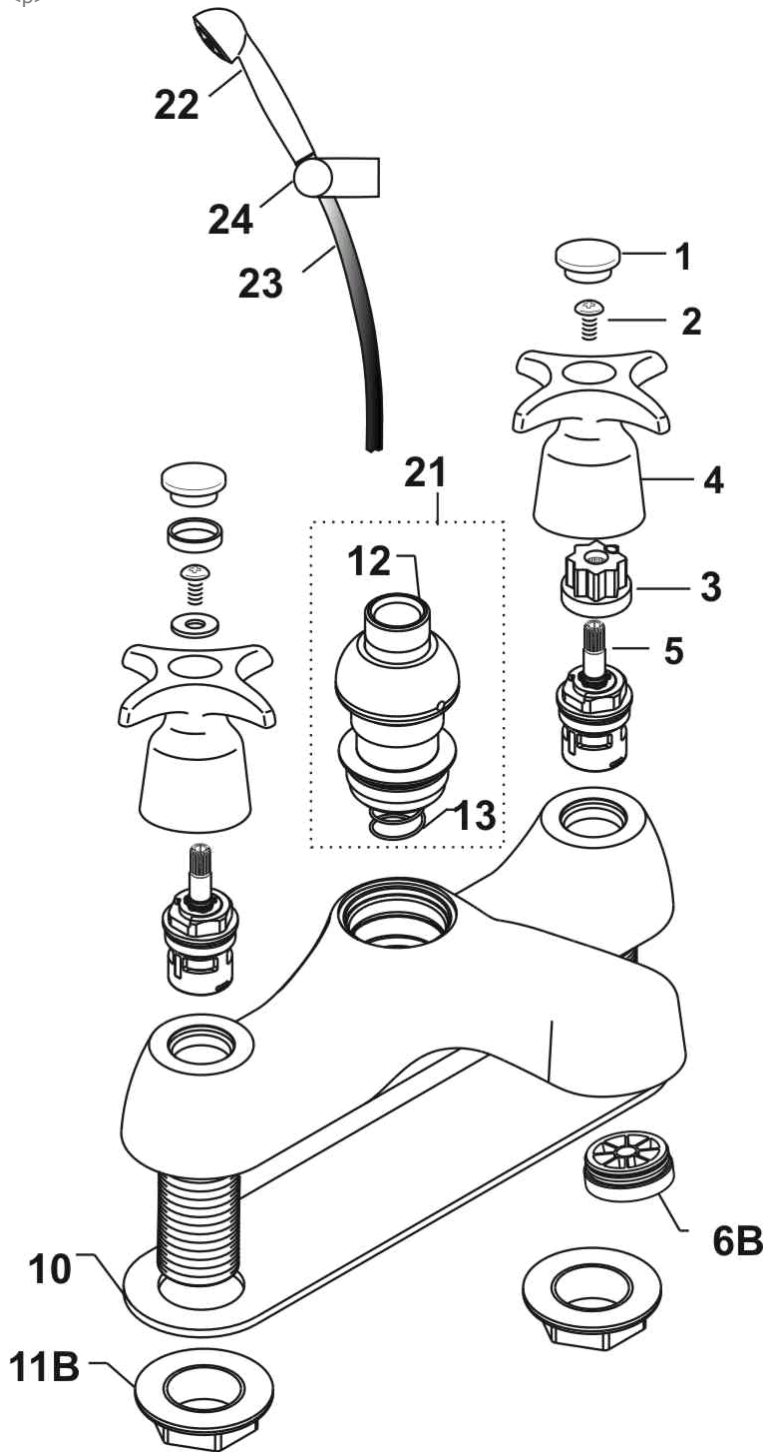


<p>



Ref.	Description	Part No.
4	Handwheel set complete - Pair (1,2,3 & 4)	S9681AA
5	1/2 SE CERAMIC DISC CARTRIDGE CL CLOSE	E960583NU
6c	Flow straightener	SC07CY12NU
10	Gasket	S960136NU
11b	Back nut 3/4in	EESM40710067
12	Divertor	S96133AA
12a	Divertor service kit	S9671NU
13	Divertor Spring	E915813NU
17	Pair of handles complete	S960137AA
19	Seating washers set of four	S960141NU
21	Divertor complete	S961333AA
22	Hand spray	B950791AA11
23	Flexible hose 1.35m	E4745AA
24	Showering station	S960164AA
25	SHOWER HOSE BRACKET - CHROME	EEM134901AA
26	SHOWER HOSE BRACKET - WHITE	EEM13490001

NB -- colour/finish options

Chrome = AA
