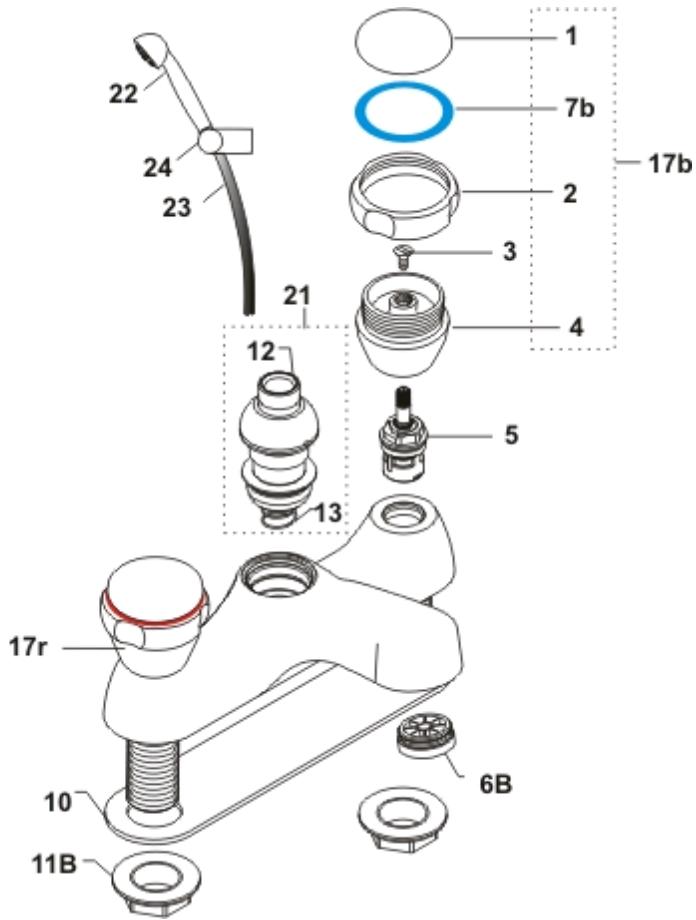


<p>



<b>Ref.</b>	<b>Description</b>	<b>Part No.</b>
1	Handwheel Cap	-
2	Handwheel ring	-
3	Fixing screw M4	A91831914
4	Sandringham BH handwheel body	-
5	1/2 SE CERAMIC DISC CARTRIDGES - PAIR ** SPARES **	S960025NU
5a	1/2 SE CERAMIC DISC CARTRIDGE CL CLOSE	E960583NU
5b	1/2 SE CERAMIC DISC CARTRIDGE A/CL CLOSE	E960582NU
6c	Flow straightener	SC07CY12NU
7r	Index ring - red	-
7b	Index ring - blue	-
10	Gasket	S960136NU
11b	Back nut 3/4in	EESM40710067
12	Divertor	S96133AA
12a	Divertor service kit	S9671NU
13	Divertor Spring	E915813NU
17r	Handle complete Hot	E950375AA
17b	Handle complete Cold	E950376AA
19	Seating washers set of four	S960141NU
21	Divertor complete	S961333AA
22	Hand spray	B950791AA11
23	Flexible hose 1.35m	E4745AA
24	Showering station	S960164AA
25	SHOWER HOSE BRACKET - CHROME	EEM134901AA
26	SHOWER HOSE BRACKET - WHITE	EEM13490001

**NB -- colour/finish options**

Chrome = AA