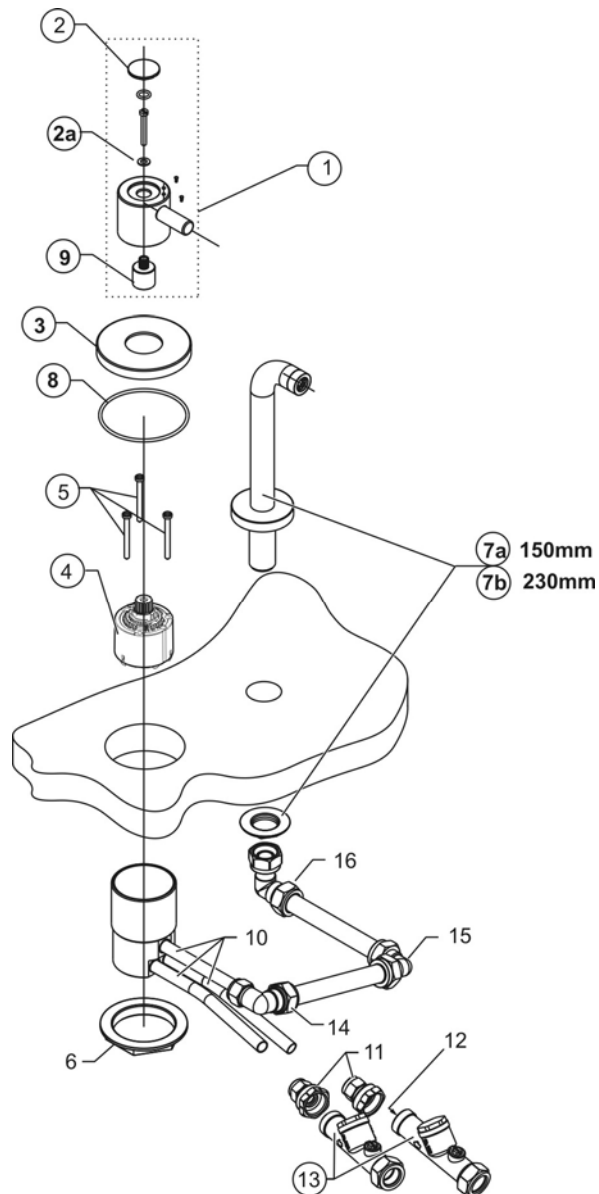


S7422 Contour II Sequential Panel Mounted Mixer with 150mm spout
S7423 Contour II Sequential Panel Mounted Mixer with 230mm spout
New from Dec 2010 – Flexible inlet tails replaced by rigid pipework



Ref.	Description	Spares Code	Ref.	Description	Spares Code
1	Handle assembly complete	S960049AA	9	Handle adapter	S960106NU
2	Cover button	S960028AA	10	Inlet and outlet tails 10mm	B951031AT11
2a	Washer 2BA	S960105NU	11	Compression couplers 10mm x 15mm	E950731NU
3	Escutcheon	E907503AA	12	Flow restrictor 4l/m Captive by	
4	Cartridge (was E960020NU)	A954440NU		o-ring in outlet side of Iso valve	E910202NU
5	Retaining screws for cartridge	S960109NU	13	Isolation valve/strainer	E960613NU
6	Backnut	E90570014	14	Compression elbow 10mm x 15mm	E951030NU
7a	Spout assembly 150mm	S960048AA	15	Compression elbow 15mm x 15mm	E921602NU
7b	Spout assembly 230mm	S960126AA	16	Connector elbow 15mm x G½	E91800167
8	O-ring for escutcheon	S960108NU			