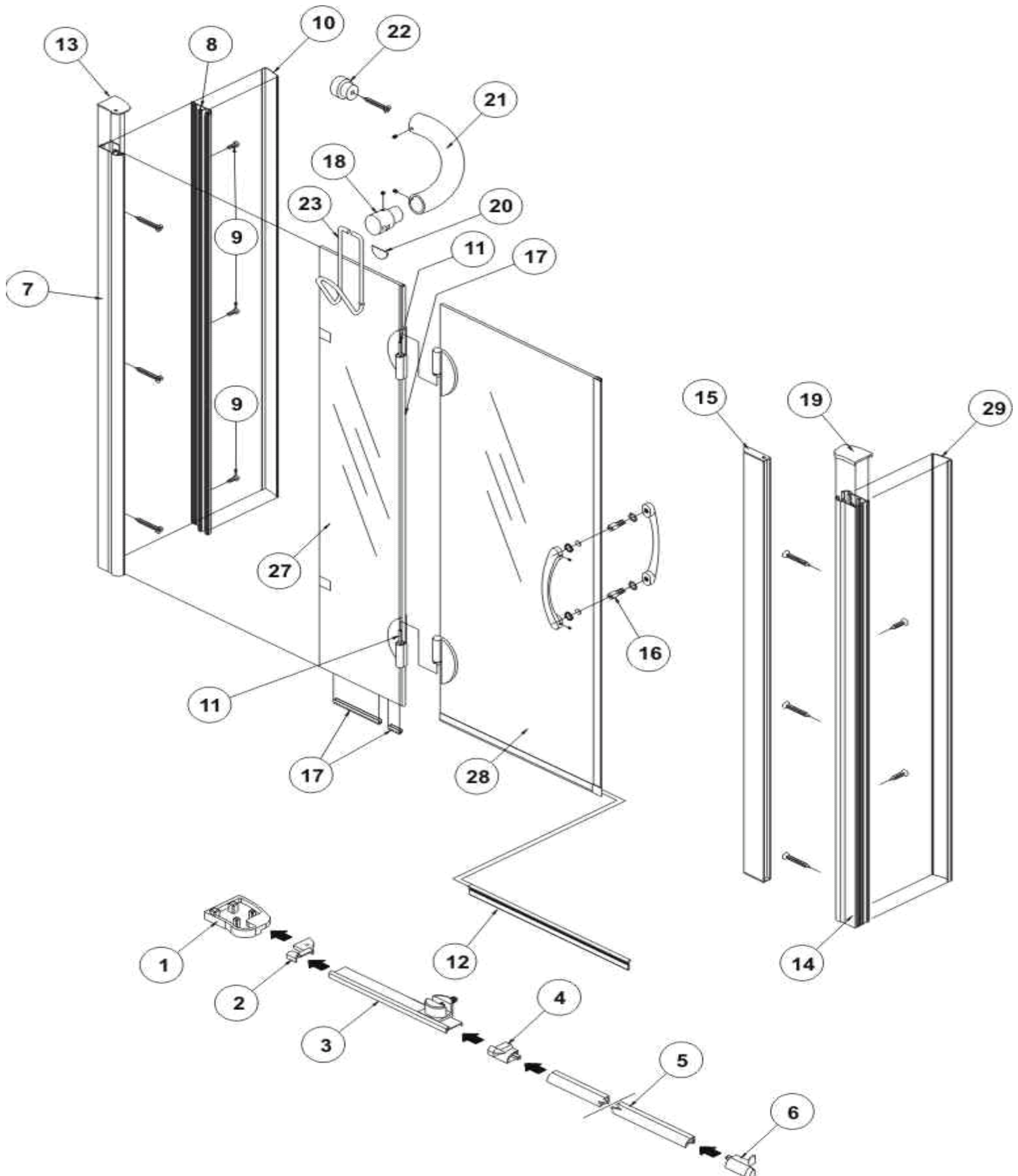
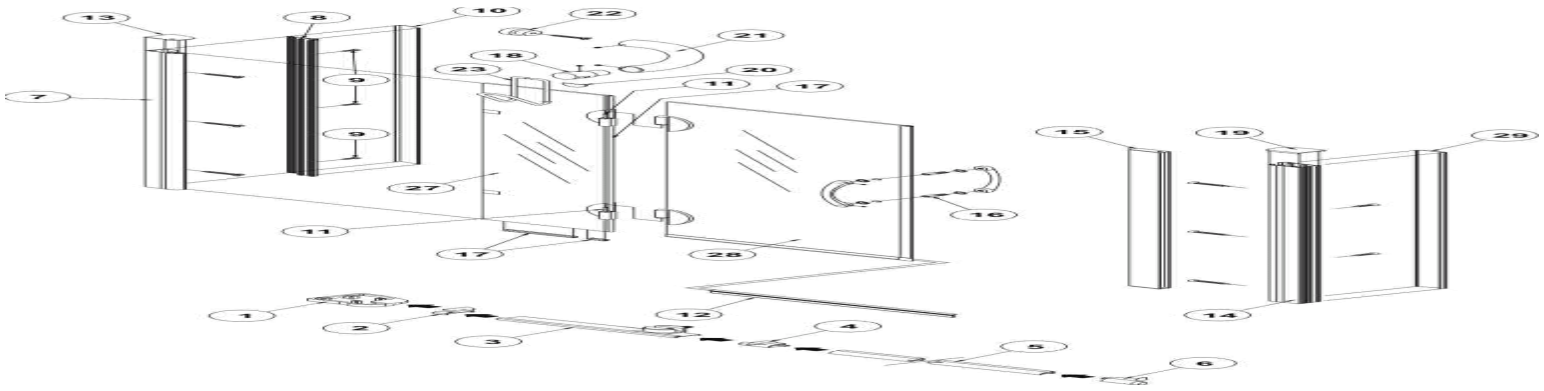


<p>





REF	1		2		3		4		5	6			
COMPONENT		OR			OR			OR				OR	
CUSTOMER DESCRIPTION	L.H. WALL PROFILE BASE MOULDING		R.H. WALL PROFILE BASE MOULDING	L.H. WALL CONNECTION MOULDING		R.H. WALL CONNECTION MOULDING	L.H. BOTTOM RAIL MOULDING AND SCREW		R.H. BOTTOM RAIL MOULDING AND SCREW	ALCOVE RAIL	L.H. RIM END MOULDING		R.H. RIM END MOULDING
QTY	1 (TO SUIT ENCLOSURE)		1 (TO SUIT ENCLOSURE)		1 (TO SUIT ENCLOSURE)		1 (TO SUIT ENCLOSURE)		1	1 (TO SUIT ENCLOSURE)			
SPARES CODE OR PACK	A		A		NO SPARES		A		LV421AC - WHITE LV421YB - SILVER	A			
COMMENTS	AVAILABLE IN MOULDING PACK		AVAILABLE IN MOULDING PACK				AVAILABLE IN MOULDING PACK		AVAILABLE ON IT'S OWN	AVAILABLE IN MOULDING PACK			

REF	7		8		9	10		11			
COMPONENT		SEPARATE				SEPARATE					
CUSTOMER DESCRIPTION	WALL PROFILE WITH SEALS		WALL PROFILE	SEAL	WALL CLAMP PROFILE WITH SEALS		WALL CLAMP PROFILE	SEAL	M4 x 10mm SCREW	COVER PROFILE (1885mm LONG)	HINGE PIN
QTY	1		1	2	1		1	2	3	1	2
SPARES CODE OR PACK	EU10000AC - WHITE EU10000YB - SILVER		B	EU100001AC - WHITE EU100001YB - SILVER		B	NO SPARES	EU100005AC - WHITE EU100005YB - SILVER		NO SPARES	
COMMENTS	AVAILABLE ON IT'S OWN		AVAILABLE IN SEAL PACK	AVAILABLE ON IT'S OWN		AVAILABLE IN SEAL PACK		AVAILABLE ON IT'S OWN			

REF	12	13		14	15		16	17	19					
COMPONENT			OR				SEPARATE						OR	
CUSTOMER DESCRIPTION	FLAP SEAL	L.H. COVER CAP		R.H. COVER CAP	WIDE WALL PROFILE	COMPENSATING PROFILE	ALCOVE ADJUSTER PROFILE	LH & RH TOP CAP 004B	HANDLE	GLASS JOINT SEAL	L.H. ALCOVE COVER CAP		R.H. ALCOVE COVER CAP	
QTY	1	1 (TO SUIT ENCLOSURE)		1	1	1	1	1 OF EACH	1	1	1 (TO SUIT ENCLOSURE)			
SPARES CODE OR PACK	B	A		EU100004AC - WHITE EU100004YB - SILVER		EU100239AC - WHITE EU100239YB - SILVER		NO SPARES	EU100264AA	B	A			
COMMENTS	AVAILABLE IN SEAL PACK	AVAILABLE IN MOULDING PACK		AVAILABLE ON IT'S OWN		AVAILABLE ON IT'S OWN			AVAILABLE ON IT'S OWN	AVAILABLE IN SEAL PACK	AVAILABLE IN MOULDING PACK			

REF	18	20	21	22	23	24	25	26	29
COMPONENT									
CUSTOMER DESCRIPTION	GLASS CLAMP FOR HOOK	CLAMP GASKET	(SMALL) BRACING BRACKET	WALL BOSS	HOOK	FIXING PACK 'C'	SCREW COVER CAP	ALLEN KEY PACK	ALCOVE COVER PROFILE (1885mm LONG)
QTY	1	1	1	1	1	2	8	1	1
SPARES CODE OR PACK	EU100282AC - WHITE EU100282AA - CHROME					EU10027867	D	EU10029467	EU100313AC - WHITE EU100313YB - SILVER
COMMENTS	SMALL BRACKET ASSEMBLY WITH HOOK					AVAILABLE INDIVIDUALLY	PACKS CONTAIN 4-OFF		AVAILABLE ON IT'S OWN

REF	27	28
COMPONENT		
CUSTOMER DESCRIPTION	INFILL PANEL	DOOR
QTY	1	1
SPARES CODE OR PACK	NO SPARES	NO SPARES
COMMENTS	* IF ALCOVE ONLY NEED TO SEND TOP PANEL COVER (SMALL ASSEMBLY)	

ADDITIONAL SPARES

COMPONENT								
DESCRIPTION	R.H. HINGE	L.H. HINGE	O'RING FOR HOOK	MODIFIED CORNER MLDG FOR A L.H. UNIT	CORNER MOULDING FOR A R.H. UNIT	45° MAGNETIC SEAL RH (S-N) FOR A R.H. UNIT	CARRIER SEAL	FLAT MAGNETIC SEAL
SPARES CODE OR PACK	EU100025AC - WHITE EU100025AA - CHROME	EU100024AC - WHITE EU100024AA - CHROME	EU10028767	E	E	B	B	B
COMMENTS	CODES ARE FOR ONE HINGE ASSEMBLY	CODES ARE FOR ONE HINGE ASSEMBLY	AVAILABLE INDIVIDUALLY	AVAILABLE IN CLR MLDG PACK	AVAILABLE IN CLR MLDG PACK	AVAILABLE IN SEAL PACK	AVAILABLE IN SEAL PACK	AVAILABLE IN SEAL PACK

REF	1		2		3		4		5	6	
COMPONENT											
CUSTOMER DESCRIPTION	LH WALL PROFILE BASE MOULDING	RH WALL PROFILE BASE MOULDING	LH WALL CONNECTION MOULDING	RH WALL CONNECTION MOULDING	LH BOTTOM RAIL Moulding AND SCREW	RH BOTTOM RAIL Moulding AND SCREW	LH COMPRESSION MOULDING	RH COMPRESSION MOULDING	ALCOVE RAIL	LH RIM END MOULDING	RH RIM END MOULDING
QTY	1 (TO SUIT ENCLOSURE)		1 (TO SUIT ENCLOSURE)		1 (TO SUIT ENCLOSURE)		1 (TO SUIT ENCLOSURE)		1	1 (TO SUIT ENCLOSURE)	
SPARES CODE PACK	A		A		NO SPARES		A		LV421AC - WHITE LV421YB - SILVER	A	
COMMENTS	AVAILABLE IN Moulding PACK		AVAILABLE IN Moulding PACK				AVAILABLE IN Moulding PACK		AVAILABLE ON IT'S OWN	AVAILABLE IN Moulding PACK	

REF	7		SEPARATE	8		SEPARATE	9	10		11
COMPONENT										
CUSTOMER DESCRIPTION	WALL PROFILE WITH SEALS	WALL PROFILE	SEAL	WALL CLAMP PROFILE WITH SEALS	WALL CLAMP PROFILE	SEAL	M4 x 10mm SCREW	COVER PROFILE (1886mm Lx92)	HINGE PIN	
QTY	1	1	2	1	1	2	3	1	2	
SPARES CODE PACK	EU100000AC - WHITE EU100000YB - SILVER		B	EU100001AC - WHITE EU100001YB - SILVER		B	NO SPARES	EU100005AC - WHITE EU100005YB - SILVER	NO SPARES	
COMMENTS	AVAILABLE ON IT'S OWN		AVAILABLE IN SEAL PACK	AVAILABLE ON IT'S OWN		AVAILABLE IN SEAL PACK		AVAILABLE ON IT'S OWN		

REF	12		13		14		15		16	17		19	
COMPONENT													
CUSTOMER DESCRIPTION	FLAP SEAL	LH COVER CAP	RH COVER CAP	WIDE WALL PROFILE	COMPENSATING PROFILE	ALCOVE ADJUSTER PROFILE	LH & RH TOP CAP GLER	HANDLE	GLASS JOINT SEAL	LH ALCOVE COVER CAP	RH ALCOVE COVER CAP	LH ALCOVE COVER CAP	RH ALCOVE COVER CAP
QTY	1	1 (TO SUIT ENCLOSURE)		1	1	1	1 OF EACH	1	1	1	1	1 (TO SUIT ENCLOSURE)	
SPARES CODE PACK	B	A		EU100004AC - WHITE EU100004YB - SILVER		EU100239AC - WHITE EU100239YB - SILVER		NO SPARES	EU100264AA	B		A	
COMMENTS	AVAILABLE IN SEAL PACK	AVAILABLE IN Moulding PACK		AVAILABLE ON IT'S OWN		AVAILABLE ON IT'S OWN				AVAILABLE IN SEAL PACK		AVAILABLE IN Moulding PACK	

REF	18	20	21	22	23	24	25	26	29
COMPONENT									
CUSTOMER DESCRIPTION	GLASS CLAMP FOR HOOK	CLAMP GASKET	SMALL BRACING BRACKET	WALL BOSS	HOOK	FIXING PACK 'C'	SCREW COVER CAP	ALLEN KEY PACK	ALCOVE COVER PROFILE (1895mm Lx92)
QTY	1	1	1	1	1	2	5	1	1
SPARES CODE PACK	EU100282AC - WHITE EU100282AA - CHROME					EU10027867	D	EU10029467	EU100313AC - WHITE EU100313YB - SILVER
COMMENTS	SMALL BRACKET ASSEMBLY WITH HOOK					AVAILABLE INDIVIDUALLY	PACKS CONTAIN 5-PCS		AVAILABLE ON IT'S OWN

REF	27		28	
COMPONENT				
CUSTOMER DESCRIPTION	INFILL PANEL		DOOR	
QTY	1		1	
SPARES CODE PACK	NO SPARES		NO SPARES	
COMMENTS	IF ALCOVE COVER PROFILE IS ORDERED, THESE DOORS ARE NOT REQUIRED			

COMPONENT									
DESCRIPTION	RH HINGE	LH HINGE	O-RING FOR HOOK	MODIFIED CORNER MLDG FOR LH UNIT	O-RING FOR HOOK	CORNER Moulding FOR RH UNIT	35° MAGNETIC SEAL (LH)	CARRIER SEAL	FLAT MAGNETIC SEAL
SPARES CODE PACK	EU100025AC - WHITE EU100025AA - CHROME		EU100024AC - WHITE EU100024AA - CHROME	EU10028767	E	E	B	B	B
COMMENTS	CHECKS ARE FOR ONE HINGE ASSEMBLY		CHECKS ARE FOR ONE HINGE ASSEMBLY	AVAILABLE INDIVIDUALLY	AVAILABLE IN LH MLDG PACK	AVAILABLE IN LH MLDG PACK	AVAILABLE IN SEAL PACK	AVAILABLE IN SEAL PACK	AVAILABLE IN SEAL PACK

Ref.	Description	Part No.
A	Bliss Enclosures Moulding Pack (AA orAC)	LV422--
B	Bliss Enclosures Spares Seal Pack	LV41767
C	Bliss Enclosures Oval Knob Pack (AA orAC)	LV418--
D	Bliss Hinge Cover Cap Pack (AA orAC)	LV420--
E	Bliss Enclosures Clear Moulding Pack	LV41967
-	ALC COVER PROFILE LENGTH 1895MM	LV424--
-	ALCOVE ADJUSTER PROFILE 1889MM	LV425--
-	WIDE WALL PROFILE LENGTH 1895MM	LV426--
3	BLISS 800 ALCOVE FRONT RAIL 485MM	LV659--
5	FRONT RIM BASE FOR 900 ALCOVE - 667MM	LV421--
5	FRONT RIM BASE FOR 800 ALCOVE - 545MM	LV483--
9	COVER PROFILE LENGTH 1886MM	LV423--
7	WALL CLAMP PROFILE 1886MM	LV427--
6	WALL PROFILE 1886MM	LV428--
-	White Mldg 058 RH Profile End	EU100317--
-	White Mldg 058 LH Profile End	EU100318--
-	OVAL HINGE ASSEMBLED RH (DX)	EU100025--
-	OVAL HINGE ASSEMBLED LH (DX)	EU100024--
-	CLEAR 8MM O-RING FOR HOOK	EU10028767
14	STRAIGHT HANDLE PAIR WITH FIXINGS	EU100264--
16-19	SMALL BRACKET ASSEMBLY W/OUT HOOK	EU100283--
17-21	RAW SMALL BRACKET ASSEMBLY WITH HOOK	EU10028267
22	BLISS FIXING PACK A CONTENTS DRG W7951/4	EU10027667
24	2.5MM & 3MM ALLEN KEY PACK	EU10029467
33	M4X10MM A2 BUTTON POZI HEAD SCREW ST/ST	EU10056367
34	BLISS ALC 800/900RAIL LH SILVER 175MM	LV568AA
35	BLISS ALC 800/900 RAIL RH SILVER 175MM	LV569AA
40	BLISS HINGE GASKET CLEAR	LV60767
100	GLASS JOINT SEAL	LV67367
101	OFFSET WASHER - WHITE	LV651AC

NB -- colour/finish options

Silver = AA
White = AC
SIL/BRL = YB