

L6283EO SYNERGY QUAD 800 BRT/SIL CLEAR UK
 consists of: x1 - L6276EO SYNERGY FXD PNL 800 BRT/SIL QUAD UK (Pack 1)
 x1 - L6277EO SYNERGY DR PNL 800 BRT/SIL QUAD UK (Pack 2)

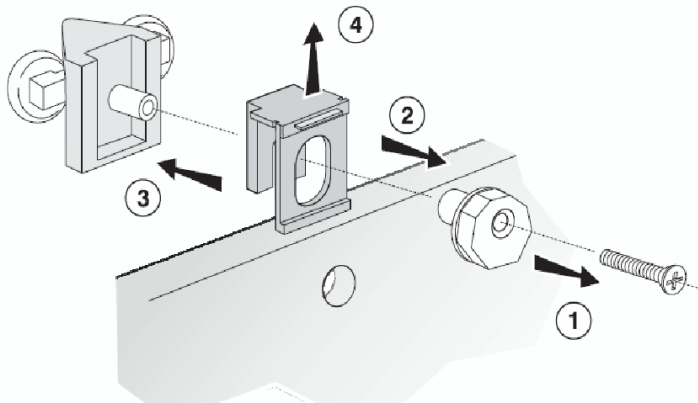
L6284EO SYNERGY QUAD 900 BRT/SIL CLEAR UK
 consists of: x1 - L6278EO SYNERGY FXD PNL 900 BRT/SIL QUAD UK (Pack 1)
 x1 - L6279EO SYNERGY DR PNL 900 BRT/SIL QUAD UK (Pack 2)

L6285EO SYNERGY QUAD 1000 BRT/SIL CLEAR UK
 consists of: x1 - L6291EO SYNERGY FXD PNL 1000 BRT/SIL QUAD UK (Pack 1)
 x1 - L6292EO SYNERGY DR PNL 1000 BRT/SIL QUAD UK (Pack 2)

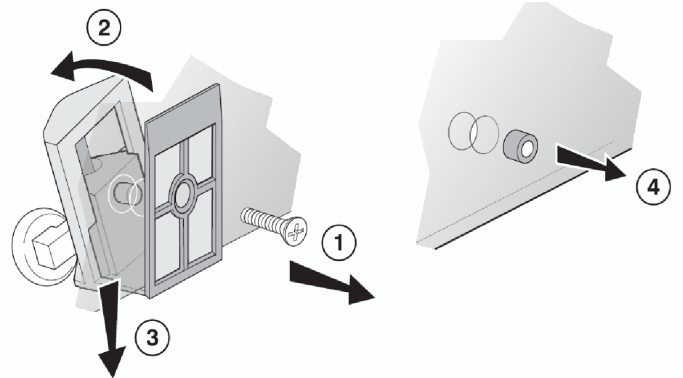
L6286EO SYNERGY QUAD 900 BRT/SIL OFFSET CLEAR UK
 consists of: x1 - L6235EO SYNERGY FXD PNL 900 BRT/SIL QUAD O/S UK (Pack 1)
 x1 - L6236EO SYNERGY DR PNL 900 BRT/SIL QUAD O/S UK (Pack 2)

L6287EO SYNERGY QUAD 1200 BRT/SIL OFFSET CLR UK
 consists of: x1 - L6237EO SYNERGY FXD PNL 1200 BRT/SIL QUAD O/S UK (Pack 1)
 x1 - L6238EO SYNERGY DR PNL 1200 BRT/SIL QUAD O/S UK (Pack 2)

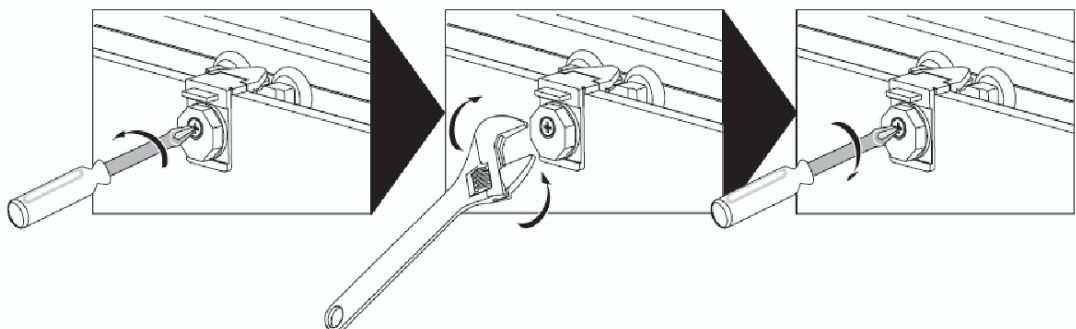
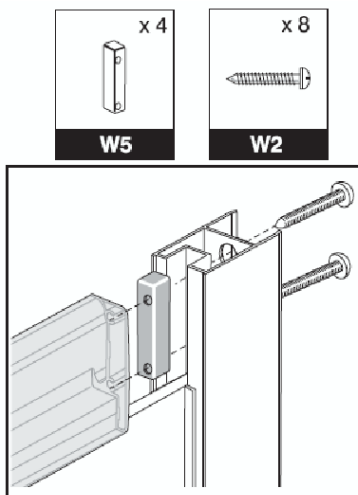
SYNERGY UK QUADRANT Instruction Number: 4845



TOP WHEEL REMOVAL



BOTTOM WHEEL REMOVAL



**Pack 1
Quadrant Panels**



Ref	F1	F2	F3	F4	F5	F6
Frame Components	x 2	x 2	x 2	x 2	x 4	x 2

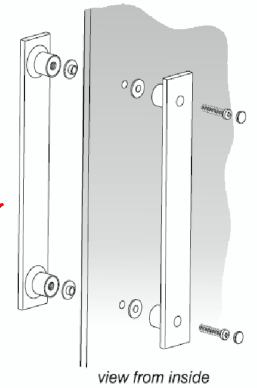
Ref	W1	W2	W3	W4	W5	W6
Wall Fixing Pack	x 8	x 16	x 16	x 8	x 4	x 4
	x 2	x 2	x 4	RH0445		

**Pack 2
Quadrant Doors**



Ref	D1	D2	D3	D4	D5
Door Components	x 1	x 1	x 2	x 2	x 2

Ref	M1	M2	M3	M4	M5	M6	M7
Moulding Pack	x 4	x 4	x 2	x 1	x 1	Grease	x 2



Ref.	Description	Spares Part No.	Ref.	Description	Spares Part No.
F1	Wall Profile	LV802EO	D1	Door	(new pack required)
F2	Cover Profile	LV803EO	D2	Door	(new pack required)
F3	Fixed Panel	(new pack required)	D3	Door Vertical Seal	LV83667
F4	800 Quad Curved Rail	LV806EO	D4	Handle Assembly	LV845AA
F4	900 Quad Curved Rail	LV807EO		(includes all fixings required)	
F4	1000 Quad Curved Rail	LV808EO	x	Handle Screw	LV85867
F4	900x800 Quad Curved Rail LH	LV809EO	x	Handle Gasket	LV85967
F4	900x800 Quad Curved Rail RH	LV810EO	x	Handle Cover Cap Mldg	LV860AA
F4	1200x900 Quad Curved Rail LH	LV811EO	x	Handle Spares Pack	LV821AA
F4	1200x900 Quad Curved Rail RH	LV812EO		contains: (x2 screws, x4 gaskets, x2 cover caps)	
F5	Fixed Panel Horizontal Seal	LV83067	D5	Magnet Door LH Seal	LV83267
	(601mm length) located top & bottom of panel		M1	Top Wheel Cover Mldg	LV868AA
F6	Fixed Panel Vertical Seal	LV83167	M2	Bottom Wheel Cover Mldg	LV869AA
W1	Wall Plug	(not available separately)	M3	Adjuster Top Cap	LV854AA
W2	No.8x35mm Pan Hd Screw	LV86567	M4	Wall Profile LH Top Cap	LV855AA
W3	No.8x8mm Pan Hd Screw	LV86667	M5	Wall Profile RH Top Cap	LV856AA
W4	Wall Profile Mldg	LV867LJ	M6	Lube Pack	LV84467
W5	Fixed Panel Slider Adjuster Mldg	LV871LJ	M7	No.8x18mm CSK Screw	LV82267
	(located in adjuster profile above & below glass)		x	Door Stop Assembly	LV853AA
W6	No.8x12mm Pan Hd Screw	LV87467	x	Top Wheel Assembly	LV846AA
W7	Fixed Panel Retainer LH Mldg	LV872AA	x	Bottom Wheel Assembly	LV847AA
	(screw for this mldg is LV87467)		x	Sliding Door Mldg Pack	LV825AA
W8	Fixed Panel Retainer RH Mldg	LV873AA		contains:(x4 W9, x4 M1, x4 M2, x2 M3, x1 M4, x1 M5)	
	(screw for this mldg is LV87467)		x	Fixed Panel Pack	LV826AA
W9	Fixed Panel Cover Mldg	LV870AA		contains:(x4 W9, x2 LV872AA, x2 LV873AA, x4 LV87467, x4 LV871LJ)	
x	Wall Fixing Pack	LV86167			
	contains: (x8 W1, x8 W2, x16 W3, x8 W4)				
x	Glazing Seal 2M length	LV81367			
	(vertical seal holds panel into aluminium profile)				
x	Infold & Top Caps Mldg Pack	LV823AA			
	contains:(x2 M3, x1 M4, x1 M5)				

