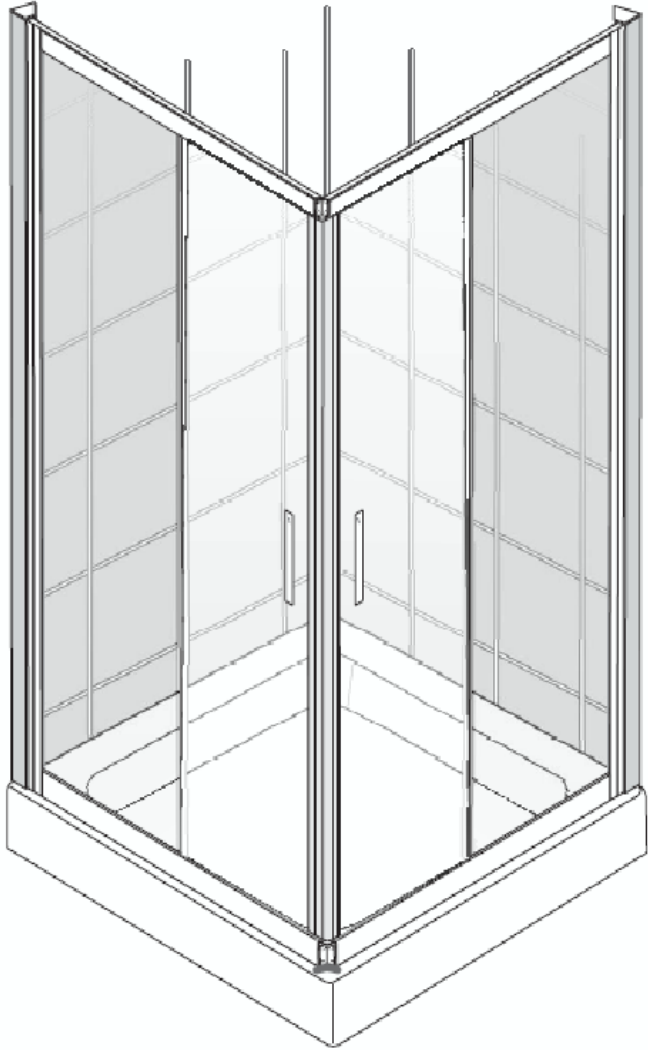


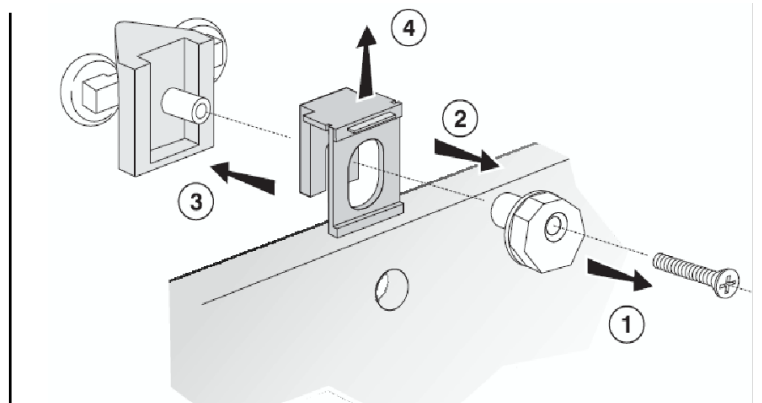
**L6280EO SYNERGY C/E ENC 800 BRT/SIL CLEAR UK**  
 consists of: x1 - L6270EO SYNERGY C/E DR 800 BRT/SIL LH UK (Pack 1)  
 x1 - L6271EO SYNERGY C/E DR 800 BRT/SIL RH UK (Pack 2)

**L6281EO SYNERGY C/E ENC 900 BRT/SIL CLEAR UK**  
 consists of: x1 - L6272EO SYNERGY C/E DR 900 BRT/SIL LH UK (Pack 1)  
 x1 - L6273EO SYNERGY C/E DR 900 BRT/SIL RH UK (Pack 2)

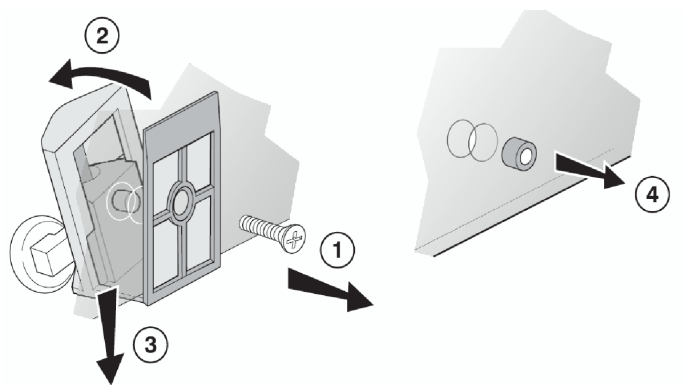
**L6282EO SYNERGY C/E ENC 1000 BRT/SIL CLEAR UK**  
 consists of: x1 - L6274EO SYNERGY C/E DR 1000 BRT/SIL LH UK (Pack 1)  
 x1 - L6275EO SYNERGY C/E DR 1000 BRT/SIL RH UK (Pack 2)



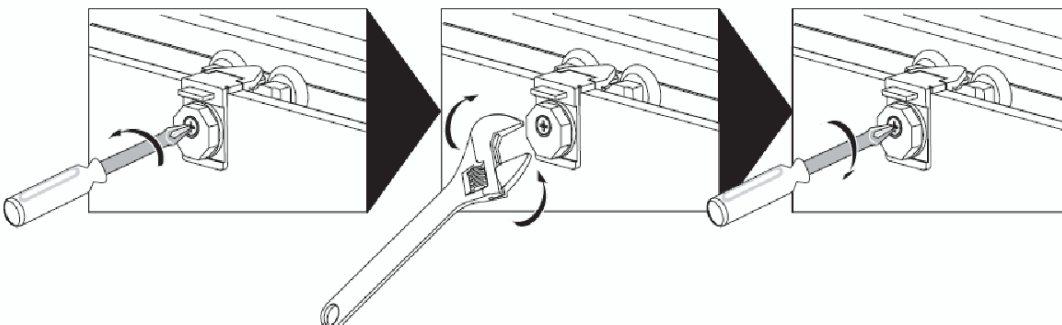
**SYNERGY UK CORNER ENTRY**  
 Instruction Number: 4844



**TOP WHEEL REMOVAL**



**BOTTOM WHEEL REMOVAL**



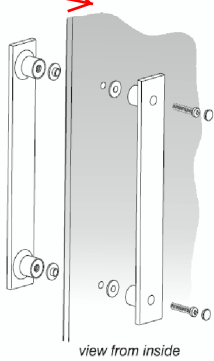
**Pack 1  
Corner Entry**



Ref	F1	F2	F3	F4	F5	F6	F8	F9	F10
Components	x 1	x 1	x 1	x 1	x 1	x 1	x 1	x 1	x 1

Ref	W1	W2	W3	W4	W5	W6	W7
Wall Fixing Pack	x 4	x 4	x 8	x 4	x 1	x 1	x 4

Ref	M1	M2	M3	M4	M5	M7	M8
Moulding Pack	x 2	x 2	x 2	x 1	x 1	x 1	x 1



**Pack 2  
Corner Entry**



Ref	F1	F2	F3	F5	F6	F7	F8	F9	F10
Components	x 1	x 1	x 1	x 1	x 1	x 1	x 1	x 1	x 1

Ref	W1	W2	W3	W4	W5	W6	W7
Wall Fixing Pack	x 4	x 4	x 8	x 4	x 1	x 1	x 4

Ref	M1	M2	M3	M4	M6	M7	M8
Moulding Pack	x 2	x 2	x 2	x 1	x 1	x 1	x 1

Ref.	Description	Spares Part No.	Ref.	Description	Spares Part No.
F1	Wall Profile	LV802EO	M1	Fixed Panel Cover Mldg	LV870AA
F2	Cover Profile	LV803EO	M2	Top Wheel Cover Mldg	LV868AA
F3	Frame	(new pack required)	M3	Bottom Wheel Cover Mldg	LV869AA
F4	Door	(new pack required)	M4	Adjuster Top Cap	LV854AA
F5	Door Vertical Seal	LV83667	M5	Wall Profile LH Top Cap	LV855AA
F6	Handle Assembly	LV845AA	M6	Wall Profile RH Top Cap	LV856AA
	(includes all fixings required)		M7	Lube Pack	LV84467
x	Handle Screw	LV85867	M8	No.8x18mm CSK Screw	LV82267
x	Handle Gasket	LV85967			
x	Handle Cover Cap Mldg	LV860AA	x	Fixed Panel Slider Adjuster Mldg	LV871LJ
x	Handle Spares Pack	LV821AA		(located in adjuster profile above & below glass)	
	contains: (x2 screws, x4 gaskets, x2 cover caps)				
F7	Door	(new pack required)	x	Fixed Panel Retainer LH Mldg	LV872AA
F8	Magnet Door LH Seal	LV83267		(screw for this mldg is LV87467)	
F9	Magnet Door RH Seal	LV83367	x	Fixed Panel Retainer RH Mldg	LV873AA
F10	Fixed Panel Vertical Seal	LV83167		(screw for this mldg is LV87467)	
W1	Wall Plug	(not available separately)	x	No.8x12mm Pan Hd Screw	LV87467
W2	No.8x35mm Pan Hd Screw	LV86567	x	Door Stop Assembly	LV853AA
W3	No.8x8mm Pan Hd Screw	LV86667	x	Top Wheel Assembly	LV846AA
W4	Wall Profile Mldg	LV867LJ	x	Bottom Wheel Assembly	LV847AA
W5	C/E Corner Moulding	LV862LJ	x	C/E Fixing Pack	LV824AA
W6	C/E Corner Cover Moulding	LV863LJ		contains:(x4 W7, x1 W5, x1 W6)	
W7	No.8x35mm Pan Hd Screw	LV86567	x	Sliding Door Mldg Pack	LV825AA
x	Wall Fixing Pack	LV86167		contains:(x4 M1, x4 M2, x4 M3, x2 M4, x1 M5, x1 M6)	
	contains: (x8 W1, x8 W2, x16 W3, x8 W4)		x	Fixed Panel Pack	LV826AA
x	Glazing Seal 2M length	LV81367		contains:(x4 M1, x2 LV872AA, x2 LV873AA, x4 LV87467, x4 LV871LJ)	
	(vertical seal holds panel into aluminium profile)				
x	Fixed Panel Horizontal Seal	LV83067			
	(601mm length) located top & bottom of panel				
x	Infold & Top Caps Mldg Pack	LV823AA			
	contains:( x2 M4, x1 M5, x1 M6)				