

# PRODUCT ASSEMBLY DIAGRAM

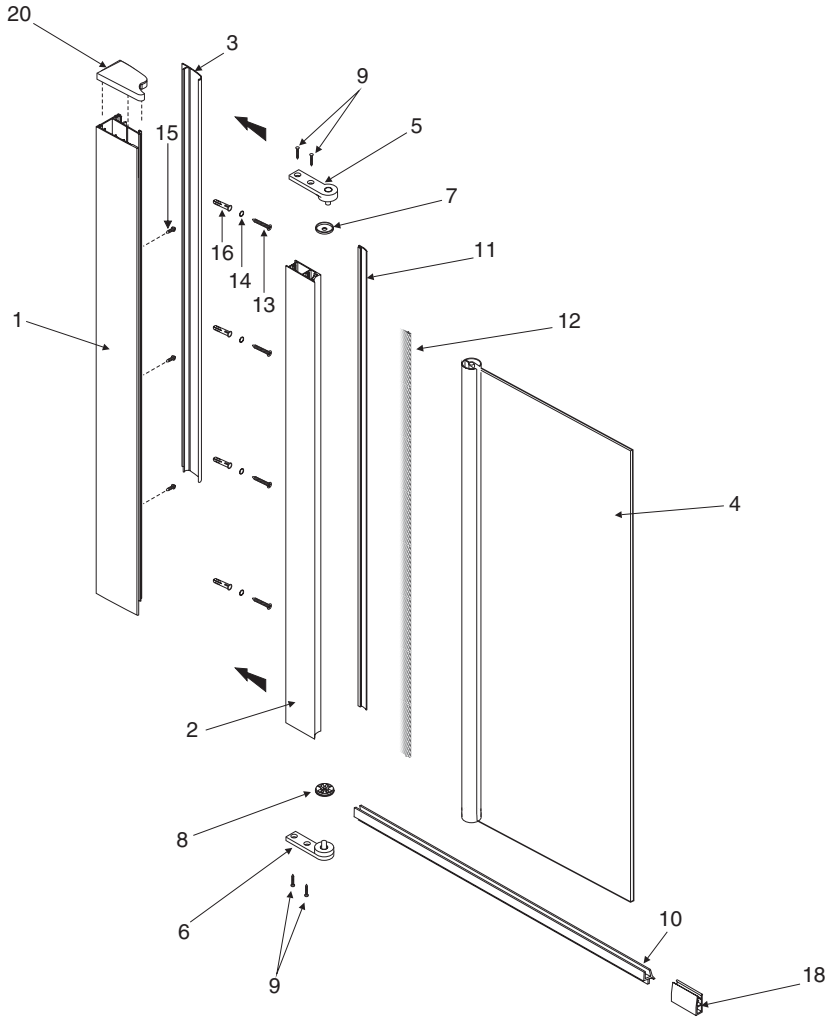


Fig. 2

# COMPONENTS FOR PRODUCT ASSEMBLY

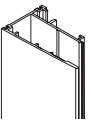



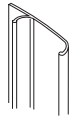


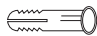
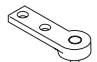
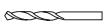
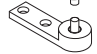
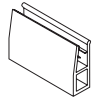





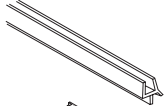

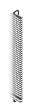
| Screen Assembly |   |          | Fixing Pack |   |          |
|-----------------|---|----------|-------------|---|----------|
| Ref.            |   | Quantity | Ref.        |   | Quantity |
| 1               |    | 1        | 13          |    | 4        |
| 2               |    | 1        | 14          |    | 7        |
| 3               |    | 1        | 15          |    | 3        |
| 4               |    | 1        | 16          |    | 4        |
| 5               |    | 1        | 17          |  | 1        |
| 6               |    | 1        | 18          |  | 1        |
| 7               |    | 1        | 19          |  | 1        |
| 8               |  | 1        | 20          |  | 1        |
| 9               |  | 4        |             |   |          |
| 10              |  | 1        |             |   |          |
| 11              |  | 1        |             |   |          |
| 12              |  | 1        |             |   |          |

Fig. 3

Revision: 2  
Date: 10.01.11

| SCREEN<br>SAP Code | Description                    |
|--------------------|--------------------------------|
| L6211AA            | SYNERGY BTH SCR SILVER 6mm BOW |

Instruction Number: 4812

| REF:                    | SAP CODE   | DESCRIPTION  |
|-------------------------|------------|--|
| 1                       | LV429AA    | Wall Profile 1500mm  |
| 2,11,12                 | LV474AA    | Adjuster Profile c/w adjuster profile 1487mm, brush + vert seals |
| 3                       | LV430AA    | Cover Profile 1500mm   |
| 5,9                     | LV471AA    | LH Pack c/w x1 LH Casting, x2 Screws                             |
| 6,9                     | LV472AA    | RH Pack c/w x1 RH Casting, x2 Screws                             |
| 9                       | EE72557567 | No.6 x 25mm CSK Screws for Castings                              |
| 7                       | EE725644AH | Flat Cam (Dark Grey)   |
| 8                       | EE725643AH | 0° Cam (Dark Grey)   |
| 12                      | LV44867    | Brush Seal   |
| 10                      | LV95767    | Screen Deflector Seal 20mm                                       |
| 11                      | LV44667    | Flexible Vertical Seal   |
| 13,14,15,16,17,18,19,20 | EELV79467  | Synergy Screen Fixing Pack                                       |