

PRODUCT ASSEMBLY DIAGRAM

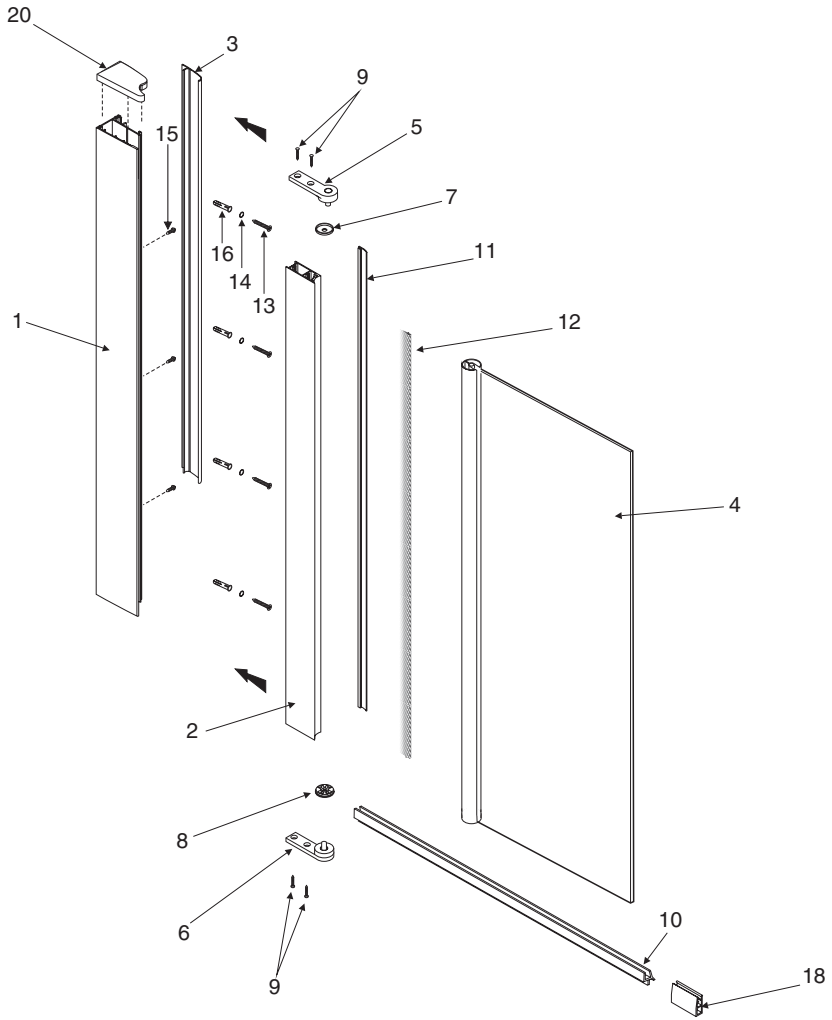


Fig. 2

COMPONENTS FOR PRODUCT ASSEMBLY

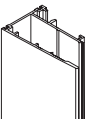



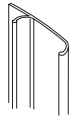


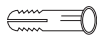
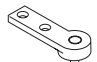
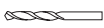
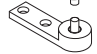
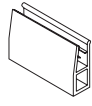





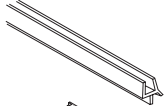

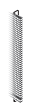
Screen Assembly			Fixing Pack		
Ref.		Quantity	Ref.		Quantity
1		1	13		4
2		1	14		7
3		1	15		3
4		1	16		4
5		1	17		1
6		1	18		1
7		1	19		1
8		1	20		1
9		4			
10		1			
11		1			
12		1			

Fig. 3

Revision: 2
Date: 10.01.11

SCREEN SAP Code	Description
L6210AA	SYNERGY BTH SCR SILVER 6mm ANGLE

Instruction Number: 4812

REF:	SAP CODE	DESCRIPTION
1	LV429AA	Wall Profile 1500mm
2,11,12	LV474AA	Adjuster Profile c/w adjuster profile 1487mm, brush + vert seals
3	LV430AA	Cover Profile 1500mm
5,9	LV471AA	LH Pack c/w x1 LH Casting, x2 Screws
6,9	LV472AA	RH Pack c/w x1 RH Casting, x2 Screws
9	EE72557567	No.6 x 25mm CSK Screws for Castings
7	EE725644AH	Flat Cam (Dark Grey)
8	EE725643AH	0° Cam (Dark Grey)
12	LV44867	Brush Seal
10	LV95767	Screen Deflector Seal 20mm
11	LV44667	Flexible Vertical Seal
13,14,15,16,17,18,19,20	EELV79467	Synergy Screen Fixing Pack