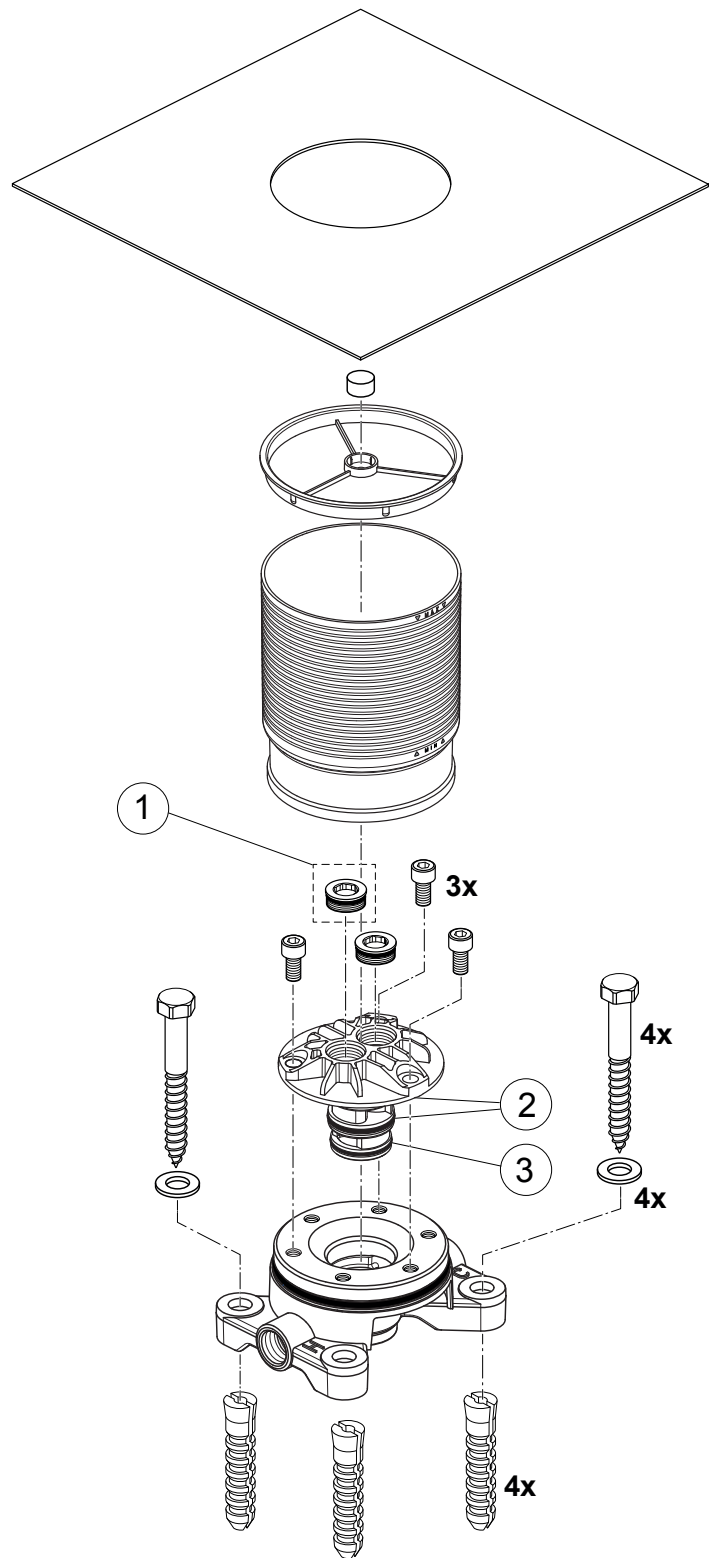
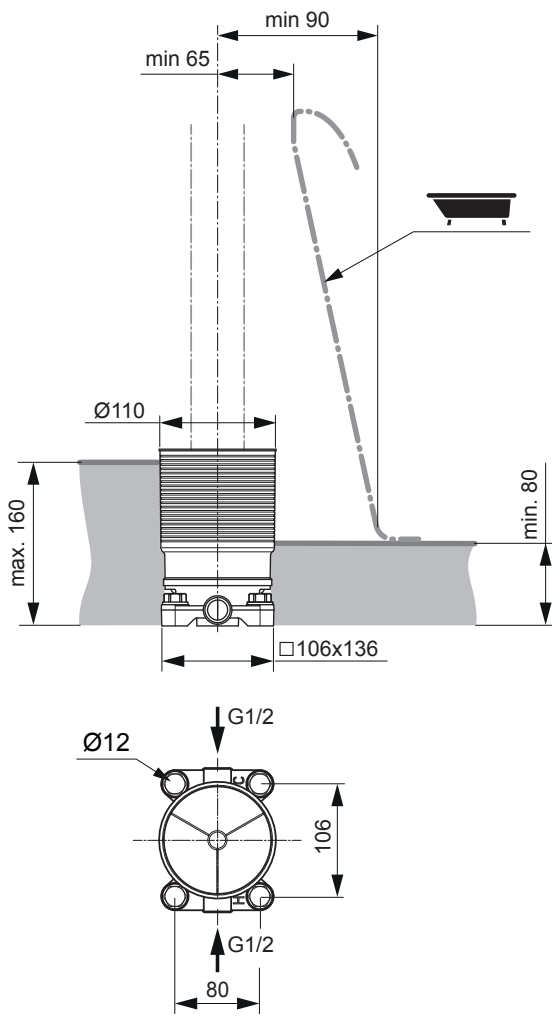


# Melange floorstanding A6133NU

Produced since: Dec. 2020

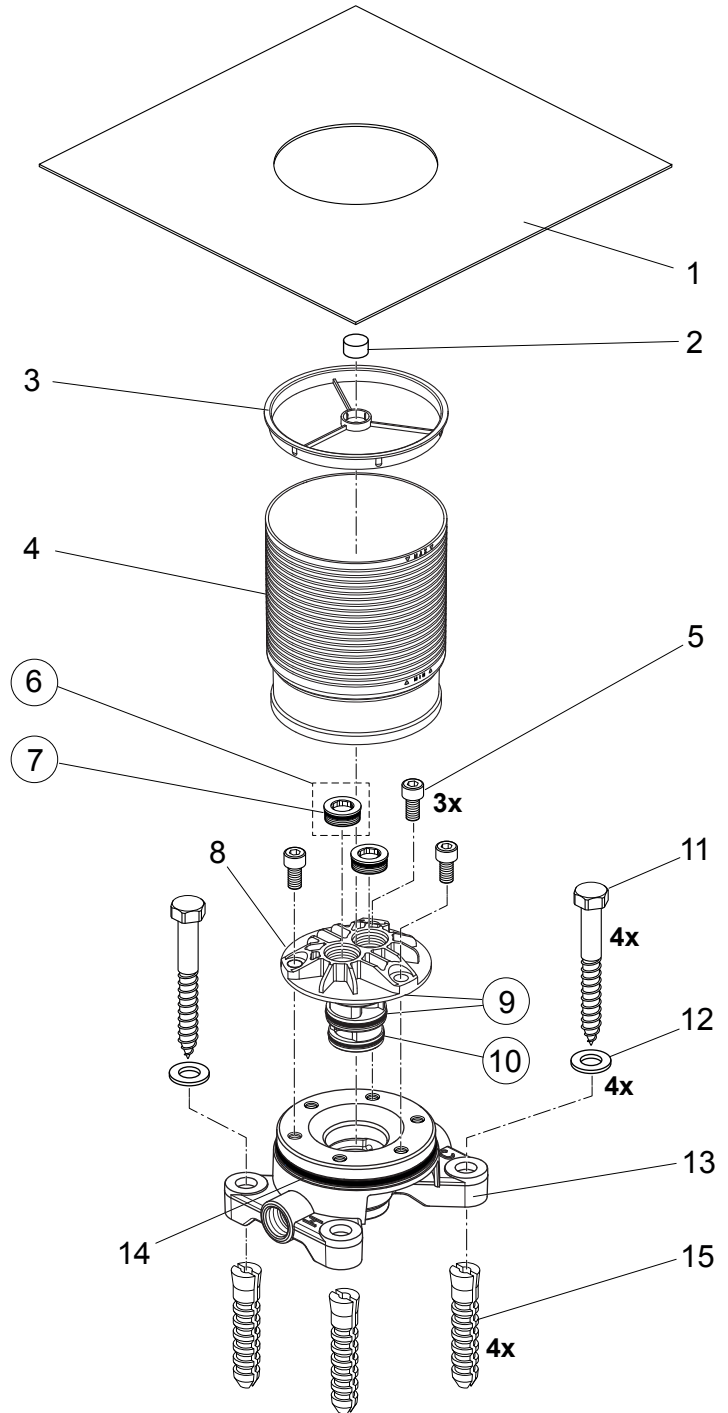
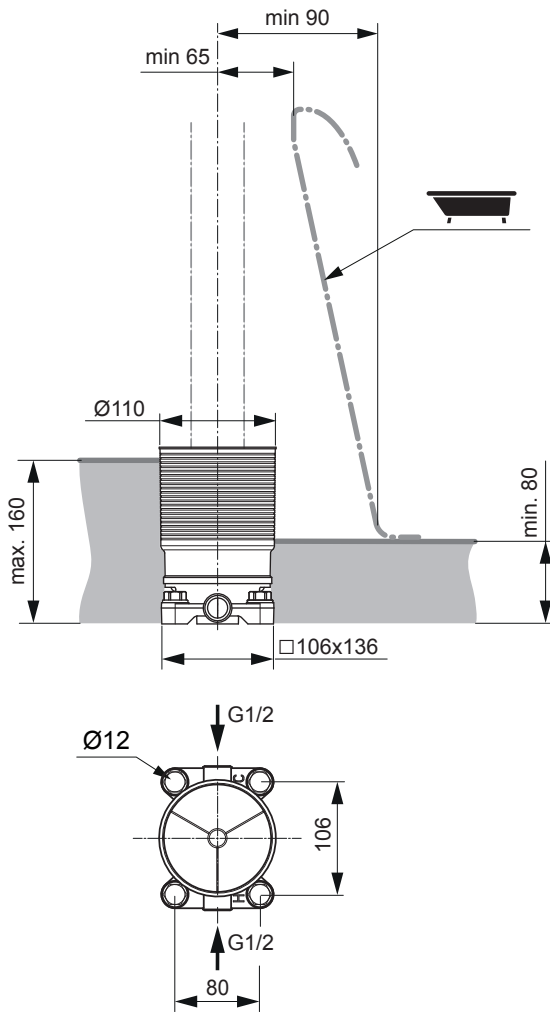


Pre-installation kit 1 **A6133NU**

Pos.	Description	Part-Number	Qty.	Pos.	Description	Part-Number	Qty.
1	Plug G1/2 with o-ring	<b>A 963 548 NU</b>	1 pcs				
2	O - ring Ø 29,82 x 2,62	<b>N 960 006 NU</b>	5 pcs				
3	O - ring Ø 28,3 x 1,78	<b>A 961 667 NU</b>	2 pcs				

# Melange floorstanding A6133NU

Produced since: Nov. 2013 - Nov. 2020



Pre-installation kit 1 **A6133NU**

Pos.	Description	Part-Number	Qty.	Pos.	Description	Part-Number	Qty.
1	Sealing fleece			9	O - ring Ø 29,82 x 2,62	<b>N 960 006 NU</b>	5 pcs
2	Circular level			10	O - ring Ø 28,3 x 1,78	<b>A 961 667 NU</b>	2 pcs
3	Cover for built-in box			11	Screw ( hexagon ) DIN 571 - 12 x 100		
4	Built-in box ( plaster guard )			12	Washer DIN 125 - B13		
5	Screw M8 x 16 DIN 912			13	Body ( floor connector )		
6	Plug G1/2 with o-ring	<b>A 963 548 NU</b>	1 pcs	14	O - ring Ø 90 x 3		
7	O - ring Ø 17 x 2	<b>A 961 810 NU</b>	2 pcs	15	Dowel - Fischer S16		
8	Flushing device						