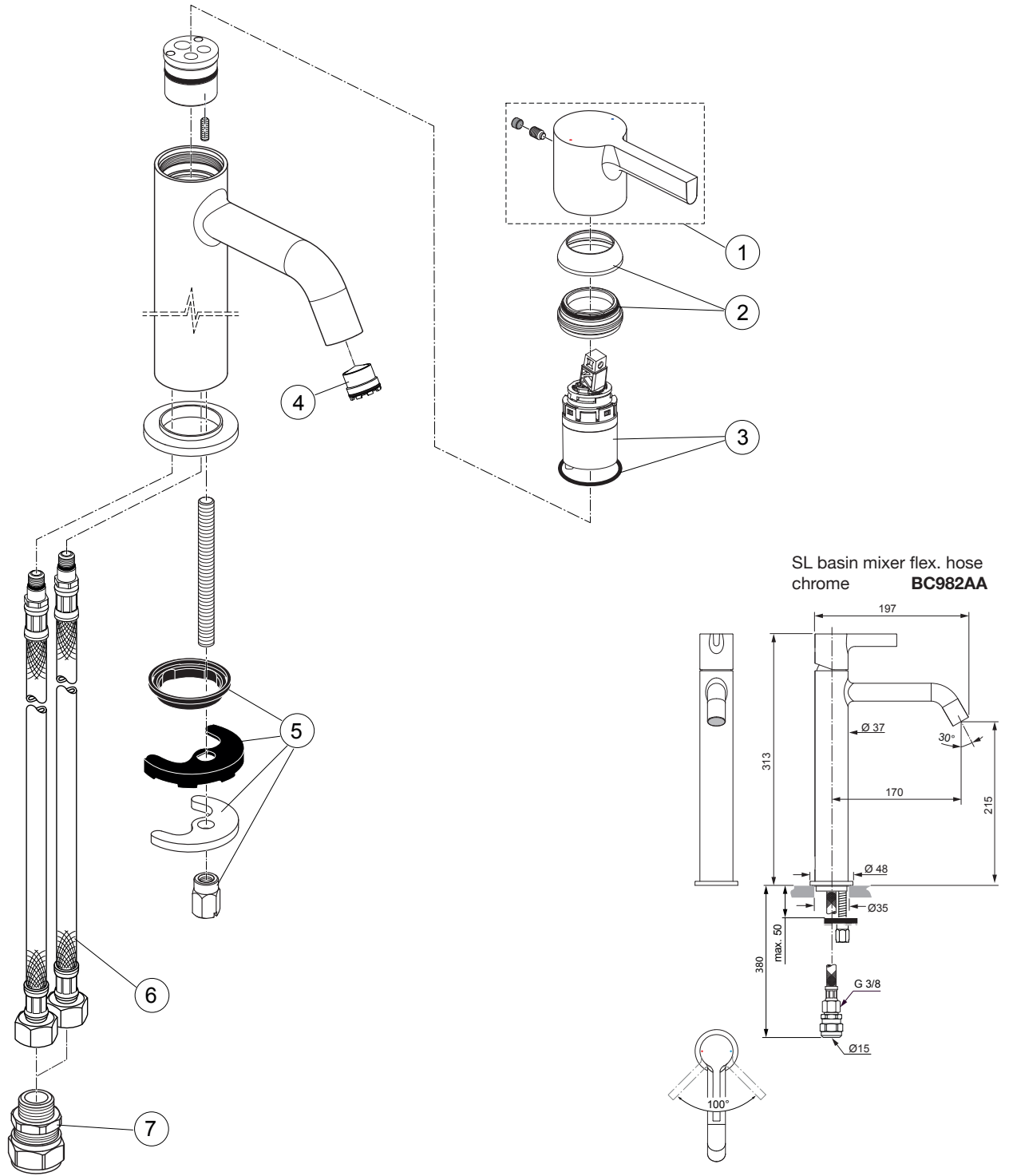


Produced since: **Nov. 2019**



**Replace XX with the appropriate finish code**

Chrome = AA Silver Storm = GN Gold = A2 Magnetic Grey = A5

**Example spare part order:**

**A 861 451 AA** in Chrome

Pos.	Description	Part-Number	Qty.	Pos.	Description	Part-Number	Qty.
1	Lever cpl. with R/B print	<b>A 861 451 XX</b>	1 Set				
2	Cover cap with O-ring	<b>A 861 417 XX</b>	1 pcs				
3	Cartridge Ø28 + O - Ring	<b>A 861 397 NU</b>	1 Set				
4	Aerator M16,5x1 w. Key	<b>A 960 197 NU*</b>	1 Set				
5	Fixation kit	<b>A 960 486 NU*</b>	1 Set				
6	Flex. hose M8x1-G3/8-620	<b>B 960 364 NU</b>	1 pcs				
7	Connector G3/8 D15	<b>B 960 845 NU</b>	2 pcs				

\*Universal set (not all parts needed)