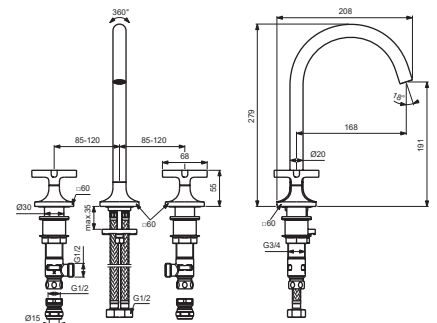
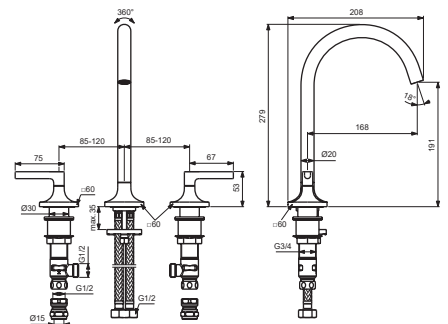


BD171XX



BD172XX



For XX:
 AA=chrome
 A5=magnetic grey

| Pos. | Signify | Spare parts-Nr. | Quantity | Pos. | Signify | Spare parts-Nr. | Quantity |
|------|---------------------------|-----------------|----------|------|---------|-----------------|----------|
| 1 | Handle cross-compl. | B961752XX | 1 Set | | | | |
| 1a | Handle lever-compl. | B961754XX | 1 Set | | | | |
| 2 | Adapter+screw | A861446NU | 1 Set | | | | |
| 3 | Ceramic valve G1/2,90°-LH | A861243NU* | 1 Set | | | | |
| 3a | Ceramic valve G1/2,90°-RH | A861244NU* | 1 Set | | | | |
| 4 | Flex hose G1/2-L400mm | B960389NU | 1 Pcs. | | | | |
| 5 | Fixation set | A964520NU | 1 Set | | | | |
| 6 | R spout-compl. | B961769XX | 1 Set | | | | |
| 7 | Aerator M16.5x1-5 l/min | A962708NU | 1 Pcs. | | | | |
| 7a | Flow straight M16.5x1 | B960500NU | 1 Pcs. | | | | |
| 8 | Coupler G1/2-compl. | A962499NU | 1 Set | | | | |