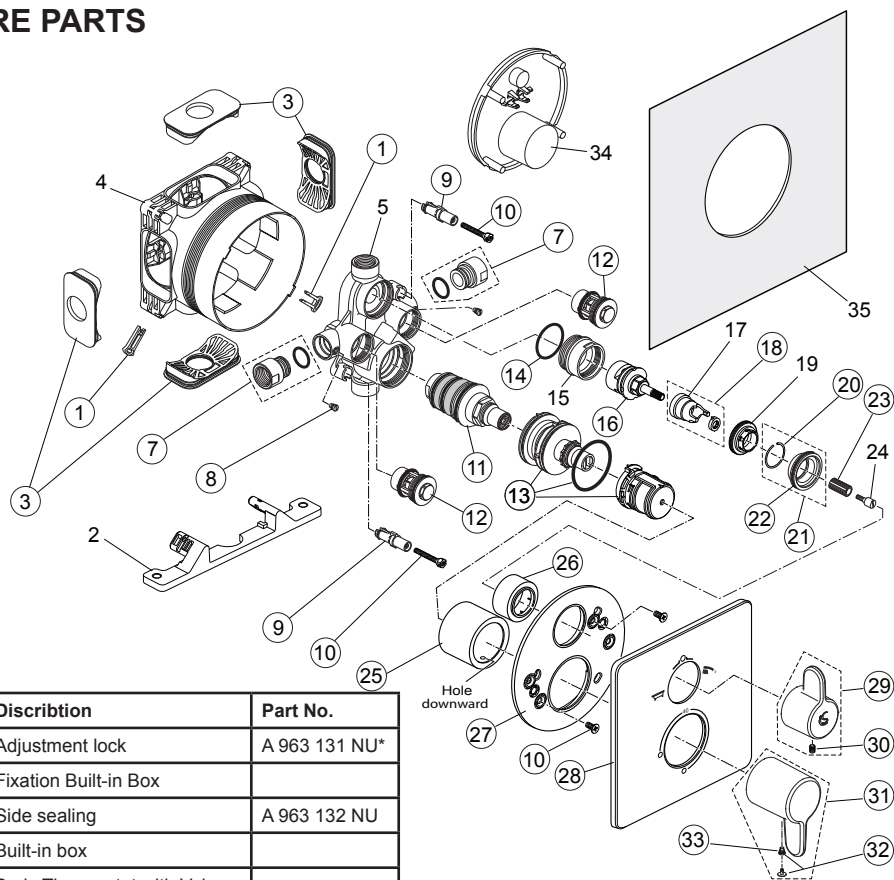
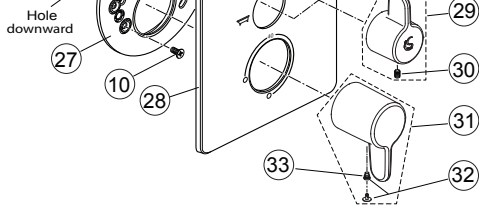


SPARE PARTS



Pos.	Discription	Part No.
1	Adjustment lock	A 963 131 NU*
2	Fixation Built-in Box	
3	Side sealing	A 963 132 NU
4	Built-in box	
5	Body Thermostat with Volume control	
7	Connection nipple cpl.	F 960 899 NU
8	Thread pin M5 x 5,5	A 961 183 NU
9	Adapter screw	F 960 903 NU
10	Screw set complete	F 960 904 NU*
11	Thermostat cartridge	F 960 905 NU
12	None-return valve DN20	F 960 906 NU
13	Temp.-adjustment compl.	A 963 427 NU*
14	O - ring Ø 31,47 x 1,78	A 963 154 NU
15	Thread ring M40 x 1,5	
16	Stop valve with diverter	A 962 480 NU
17	Clamp cover	
18	Clamp cover with washer	A 962 481 NU
19	Clamping nut M36 x 1	
20	Snap ring	A 962 368 NU
21	Holder f. escutcheon Vol.	F 960 909 NU

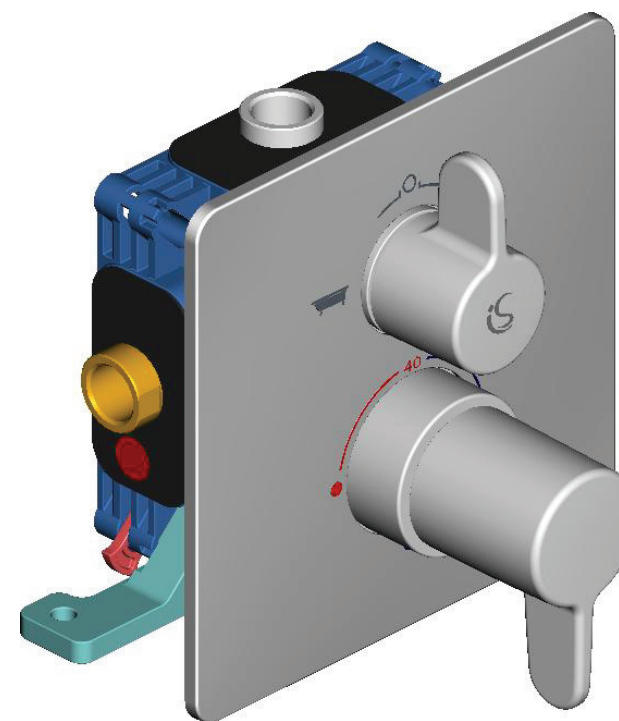


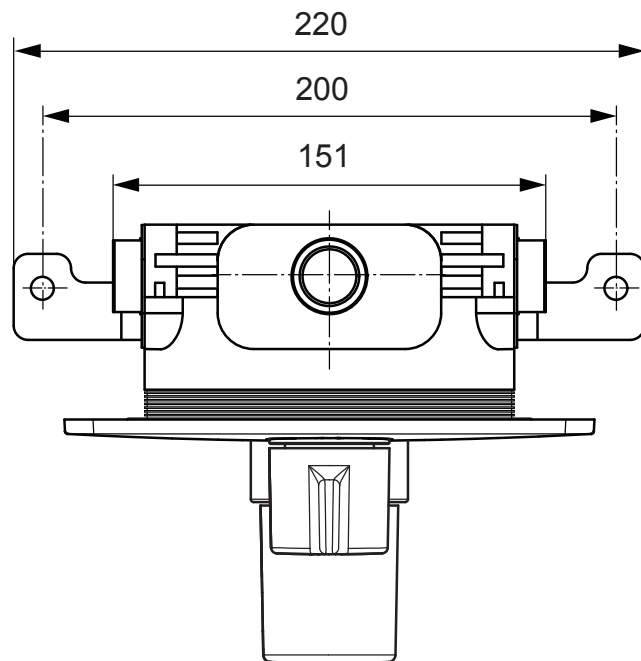
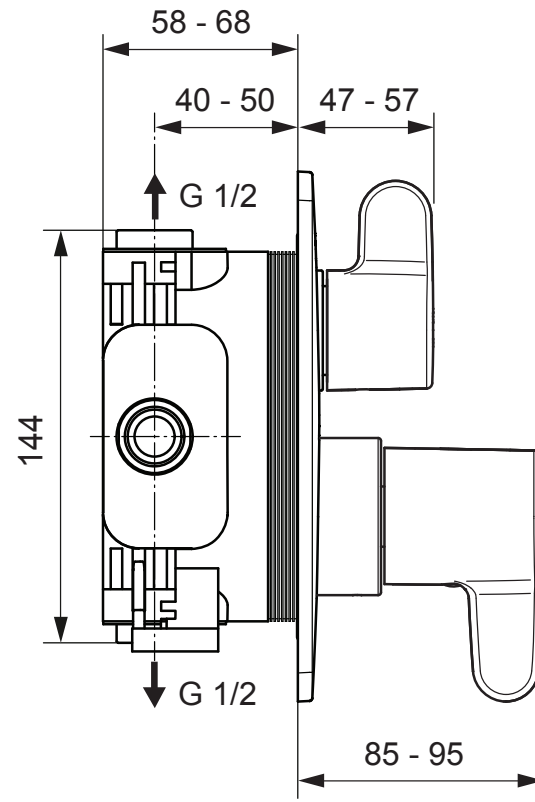
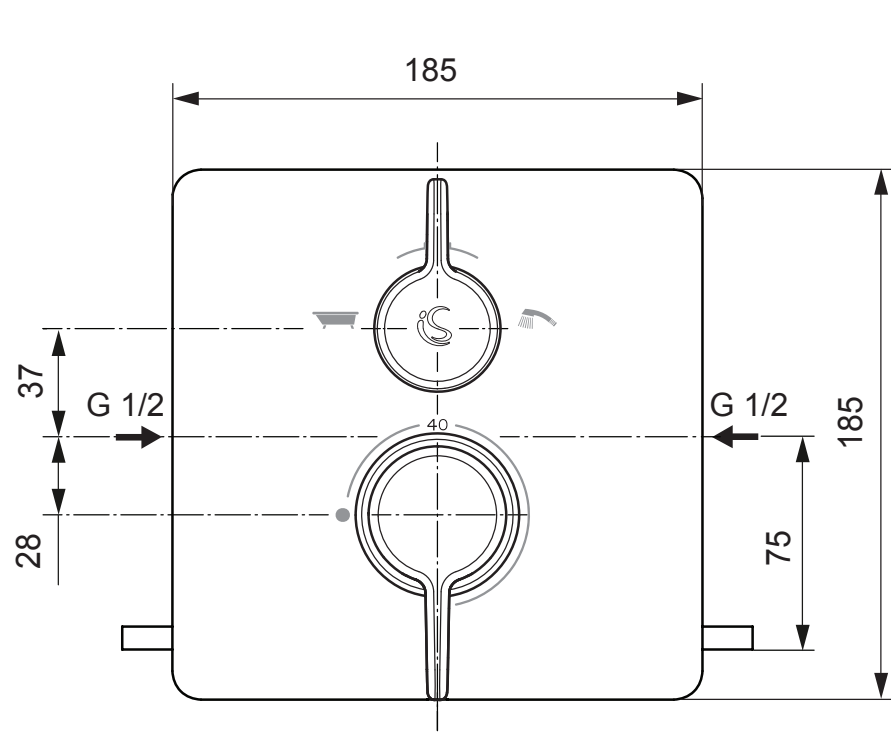
22	O - ring Ø 34 x 2	A 960 183 NU
23	Handle insert	A 963 196 NU
24	Fixation screw M4 / Ø8 / 22,5	
25	Cover / Cap Temperature	A 860 947 AA
26	Cover / Cap Volume Contr.	F 960 911 AA
27	Escutcheon holder compl.	F 960 912 NU
28	Escutcheon Temp./Volume	F 961 135 AA
29	Volume handle cpl.	A 860 948 AA
30	Thread pin M5 x 8 DIN913	A 960 229 NU
31	Handle Therm cpl.	A 860 949 AA
32	Cap + Screw	A 962 149 AA
33	Handle screw M5x5	A 961 095 NU
34	Cover for built-in box	
35	Sealing fleece	

* Universal-Set - not all parts are needed

BATH/SHOWER BUILT-IN THERMOSTAT

A 6379 AA





DIMENSIONS